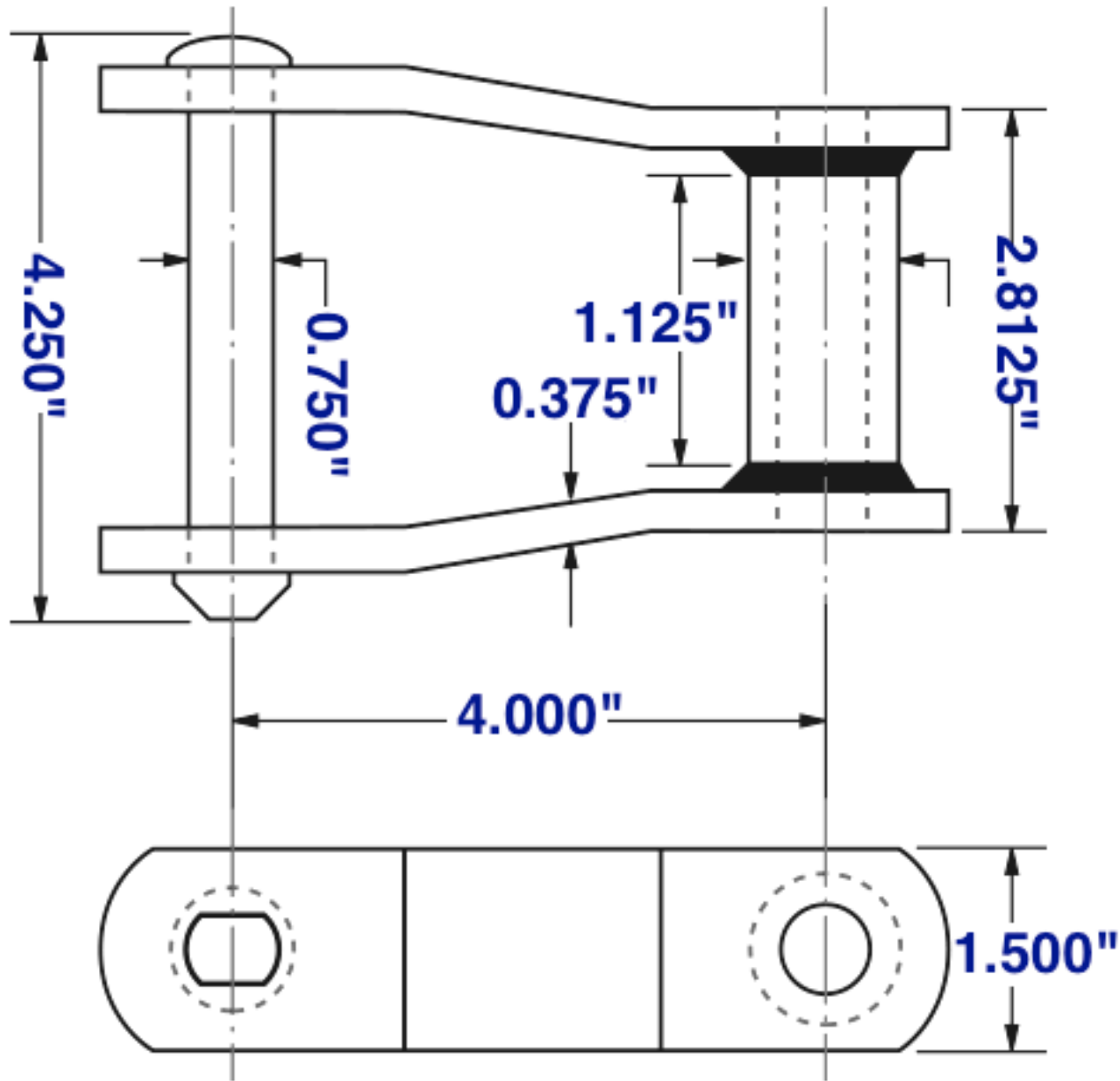




# Roller Chain & Sprockets



**WH124**

WH124 FULLY HEAT-TREATED WELDED STEEL CHAIN  
TENSILE STRENGTH: 60,000  
BREAKING LOAD: 7,300