

PRODUCT INFORMATION PACKET



Model No: A6C17EB20M

Catalog No: 111074.00

1/3HP..1725RPM.56.EPNV.V.1PH.60HZ.CONT.AUTOMATIC.40C.1.0SF.RIGID.EXPLOSION-
PROOF.A6C17EB20M

Explosion Proof



Regal and Leeson are trademarks of Regal Beloit Corporation or one of its affiliated companies.

©2018 Regal Beloit Corporation, All Rights Reserved. MC017097E



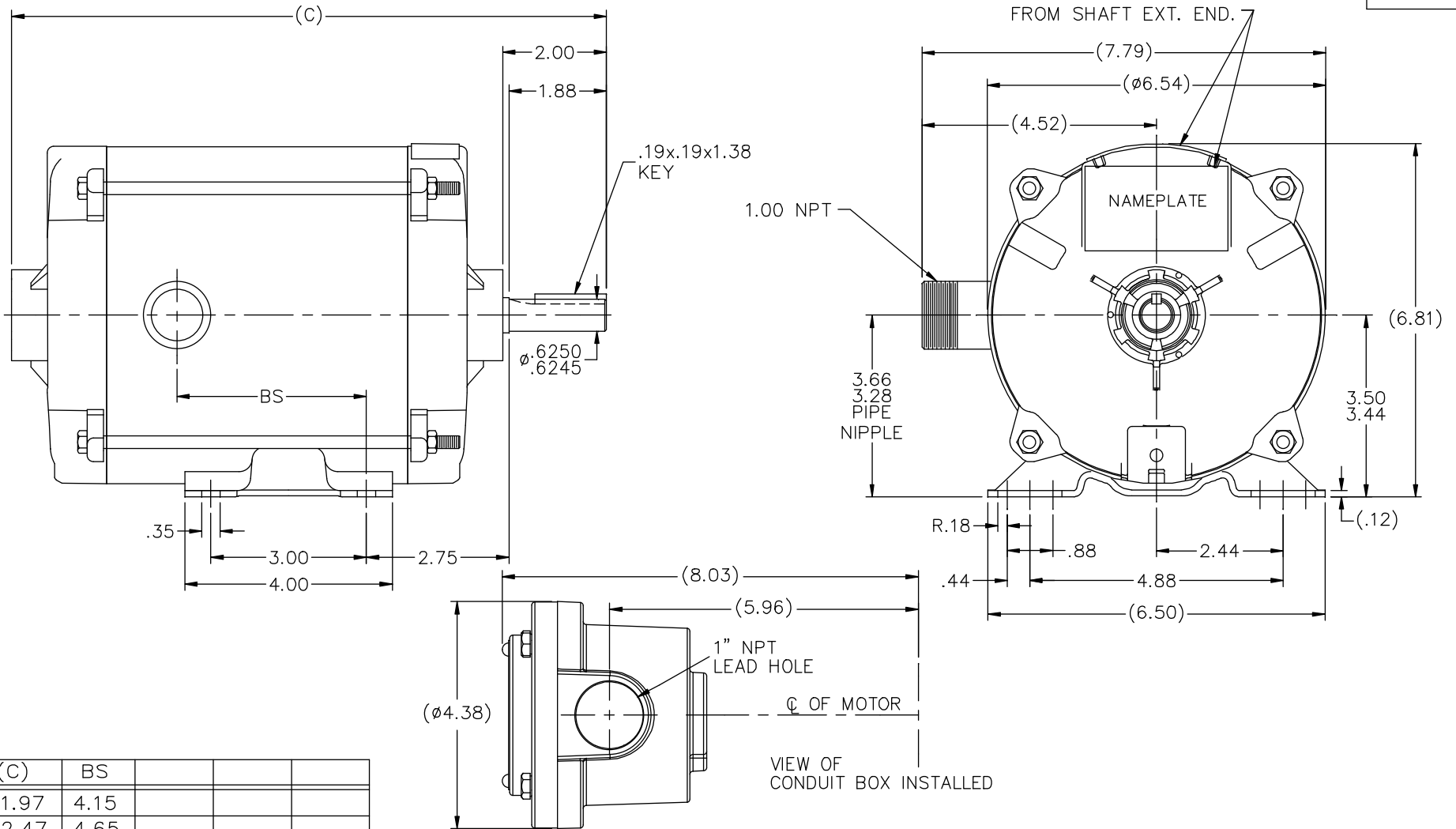


Nameplate Specifications


Output HP	0.33 Hp	Output KW	0.25 kW
Frequency	60 Hz	Voltage	115/208-230 V
Current	5.8/2.8-2.9 A	Speed	1725 rpm
Service Factor	1	Phase	1
Efficiency	66 %	Duty	Continuous
Insulation Class	B	Design Code	N
KVA Code	N	Frame	56
Enclosure	Explosion Proof Non Ventilated	Overload Protector	Automatic
Ambient Temperature	40 °C	Drive End Bearing Size	6203
Opp Drive End Bearing Size	6203	UL	Recognized
CSA	Y	CE	N
IP Code	54		

Technical Specifications

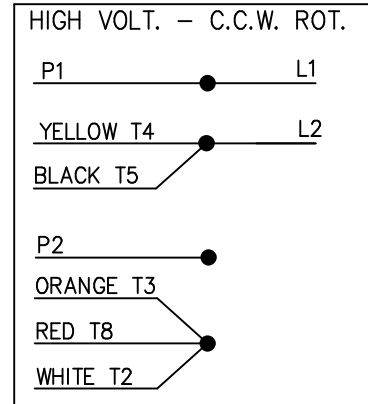
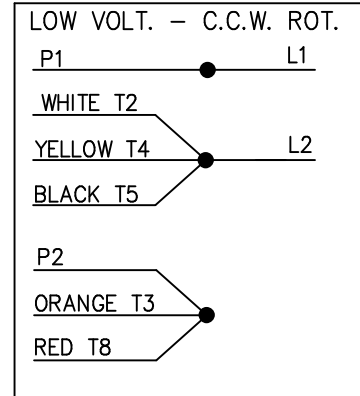
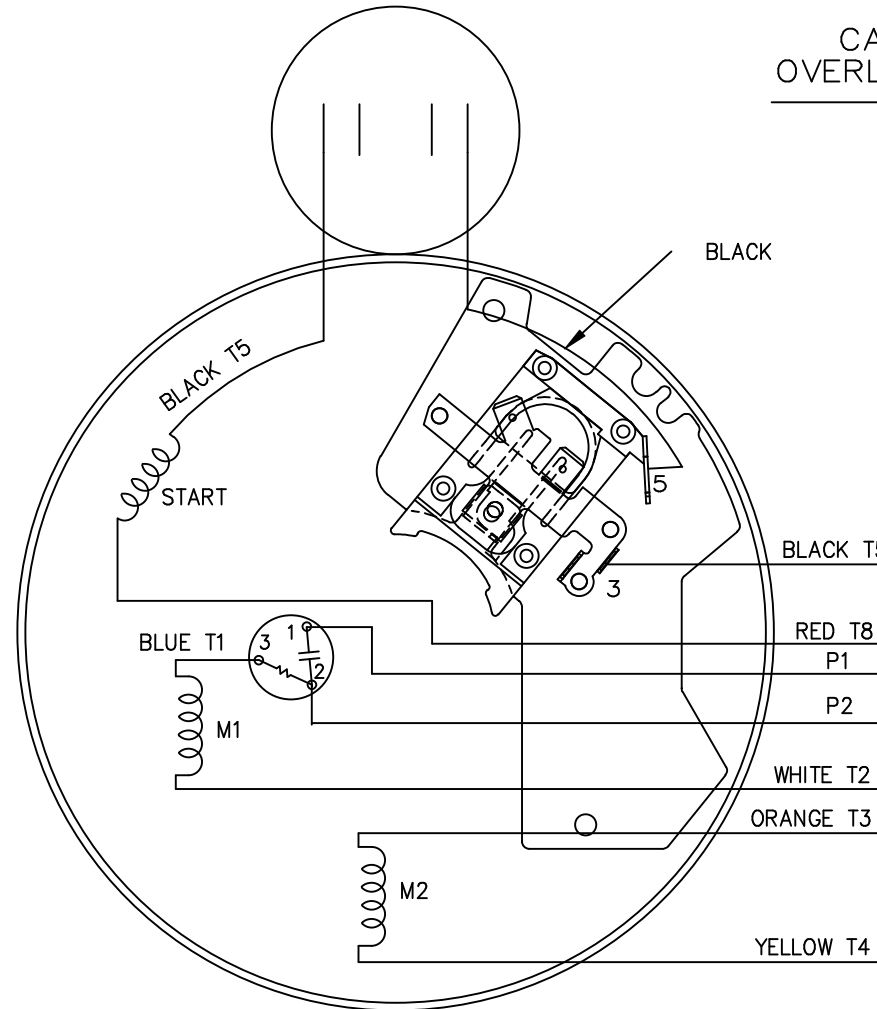
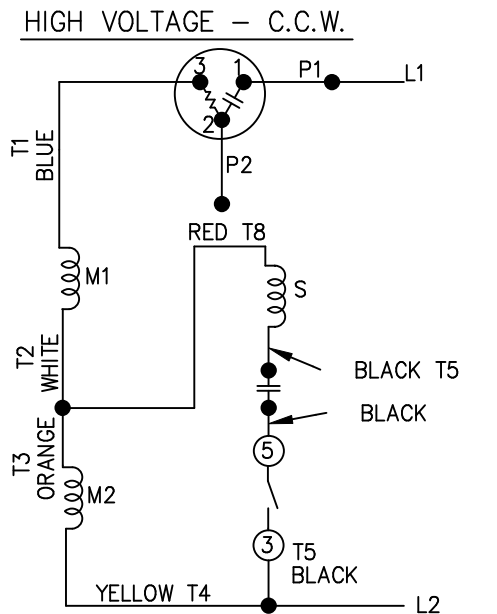
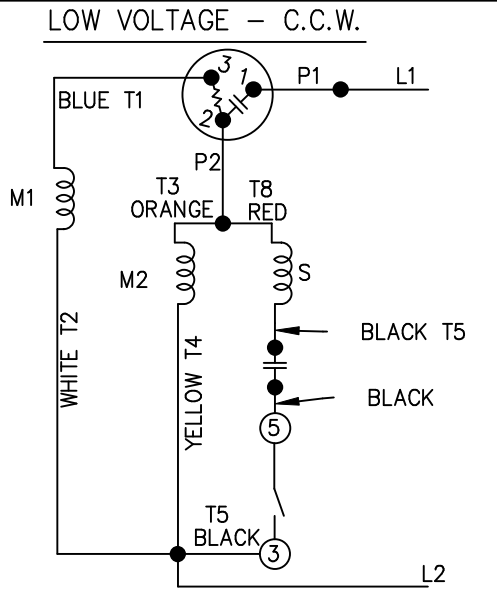
Electrical Type	Capacitor Start Induction Run	Starting Method	Across The Line
Poles	4	Rotation	Selective Counterclockwise
Mounting	Rigid base	Motor Orientation	HORIZONTAL
Drive End Bearing	BALL	Opp Drive End Bearing	BALL
Frame Material	Rolled Steel	Shaft Type	NEMA 56
Overall Length	12.97 in	Frame Length	7.31 in
Shaft Diameter	0.625 in	Shaft Extension	1.88 in
Assembly/Box Mounting	F1 ONLY		
Outline Drawing	B-104196LE-731	Connection Diagram	A-102005-84-LE




DASH	(C)	BS		
631	11.97	4.15		
681	12.47	4.65		
731	12.97	5.15		
781	13.47	5.65		
831	13.97	6.15		
881	14.47	6.65		
931	14.97	7.15		
981	15.47	7.65		

				TOLERANCES UNLESS SPECIFIED			ELECTRIC MOTORS GEARMOTORS AND DRIVES	DRAWN RJW 06-22-2007	
				DEC.	INCHES			CHK	ML
				.X	±.1			APPD	GK 06-22-2007
				.XX	±.03	TITLE	OUTLINE	SCALE	17=32
				.XXX	±.005	56 FRAME - EXP. PR. - TENV - 1∅ & 3∅		REF	
1	COND. BOX INSTALLED VIEW UPDATED PER ECR-0044571	UD	10/15/13	.XXXX	±.0005	MAT'L.		FMF	
NO.	REVISION	BY & DATE		CHK	ANG	FINISH		PREV	
THIS DRAWING IN DESIGN AND DETAIL IS OUR PROPERTY AND MUST NOT BE USED EXCEPT IN CONNECTION WITH OUR WORK ALL RIGHTS OF DESIGN AND INVENTION ARE RESERVED THIS IS AN ELECTRONICALLY GENERATED DOCUMENT - DO NOT SCALE THIS PRINT				RFP	06-22-2007	CAD FILE	104196LE	SIZE	DRAWING NO. PAGE OF REV.
				DIST	WP			B	104196LE 1

DUAL VOLTAGE
CAPACITOR START
OVERLOAD SELECT ROT.



FOR C.W. ROTATION
EITHER VOLTAGE
INTERCHANGE RED(T8)
WITH BLACK(T5) LEAD

				TOLERANCES UNLESS SPECIFIED		 ELECTRIC MOTORS GEARMOTORS AND DRIVES	DRAWN VL 08-08-2007
				DEC.	INCHES		CHK
				.X	±.1		APPD
				.XX	±.02		SCALE 5=8
				.XXX	±.005		REF
1	REV'D CONNECTION TO MATCH ROTATION ISAAC 07-2021	JJB 09/05/2007	ML	.XXXX	±.0005	MAT'L.	FMF 56M1072
NO.	REVISION	BY & DATE	CHK	ANG	±7'30"	FINISH	PREV
THIS DRAWING IN DESIGN AND DETAIL IS OUR PROPERTY AND MUST NOT BE USED EXCEPT IN CONNECTION WITH OUR WORK ALL RIGHTS OF DESIGN AND INVENTION ARE RESERVED THIS IS AN ELECTRONICALLY GENERATED DOCUMENT - DO NOT SCALE THIS PRINT				RFP	CAD FILE 102005_84_LE		SIZE A
				DIST WP			DRAWING NO. 102005-84-LE
							PAGE OF 1
							REV. 1



LEESON ELECTRIC CORPORATION
TYPICAL PERFORMANCE CURVE for AC MOTOR

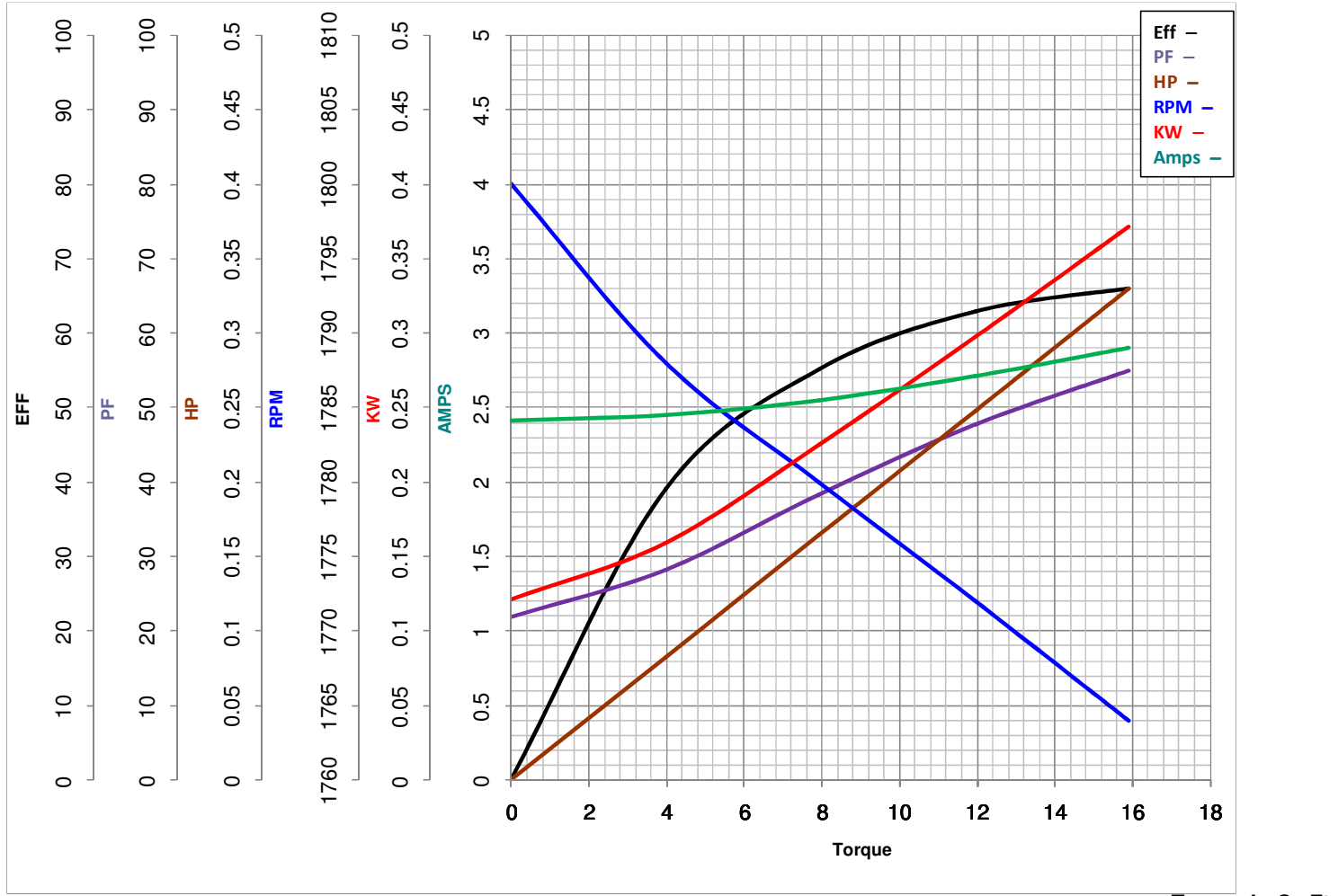
Curve at 230 Volts HP 0.33 PHASE 1
60 HZ
0.33 HP VOLTS 115/208-230

Model No 111074.00

Catalog No 111074.00

HZ 60

RPM 1725



Torque in Oz.Ft

FL TORQUE 15.9 Oz.Ft
BD TORQUE 61.2 Oz.Ft
LR TORQUE 58.1 Oz.Ft

FL AMPS 5.8/2.8-2.9
PU TORQUE 52.9 Oz.Ft
LR AMPS 16.8

WINDING ZC4172-3

Date 4/23/2018