

PRODUCT INFORMATION PACKET



Model No: A6C17XB22H

Catalog No: 111084.00

1/2HP..1725RPM.56H.EPFC./V.1PH.60HZ.CONT.AUTOMATIC.40C.1.0SF.RIGID.EXPLOSION-
PROOF.A6C17XB22H

Explosion Proof



Regal and Leeson are trademarks of Regal Beloit Corporation or one of its affiliated companies.

©2018 Regal Beloit Corporation, All Rights Reserved. MC017097E



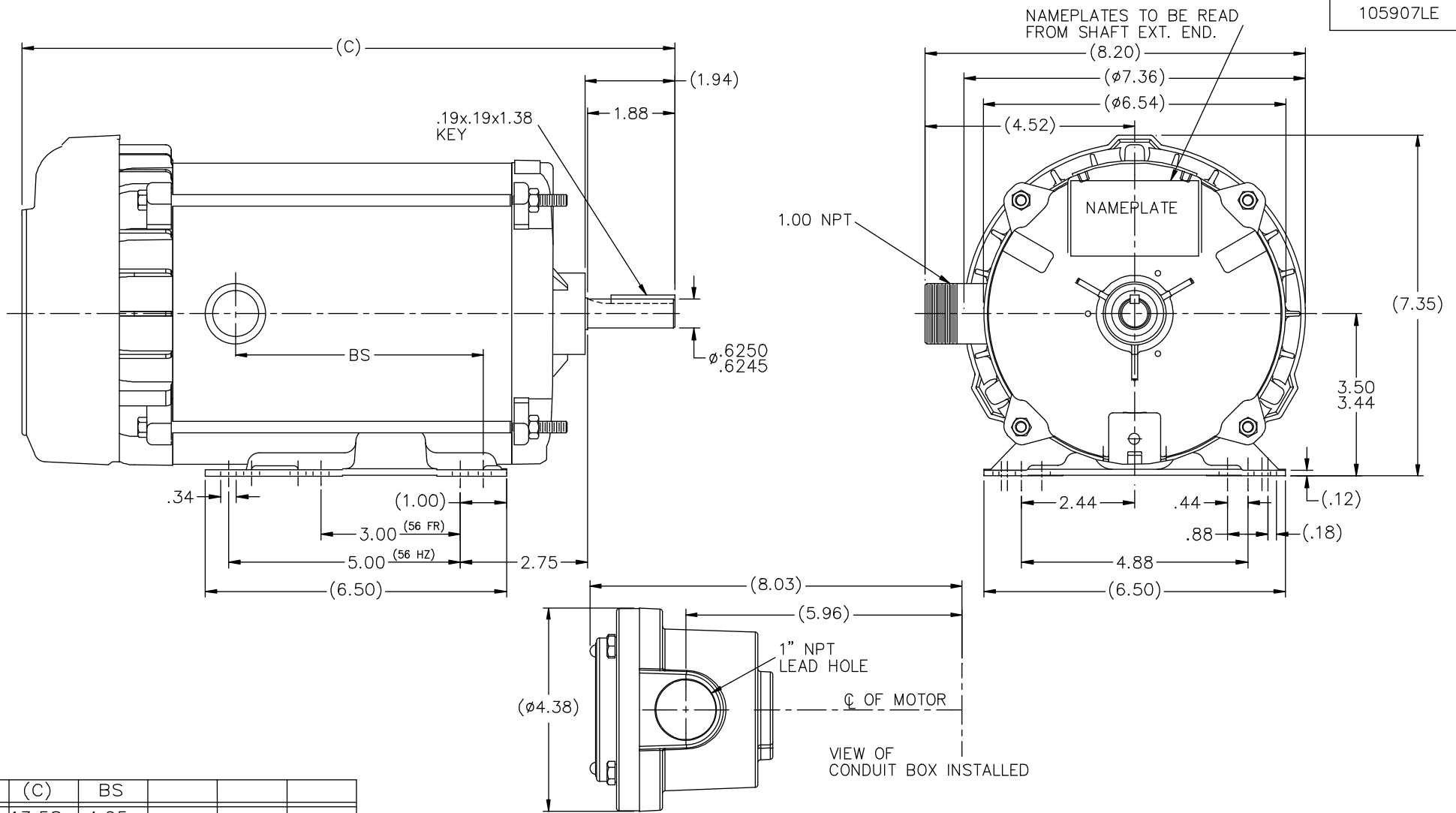


Nameplate Specifications

Output HP	0.50 Hp	Output KW	0.37 kW
Frequency	60 Hz	Voltage	115/208-230 V
Current	8.8/4.2-4.4 A	Speed	1725 rpm
Service Factor	1	Phase	1
Efficiency	66 %	Duty	Continuous
Insulation Class	B	Design Code	N
KVA Code	L	Frame	56H
Enclosure	Explosion Proof Fan cooled	Overload Protector	Automatic
Ambient Temperature	40 °C	Drive End Bearing Size	6203
Opp Drive End Bearing Size	6203	UL	Recognized
CSA	Y	CE	N
IP Code	54		

Technical Specifications

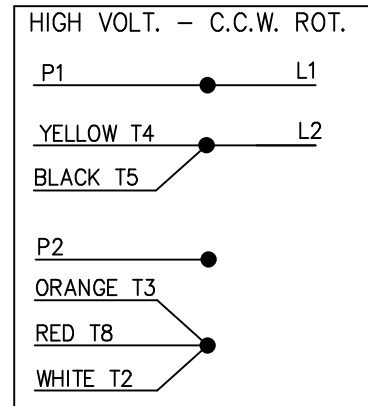
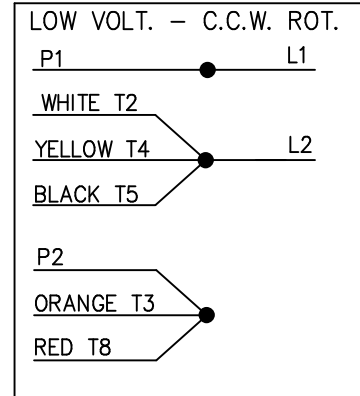
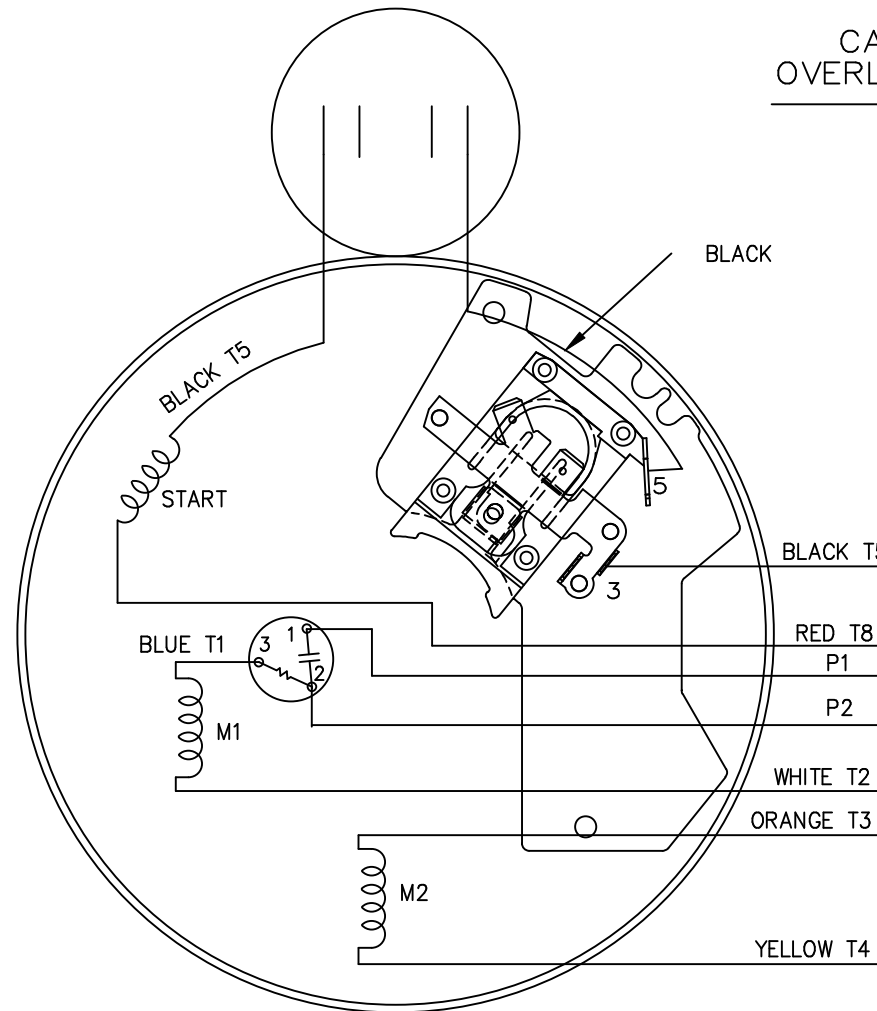
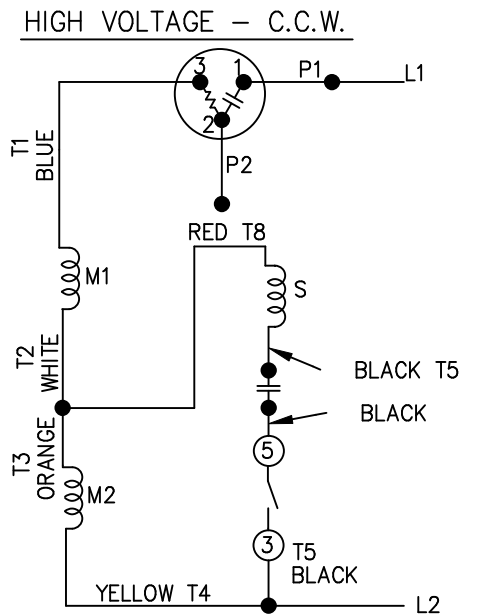
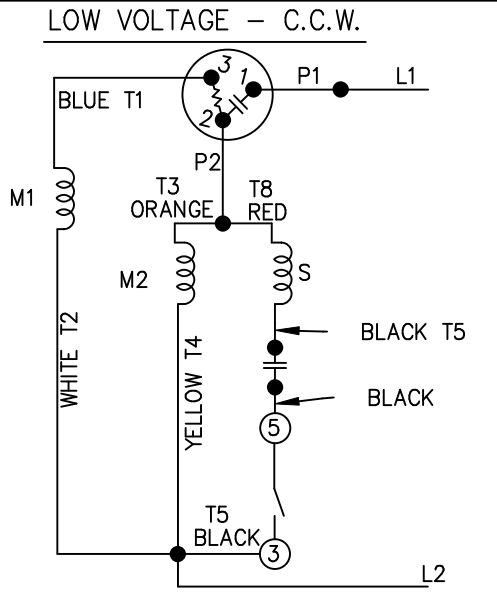
Electrical Type	Capacitor Start Induction Run	Starting Method	Across The Line
Poles	4	Rotation	Selective Counterclockwise
Mounting	Rigid base	Motor Orientation	HORIZONTAL
Drive End Bearing	BALL	Opp Drive End Bearing	BALL
Frame Material	Rolled Steel	Shaft Type	NEMA 56
Overall Length	13.58 in	Frame Length	6.81 in
Shaft Diameter	0.625 in	Shaft Extension	1.88 in
Assembly/Box Mounting	F1 ONLY		
Outline Drawing	B-105907LE-681	Connection Diagram	A-102005-84-LE



DASH	(C)	BS			
681	13.58	4.65			
731	14.08	5.15	SHOWN		
781	14.58	5.65			
831	15.08	6.15			
881	15.58	6.65			
931	16.08	7.15			
981	16.58	7.65			

		TOLERANCES UNLESS SPECIFIED		LEESON ELECTRIC MOTORS GEARMOTORS AND DRIVES		DRAWN VL 08-27-2007
		DEC.	INCHES			CHK VL 12-07-07
		.X	±.1			APPD VL 08-27-2007
		.XX	±.03	TITLE OUTLINE		SCALE 1=2
2	COND. BOX INSTALLED VIEW UPDATED PER ECR-0044571 UD 10/16/13 ST .XXX ±.005			56H FR. - EXP. PR. - TEFC - 1φ & 3φ		REF
1	REVISED BASE & BRACKET 08-1256 RJW 03-25-2008 ML .XXXX ±.0005			MAT'L.		FMF
NO.	REVISION	BY & DATE	CHK	ANG	FINISH	PREV
THIS DRAWING IN DESIGN AND DETAIL IS OUR PROPERTY AND MUST NOT BE USED EXCEPT IN CONNECTION WITH OUR WORK ALL RIGHTS OF DESIGN AND INVENTION ARE RESERVED THIS IS AN ELECTRONICALLY GENERATED DOCUMENT - DO NOT SCALE THIS PRINT				RFP	CAD FILE 105907LE	SIZE DRAWING NO. PAGE OF REV.
				DIST WP	B	105907LE 2

DUAL VOLTAGE
CAPACITOR START
OVERLOAD SELECT ROT.



FOR C.W. ROTATION
EITHER VOLTAGE
INTERCHANGE RED(T8)
WITH BLACK(T5) LEAD

TOLERANCES UNLESS SPECIFIED	
DEC.	INCHES
.X	±.1
.XX	±.02
.XXX	±.005



ELECTRIC MOTORS
GEARMOTORS
AND DRIVES

DRAWN	VL 08-08-2007
CHK	
APPD	
SCALE	5=8
REF	
FMF	56M1072
PREV	

TITLE CONNECTION DIAGRAM

1	REV'D CONNECTION TO MATCH ROTATION ISAAC 07-2021	JJB 09/05/2007	ML	.XXXX	±.0005	MAT'L.
NO.	REVISION	BY & DATE	CHK	ANG	±7'30"	FINISH

THIS DRAWING IN DESIGN AND DETAIL IS OUR PROPERTY AND MUST NOT BE USED EXCEPT IN CONNECTION WITH OUR WORK ALL RIGHTS OF DESIGN AND INVENTION ARE RESERVED THIS IS AN ELECTRONICALLY GENERATED DOCUMENT - DO NOT SCALE THIS PRINT

RFP	CAD FILE 102005_84_LE
DIST WP	

SIZE	DRAWING NO.	PAGE	OF	REV.
A	102005-84-LE			1



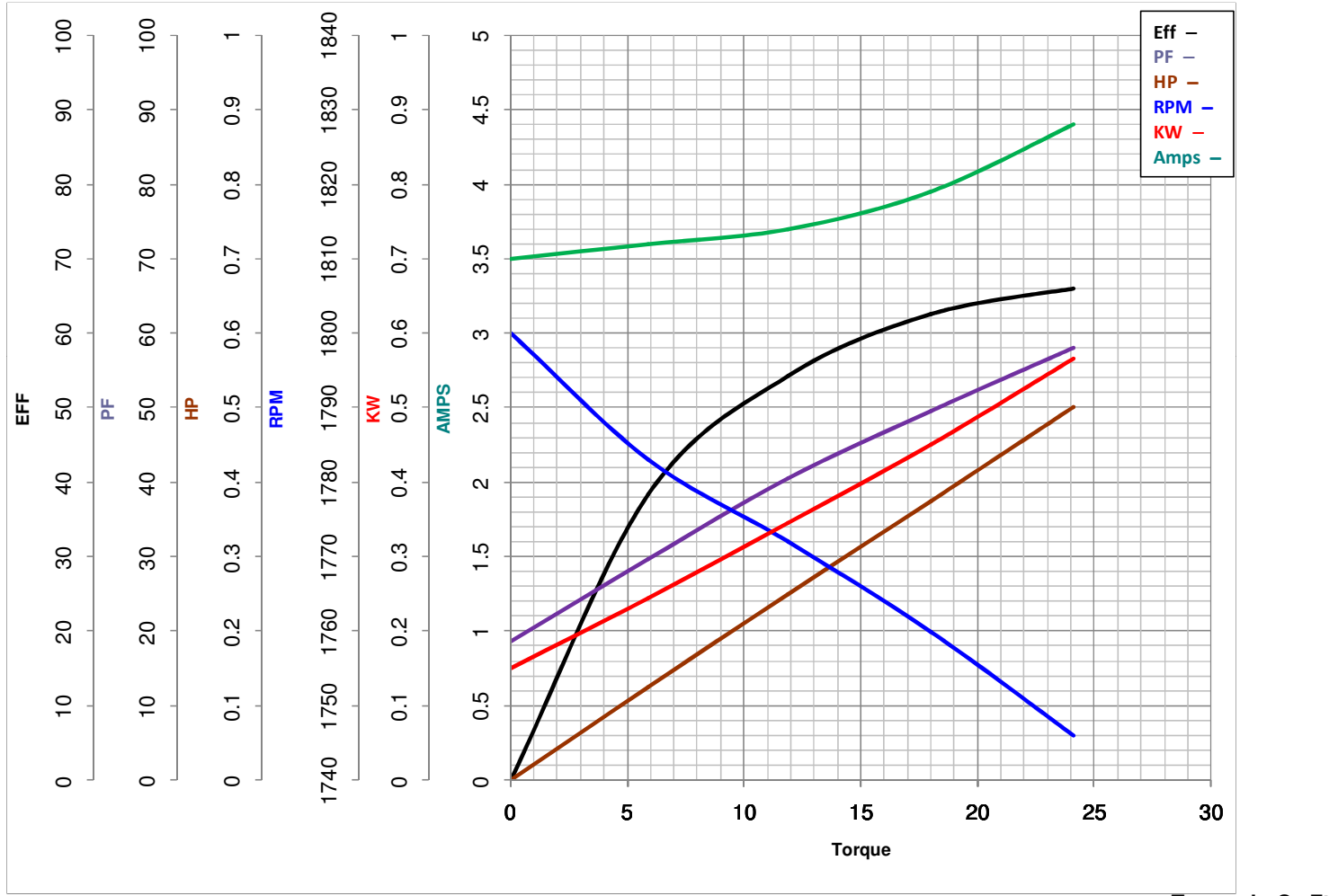
LEESON ELECTRIC CORPORATION
 TYPICAL PERFORMANCE CURVE for AC MOTOR

Model No 111084.00

Catalog No 111084.00

Curve at 230 Volts HP 0.50 PHASE 1
60 HZ
0.5 HP VOLTS 115/208-230

HZ 60 RPM 1725



Torque in Oz.Ft

FL TORQUE	<u>24.1</u>	Oz.Ft	FL AMPS	<u>8.8/4.2-4.4</u>
BD TORQUE	<u>72.3</u>	Oz.Ft	PU TORQUE	<u>61.2</u> Oz.Ft
LR TORQUE	<u>83.8</u>	Oz.Ft	LR AMPS	<u>21.3</u>
WINDING	ZC404-3		Date	3/23/2018