

PRODUCT INFORMATION PACKET



Model No: A6C17XC20L

Catalog No: 110852.00

1HP..1725RPM.56.EPFC./V.1PH.60HZ.CONT.AUTOMATIC.40C.1.0SF.ROUND.EXPLOSION-
PROOF.A6C17XC20L

Explosion Proof



Regal and Leeson are trademarks of Regal Beloit Corporation or one of its affiliated companies.

©2018 Regal Beloit Corporation, All Rights Reserved. MC017097E





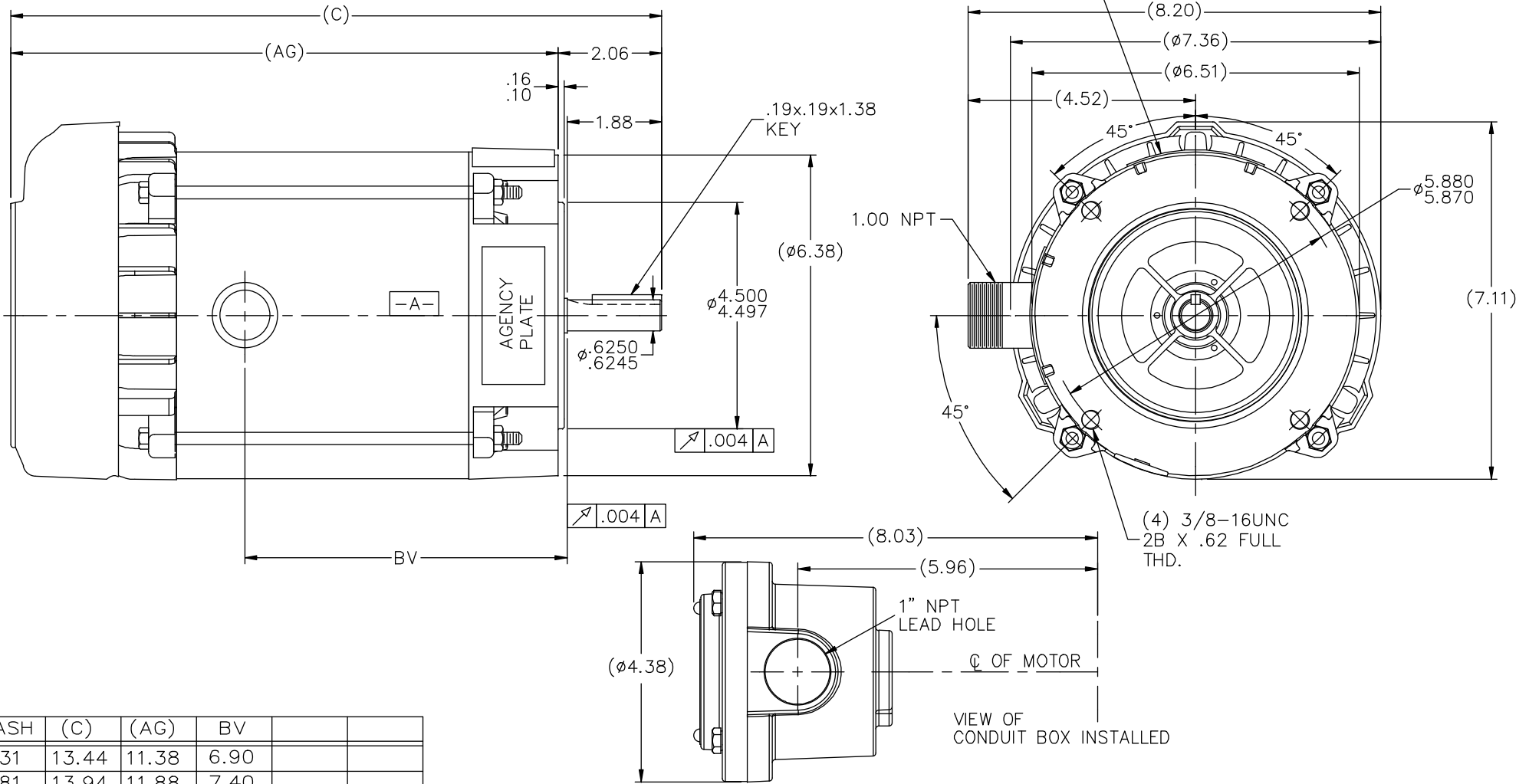
Nameplate Specifications

Output HP	1 Hp	Output KW	0.75 kW
Frequency	60 Hz	Voltage	115/208-230 V
Current	13.4/6.8-6.7 A	Speed	1725 rpm
Service Factor	1	Phase	1
Efficiency	72 %	Duty	Continuous
Insulation Class	B	Design Code	N
KVA Code	J	Frame	56C
Enclosure	Explosion Proof Fan cooled	Overload Protector	Automatic
Ambient Temperature	40 °C	Drive End Bearing Size	6203
Opp Drive End Bearing Size	6203	UL	Recognized
CSA	Y	CE	N
IP Code	54		

Technical Specifications

Electrical Type	Capacitor Start Induction Run	Starting Method	Across The Line
Poles	4	Rotation	Selective Counterclockwise
Mounting	Round	Motor Orientation	HORIZONTAL
Drive End Bearing	BALL	Opp Drive End Bearing	BALL
Frame Material	Rolled Steel	Shaft Type	NEMA 56
Overall Length	14.44 in	Frame Length	7.31 in
Shaft Diameter	0.625 in	Shaft Extension	1.88 in
Assembly/Box Mounting	F1 ONLY		
Outline Drawing	B-104188LE-731	Connection Diagram	A-102005-84-LE

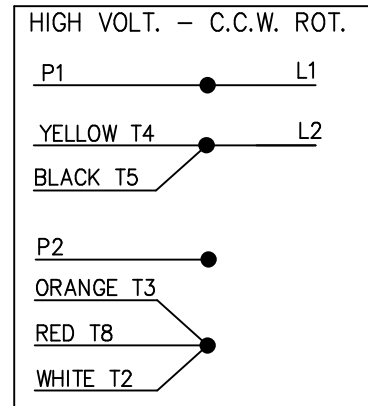
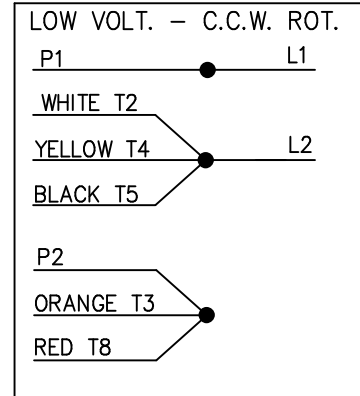
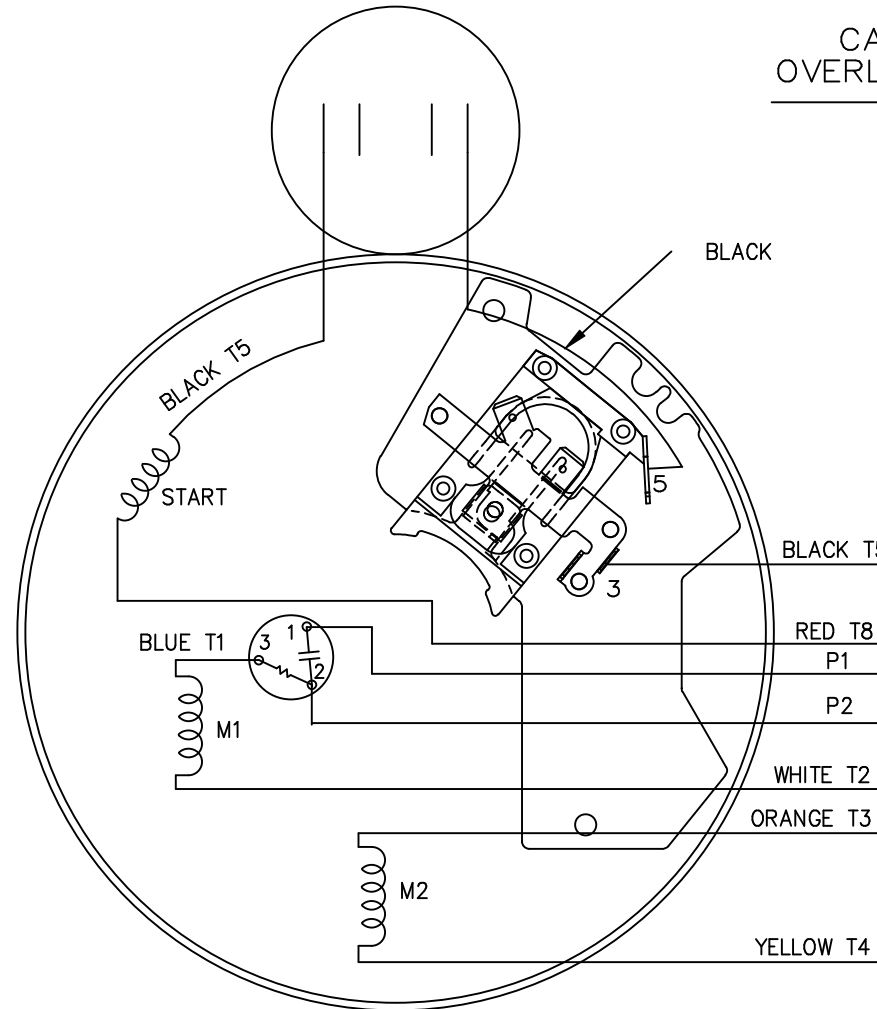
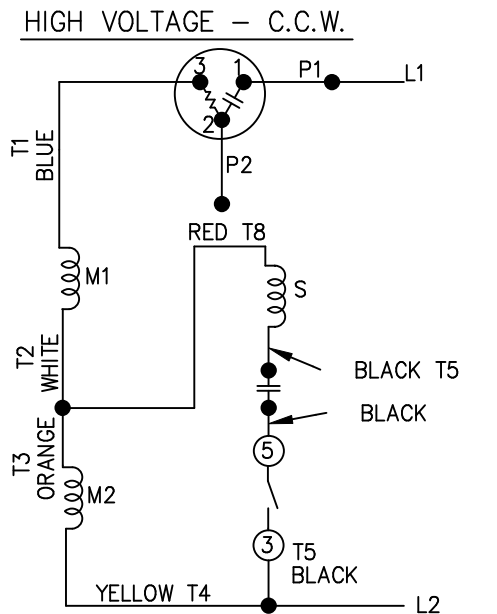
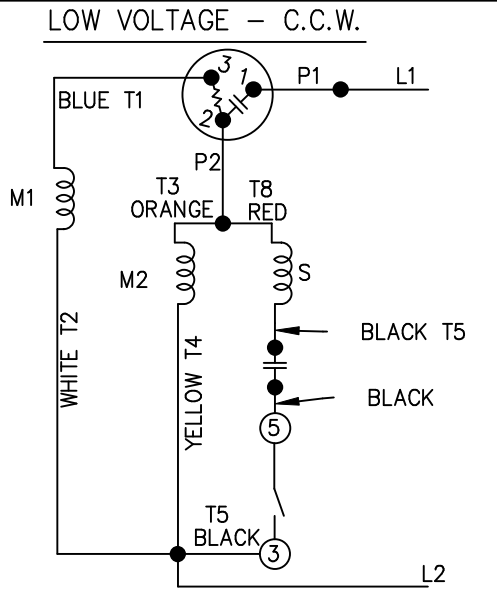
NAMEPLATES TO BE READ FROM SHAFT EXT. END.



DASH	(C)	(AG)	BV		
631	13.44	11.38	6.90		
681	13.94	11.88	7.40		
731	14.44	12.38	7.90		
781	14.94	12.88	8.40		
831	15.44	13.38	8.90		
881	15.94	13.88	9.40		
931	16.44	14.38	9.90		
981	16.94	14.88	10.40		

		TOLERANCES UNLESS SPECIFIED		LEESON ELECTRIC MOTORS GEARMOTORS AND DRIVES		DRAWN RJW 06-22-2007	
		DEC.	INCHES			CHK	ML 06-22-2007
		.X	±.1	TITLE OUTLINE - 'C' FACE		SCALE 17=32	
		.XX	±.03	56 FR. - EXP. PR.		REF	
		.XXX	±.005	MAT'L.		PREV	
01	COND. BOX INSTALLED VIEW UPDATED PER ECR-0044571	UD	10/10/13	ST	.XXXX ±.0005	FMF	
NO.	REVISION	BY & DATE		CHK	ANG ±7'30"	FINISH	
THIS DRAWING IN DESIGN AND DETAIL IS OUR PROPERTY AND MUST NOT BE USED EXCEPT IN CONNECTION WITH OUR WORK ALL RIGHTS OF DESIGN AND INVENTION ARE RESERVED THIS IS AN ELECTRONICALLY GENERATED DOCUMENT - DO NOT SCALE THIS PRINT				RFP	06-22-2007	CAD FILE	104188LE
				DIST	WP	SIZE	DRAWING NO. PAGE OF REV. B 104188LE 01

DUAL VOLTAGE
CAPACITOR START
OVERLOAD SELECT ROT.



FOR C.W. ROTATION
EITHER VOLTAGE
INTERCHANGE RED(T8)
WITH BLACK(T5) LEAD

TOLERANCES
UNLESS SPECIFIED

DEC. INCHES

.X ±.1

.XX ±.02

.XXX ±.005

ML .XXXX ±.0005

CHK ANG ±7'30"



ELECTRIC MOTORS
GEARMOTORS
AND DRIVES

TITLE CONNECTION DIAGRAM

DRAWN VL 08-08-2007

CHK

APPD

SCALE 5=8

REF

FMF 56M1072

PREV

1	REV'D CONNECTION TO MATCH ROTATION ISAAC 07-2021	JJB 09/05/2007	ML	.XXXX	±.0005	MAT'L.
NO.	REVISION	BY & DATE	CHK	ANG	±7'30"	FINISH

THIS DRAWING IN DESIGN AND DETAIL IS OUR PROPERTY AND MUST NOT BE USED EXCEPT IN CONNECTION WITH OUR WORK ALL RIGHTS OF DESIGN AND INVENTION ARE RESERVED THIS IS AN ELECTRONICALLY GENERATED DOCUMENT - DO NOT SCALE THIS PRINT

RFP

DIST WP

CAD FILE 102005_84_LE

SIZE

A

DRAWING NO. PAGE OF

102005-84-LE 1

REV.

1



LEESON ELECTRIC CORPORATION
TYPICAL PERFORMANCE CURVE for AC MOTOR

Model No 110852.00

Curve at 230
60
1

Volts
HZ
HP

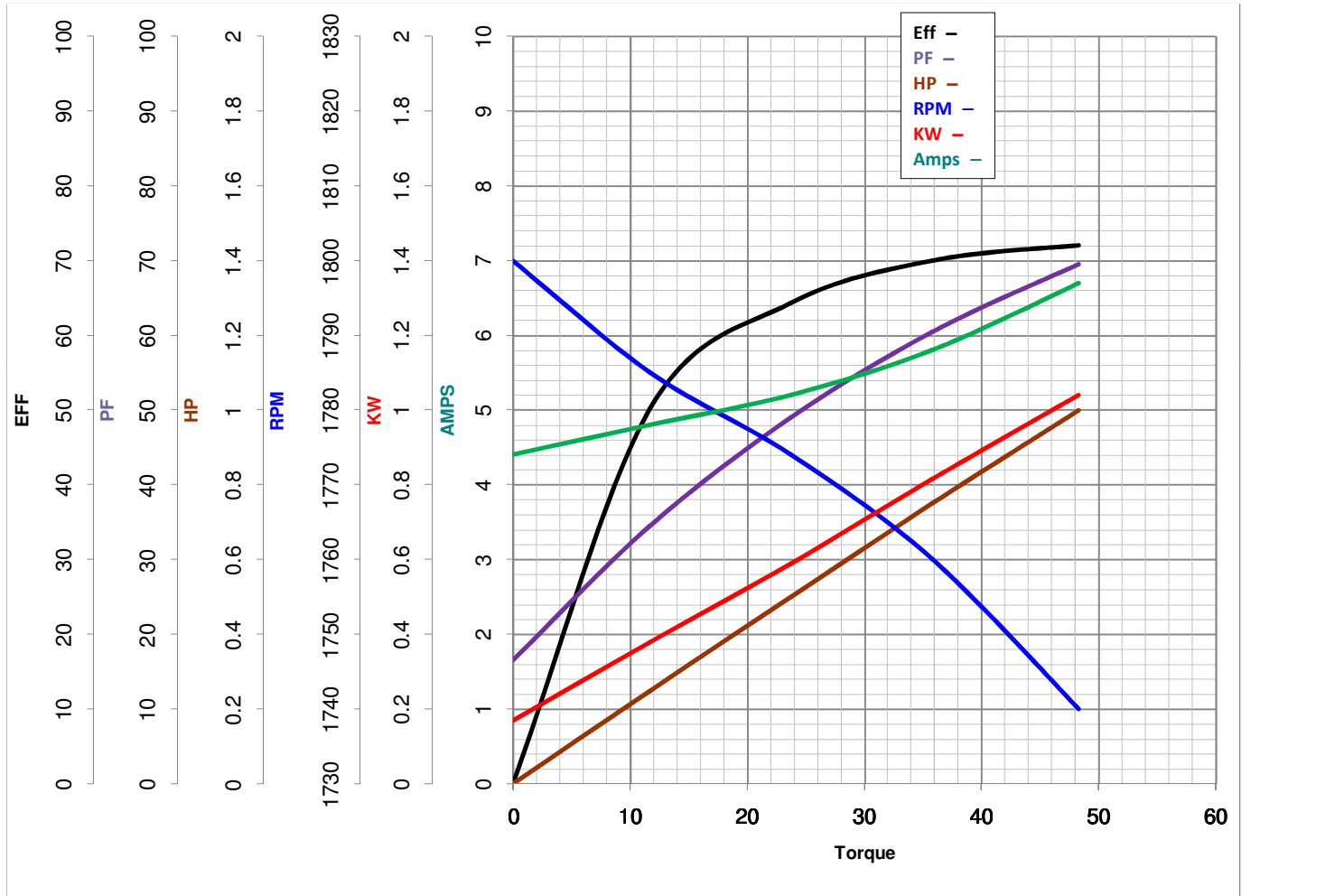
HP 1.00
VOLTS 115/208-230

PHASE 1

Catalog No 110852.00

HZ 60

RPM 1725



FL TORQUE	<u>48.3</u>	Oz.Ft	FL AMPS	<u>13.4/6.8-6.7</u>	
BD TORQUE	<u>122.0</u>	Oz.Ft	PU TORQUE	<u>101.0</u>	Oz.Ft
LR TORQUE	<u>142.5</u>	Oz.Ft	LR AMPS	<u>34.7</u>	
WINDING	ZC407-3		Date	3/13/2018	