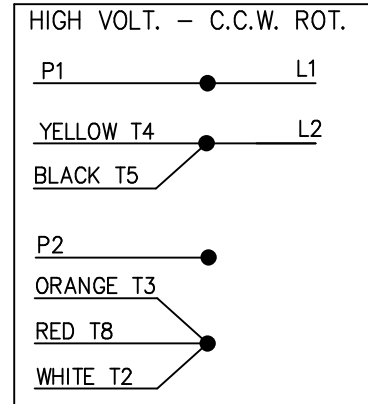
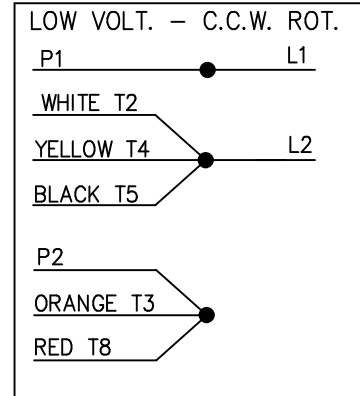
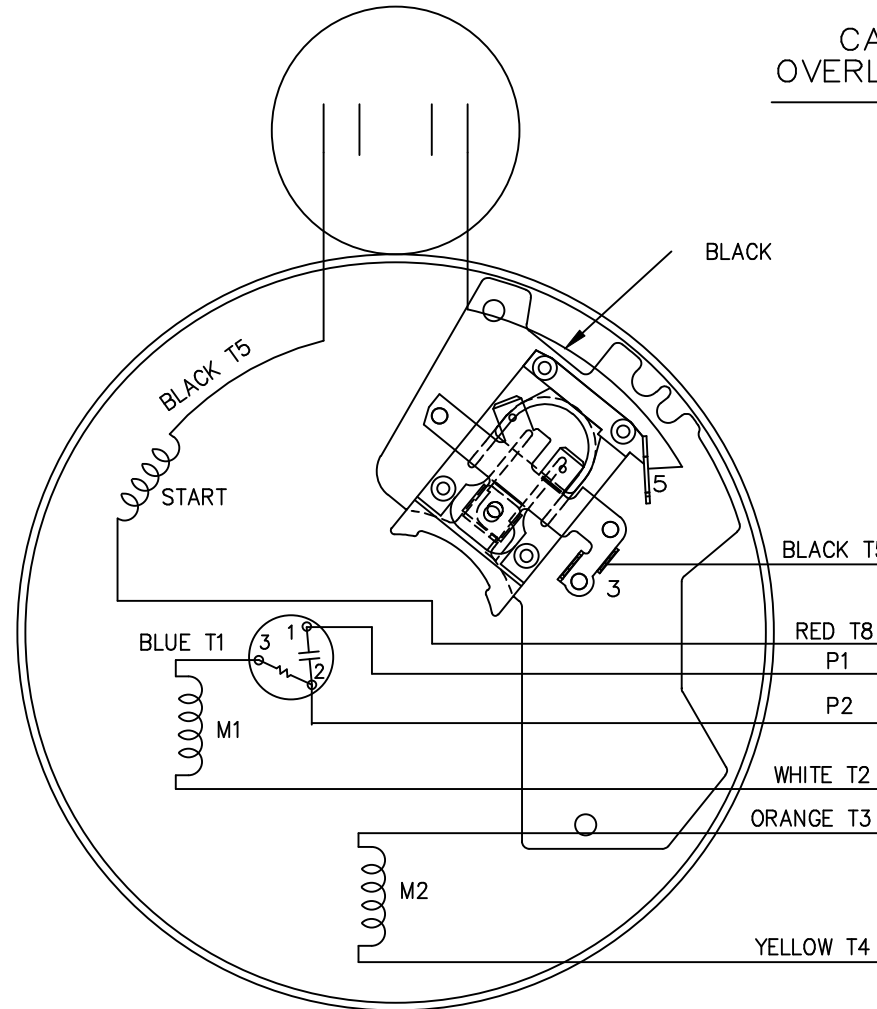
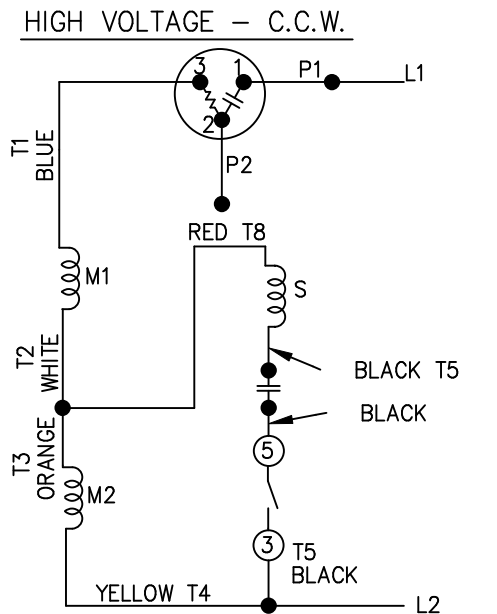
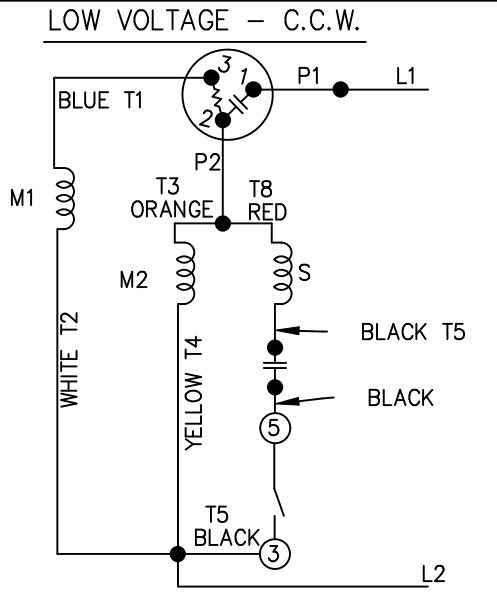


DUAL VOLTAGE
CAPACITOR START
OVERLOAD SELECT ROT.



FOR C.W. ROTATION
EITHER VOLTAGE
INTERCHANGE RED(T8)
WITH BLACK(T5) LEAD

TOLERANCES
UNLESS SPECIFIED

DEC.	INCHES
.X	±.1
.XX	±.02
.XXX	±.005



ELECTRIC MOTORS
GEARMOTORS
AND DRIVES

DRAWN	VL 08-08-2007
CHK	
APPD	
SCALE	5=8
REF	
FMF	56M1072
PREV	

TITLE CONNECTION DIAGRAM

1	REV'D CONNECTION TO MATCH ROTATION ISAAC 07-2021	JJB 09/05/2007	ML	.XXXX	±.0005	MAT'L.
NO.	REVISION	BY & DATE	CHK	ANG	±7'30"	FINISH

RFP	CAD FILE 102005_84_LE
DIST WP	

SIZE	DRAWING NO.	PAGE	OF	REV.
A	102005-84-LE			1

THIS DRAWING IN DESIGN AND DETAIL IS OUR PROPERTY AND MUST NOT BE USED EXCEPT IN CONNECTION WITH OUR WORK ALL RIGHTS OF DESIGN AND INVENTION ARE RESERVED THIS IS AN ELECTRONICALLY GENERATED DOCUMENT - DO NOT SCALE THIS PRINT