

PRODUCT INFORMATION PACKET



Model No: A6C17XK29C

Catalog No: 116614.00

1HP..1725RPM.56.EPFC./V.1PH.60HZ.CONT.AUTOMATIC.40C.1.0SF.RIGID.EXPLOSION
PROOF.A6C17XK29C

Explosion Proof



Regal and Leeson are trademarks of Regal Beloit Corporation or one of its affiliated companies.

©2018 Regal Beloit Corporation, All Rights Reserved. MC017097E



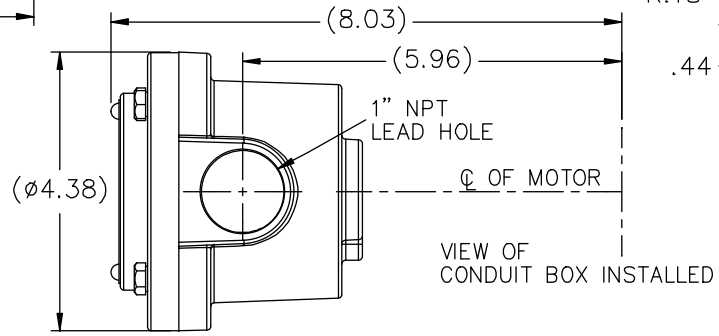
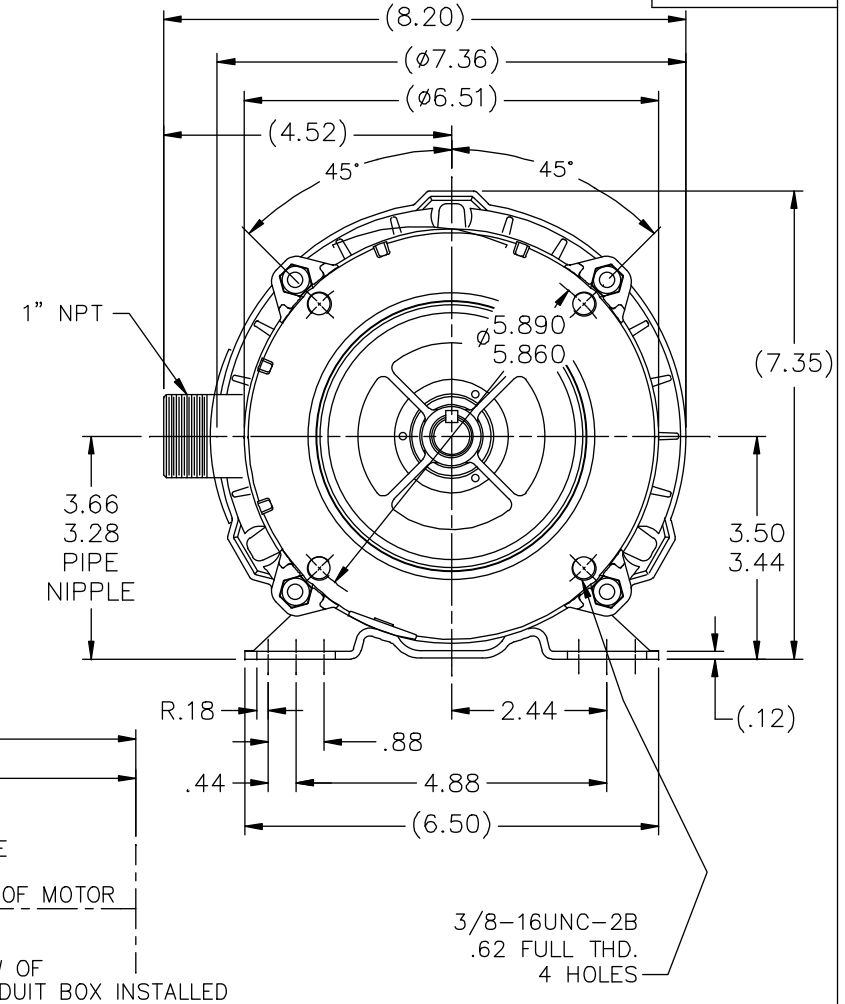
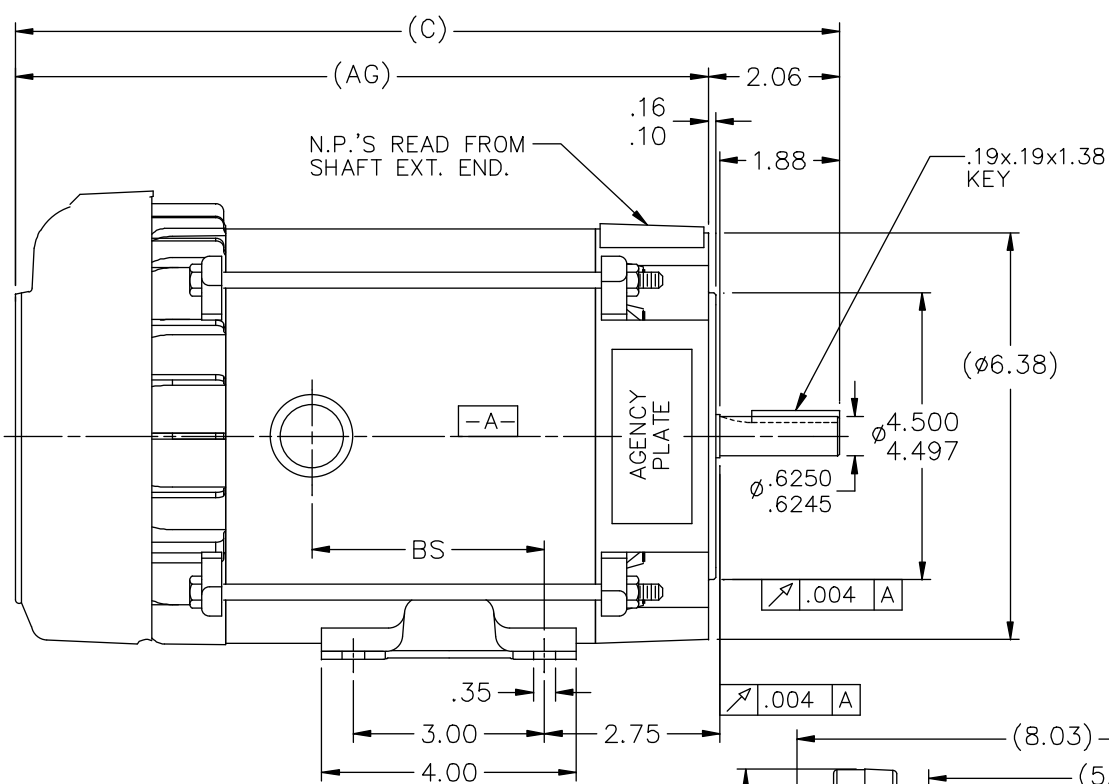


Nameplate Specifications

| | | | |
|----------------------------|-----------------------------------|------------------------|----------------------|
| Output HP | 1 Hp | Output KW | 0.75 kW |
| Frequency | 60 Hz | Voltage | 115/208-230 V |
| Current | 13.4/6.8-6.7 A | Speed | 1725 rpm |
| Service Factor | 1 | Phase | 1 |
| Efficiency | 72 % | Duty | Continuous |
| Insulation Class | B | Design Code | N |
| KVA Code | J | Frame | 56C |
| Enclosure | Explosion Proof Fan cooled | Overload Protector | Automatic |
| Ambient Temperature | 40 °C | Drive End Bearing Size | 6203 |
| Opp Drive End Bearing Size | 6203 | UL | Recognized |
| CSA | Y | CE | N |
| IP Code | 54 | | |

Technical Specifications

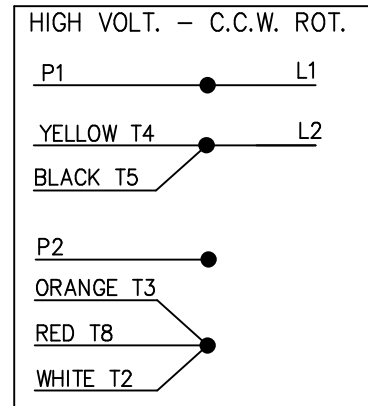
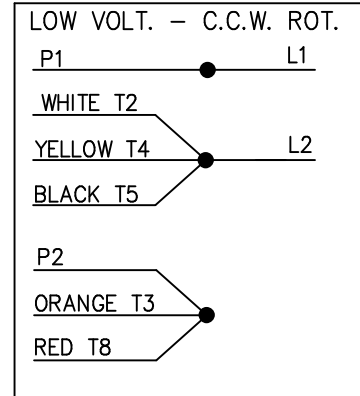
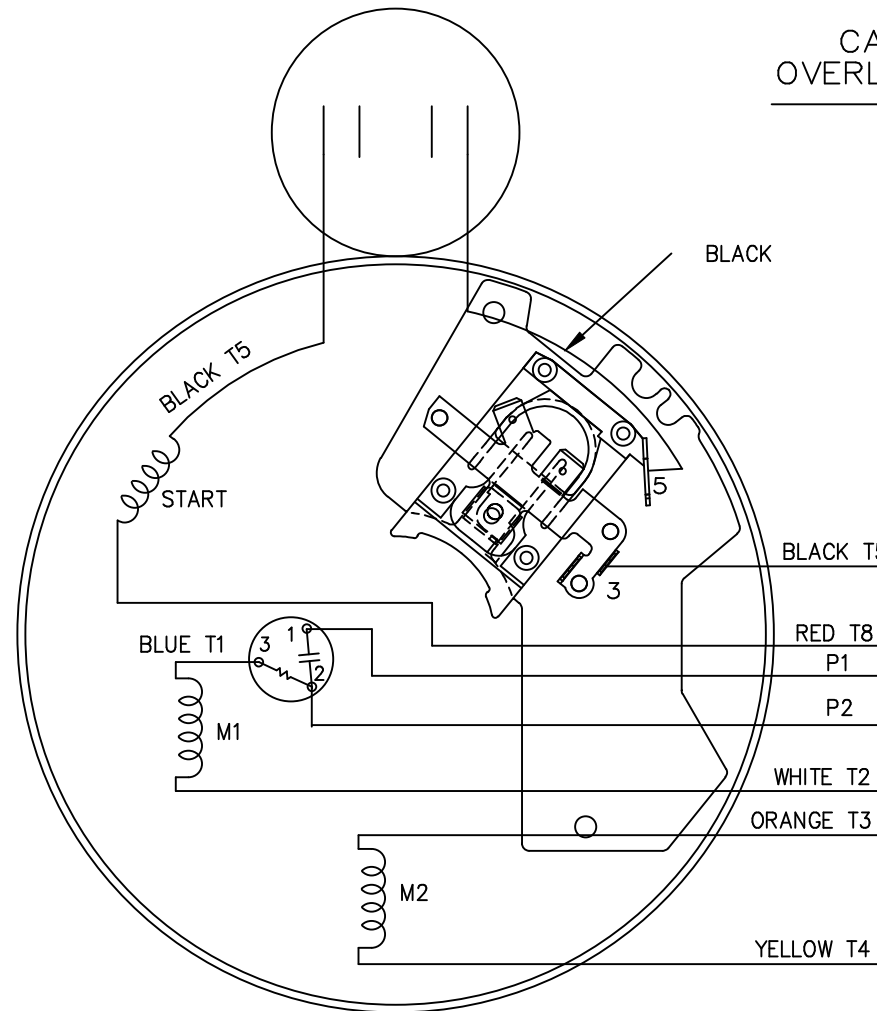
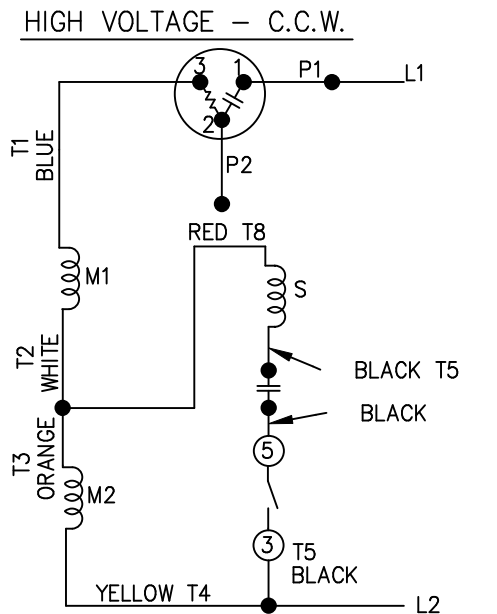
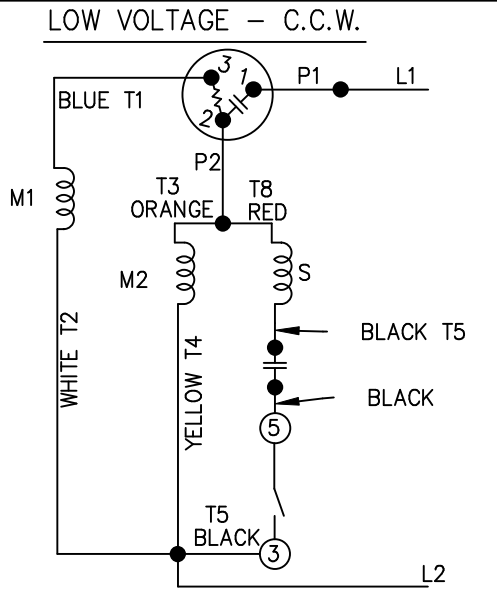
| | | | |
|-----------------------|--------------------------------------|-----------------------|-----------------------------------|
| Electrical Type | Capacitor Start Induction Run | Starting Method | Across The Line |
| Poles | 4 | Rotation | Selective Counterclockwise |
| Mounting | Rigid base | Motor Orientation | HORIZONTAL |
| Drive End Bearing | BALL | Opp Drive End Bearing | BALL |
| Frame Material | Rolled Steel | Shaft Type | NEMA 56 |
| Overall Length | 14.44 in | Frame Length | 7.31 in |
| Shaft Diameter | 0.625 in | Shaft Extension | 1.88 in |
| Assembly/Box Mounting | F1 ONLY | | |
| Outline Drawing | B-104191LE-731 | Connection Diagram | A-102005-84-LE |



| DASH | (C) | (AG) | BS | | |
|------|-------|-------|------|--|--|
| 631 | 13.44 | 11.38 | 4.15 | | |
| 681 | 13.94 | 11.88 | 4.65 | | |
| 731 | 14.44 | 12.38 | 5.15 | | |
| 781 | 14.94 | 12.88 | 5.65 | | |
| 831 | 15.44 | 13.38 | 6.15 | | |
| 881 | 15.94 | 13.88 | 6.65 | | |
| 931 | 16.44 | 14.38 | 7.15 | | |
| 981 | 16.94 | 14.88 | 7.65 | | |

| | | TOLERANCES UNLESS SPECIFIED | | LEESON | | ELECTRIC MOTORS GEARMOTORS AND DRIVES | | DRAWN HLB 05-29-2002 | | |
|--|--|-----------------------------|------------|--------|-------------------|---------------------------------------|-------------------|----------------------|----------------|------|
| | | DEC. | INCHES | | | | | CHK | ML 05-31-2002 | |
| | | .X | ±.1 | | | TITLE OUTLINE - 'C' FACE | | APPD | SAS 05-31-2002 | |
| 3 | COND. BOX INSTALLED VIEW UPDATED PER ECR-0044571 | UD | 10/15/13 | ST | .XX | ±.03 | 56 FR. - EXP. PR. | SCALE | 1=2 | |
| 2 | REVISED C'BOX PER CN 40784A | JJB | 02/26/2007 | ML | .XXX | ±.005 | | REF | | |
| 1 | NEW DRAWING | HLB | 05-31-2002 | | .XXXX | ±.0005 | MAT'L. | FMF | | |
| NO. | REVISION | BY & DATE | CHK | ANG | FINISH | | PREV | | | |
| THIS DRAWING IN DESIGN AND DETAIL IS OUR PROPERTY AND MUST NOT BE USED EXCEPT IN CONNECTION WITH OUR WORK ALL RIGHTS OF DESIGN AND INVENTION ARE RESERVED THIS IS AN ELECTRONICALLY GENERATED DOCUMENT - DO NOT SCALE THIS PRINT | | | | RFP | CAD FILE 104191LE | | SIZE | DRAWING NO. | PAGE OF | REV. |
| | | | | DIST | WP | | B | 104191LE | 3 | 3 |

DUAL VOLTAGE
CAPACITOR START
OVERLOAD SELECT ROT.



FOR C.W. ROTATION
EITHER VOLTAGE
INTERCHANGE RED(T8)
WITH BLACK(T5) LEAD

TOLERANCES
UNLESS SPECIFIED

DEC. INCHES

.X ±.1

.XX ±.02

.XXX ±.005

ML .XXXX ±.0005

CHK ANG ±7'30"

RFP

DIST WP



ELECTRIC MOTORS
GEARMOTORS
AND DRIVES

TITLE CONNECTION DIAGRAM

DRAWN VL 08-08-2007

CHK

APPD

SCALE 5=8

REF

FMF 56M1072

PREV

| | | |
|-----|--|----------------|
| 1 | REV'D CONNECTION TO MATCH ROTATION ISAAC 07-2021 | JJB 09/05/2007 |
| NO. | REVISION | BY & DATE |

THIS DRAWING IN DESIGN AND DETAIL IS OUR PROPERTY AND MUST NOT BE USED EXCEPT IN CONNECTION WITH OUR WORK ALL RIGHTS OF DESIGN AND INVENTION ARE RESERVED THIS IS AN ELECTRONICALLY GENERATED DOCUMENT - DO NOT SCALE THIS PRINT

CAD FILE 102005_84_LE

SIZE DRAWING NO. PAGE OF REV.

A 102005-84-LE 1



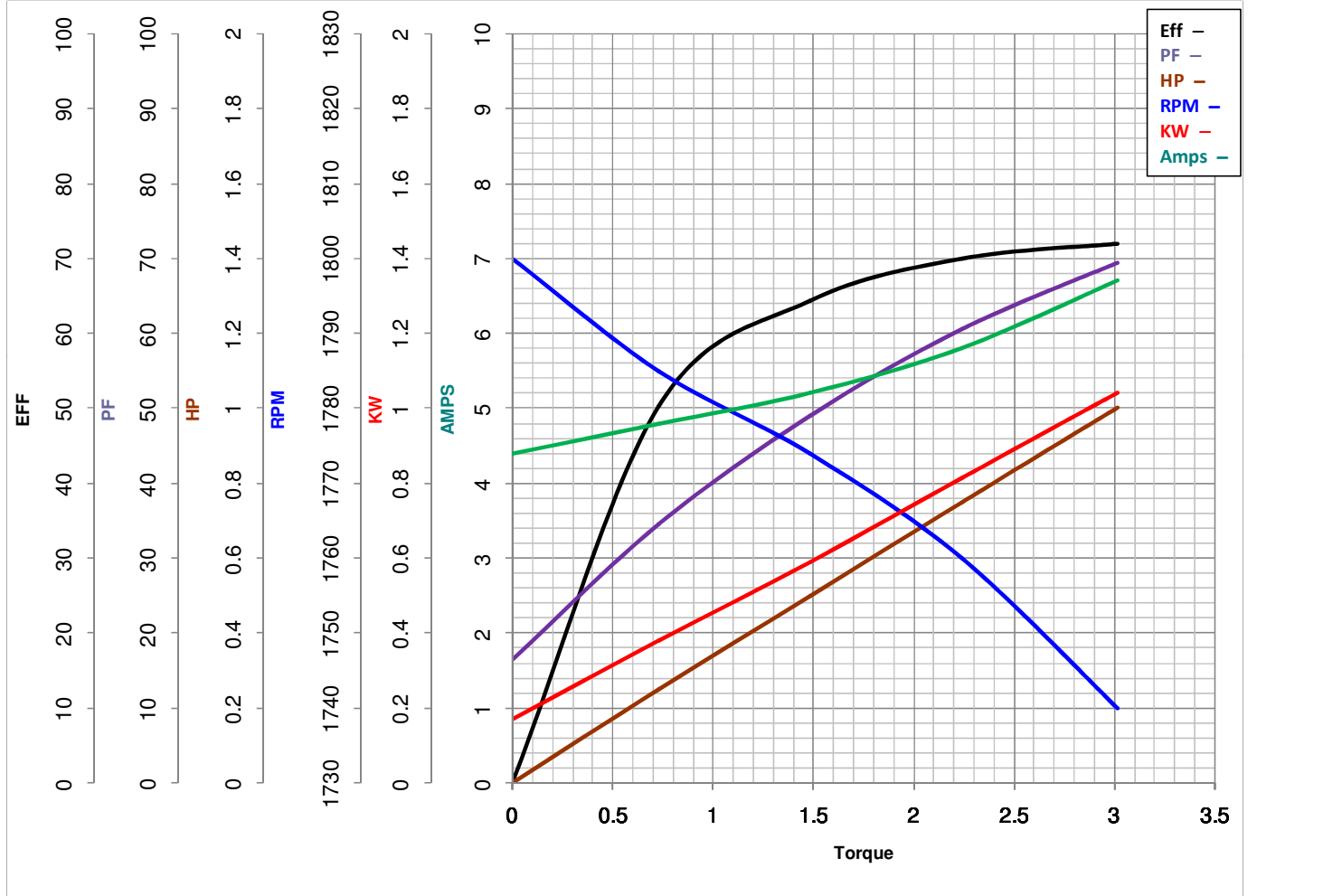
LEESON ELECTRIC CORPORATION
 TYPICAL PERFORMANCE CURVE for AC MOTOR

Model No 116614.00

Curve at 230 Volts HP 1.00 PHASE 1
60 HZ
1 HP VOLTS 115/208-230

Catalog No 116614.00

HZ 60 RPM 1725



Torque in Lb.Ft

FL TORQUE 3.019 Lb.Ft
 BD TORQUE 7.6 Lb.Ft
 LR TORQUE 8.906 Lb.Ft

FL AMPS 13.4/6.8-6.7
 PU TORQUE 6.3 Lb.Ft
 LR AMPS 34.7

WINDING ZC407-3

Date 4/24/2018