

PRODUCT INFORMATION PACKET



Model No: A6C17XK30C

Catalog No: 116612.00

3/4HP..1725RPM.56.EPFC./V.1PH.60HZ.CONT.AUTOMATIC.40C.1.0SF.RIGID.EXPLOSION
PROOF.A6C17XK30C

Explosion Proof



Regal and Leeson are trademarks of Regal Beloit Corporation or one of its affiliated companies.

©2018 Regal Beloit Corporation, All Rights Reserved. MC017097E



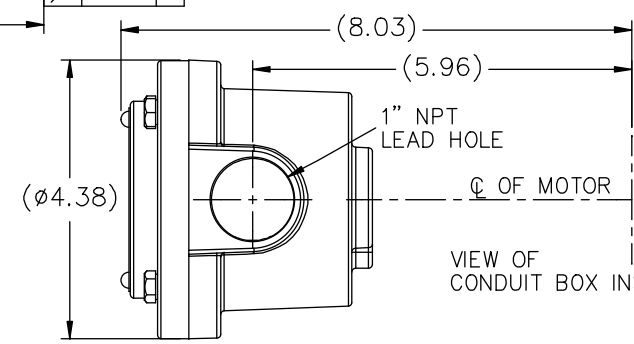
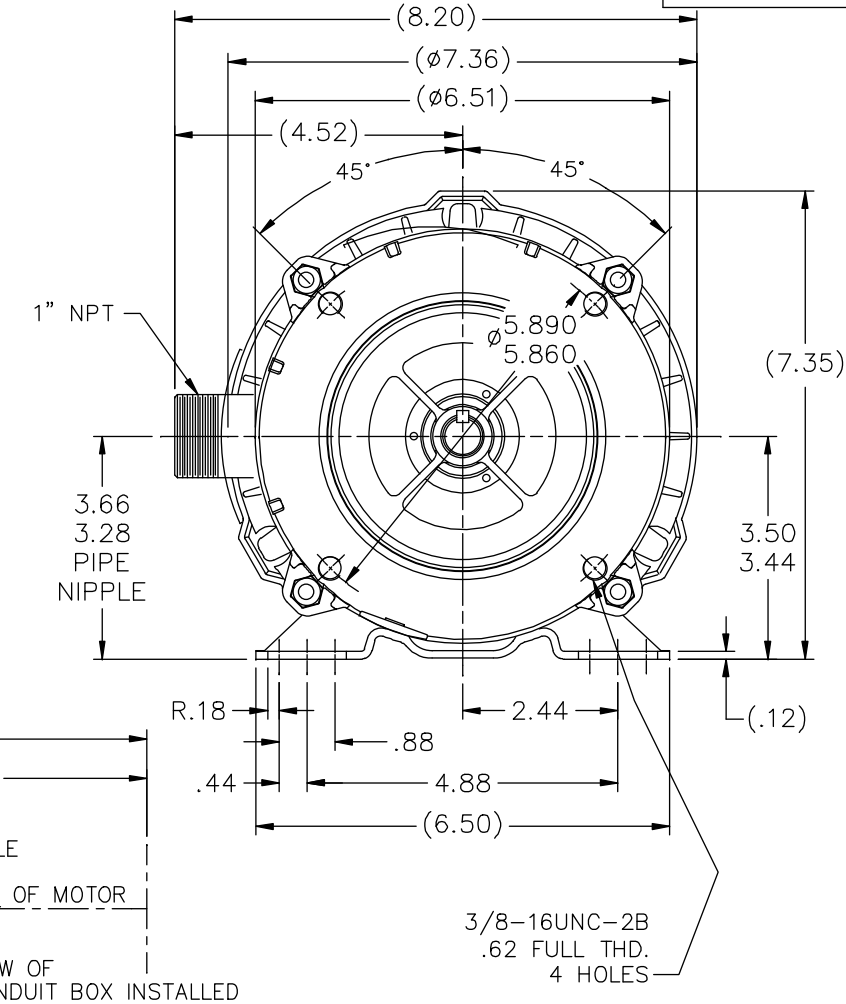
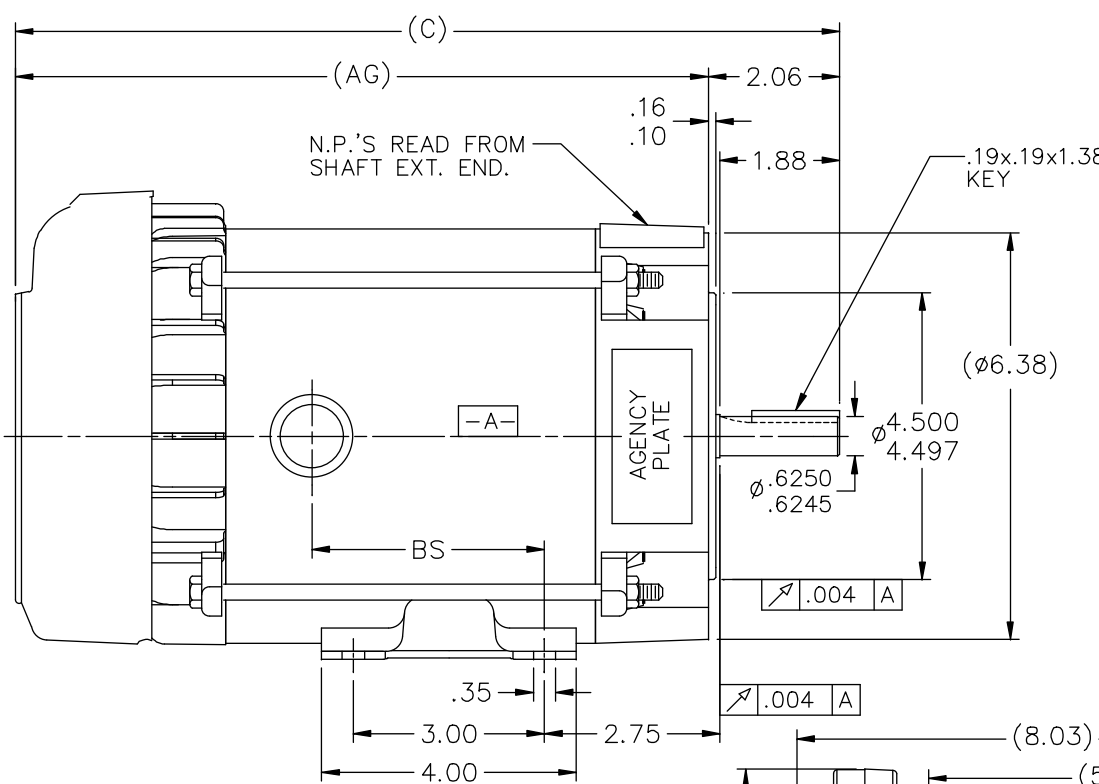


Nameplate Specifications

Output HP	0.75 Hp	Output KW	0.56 kW
Frequency	60 Hz	Voltage	115/208-230 V
Current	11.0/5.4-5.5 A	Speed	1725 rpm
Service Factor	1	Phase	1
Efficiency	70 %	Duty	Continuous
Insulation Class	B	Design Code	N
KVA Code	L	Frame	56C
Enclosure	Explosion Proof Fan cooled	Overload Protector	Automatic
Ambient Temperature	40 °C	Drive End Bearing Size	6203
Opp Drive End Bearing Size	6203	UL	Recognized
CSA	Y	CE	N
IP Code	54		

Technical Specifications

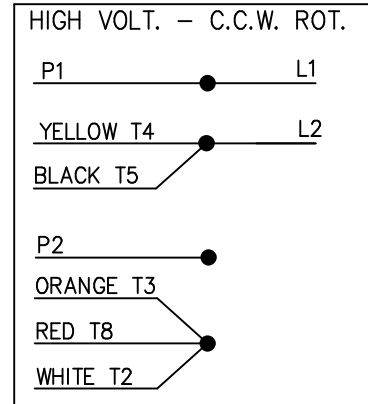
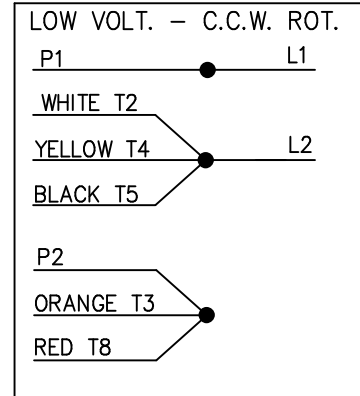
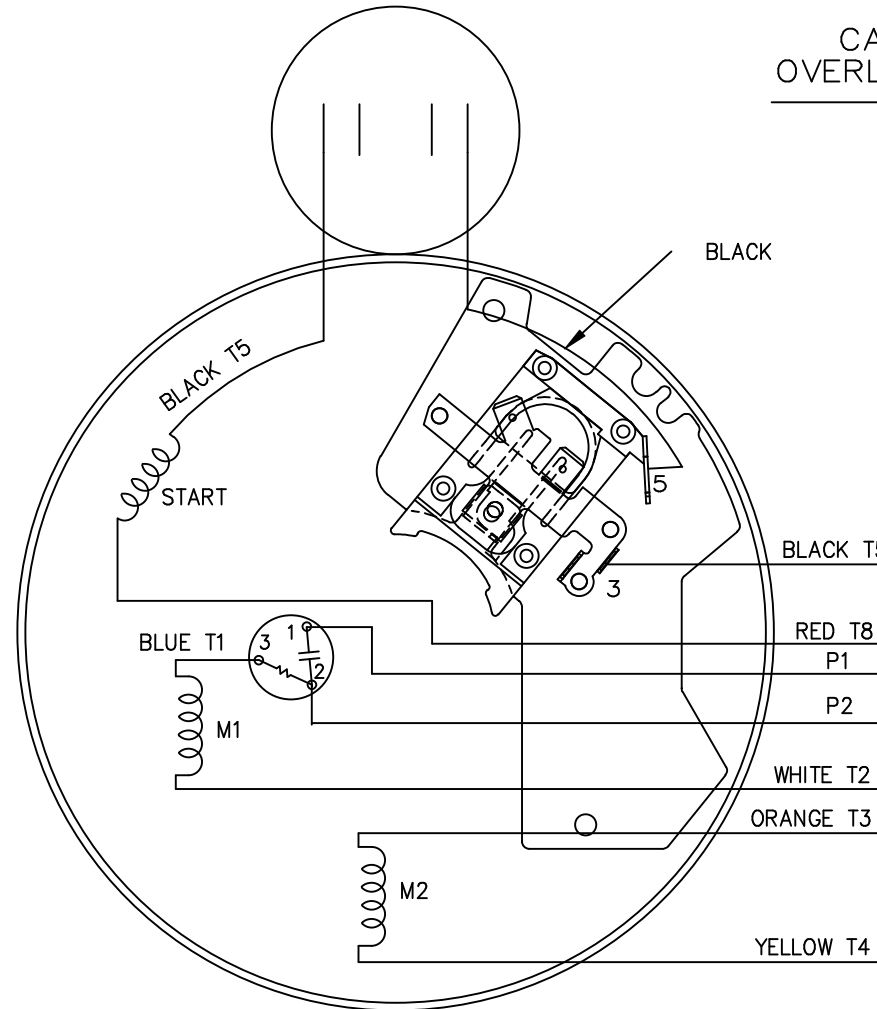
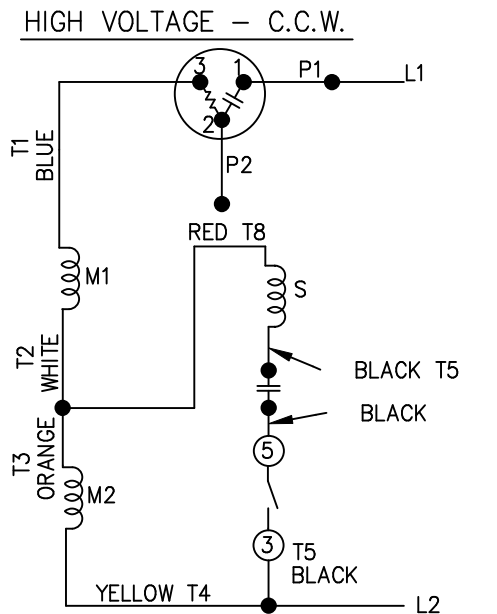
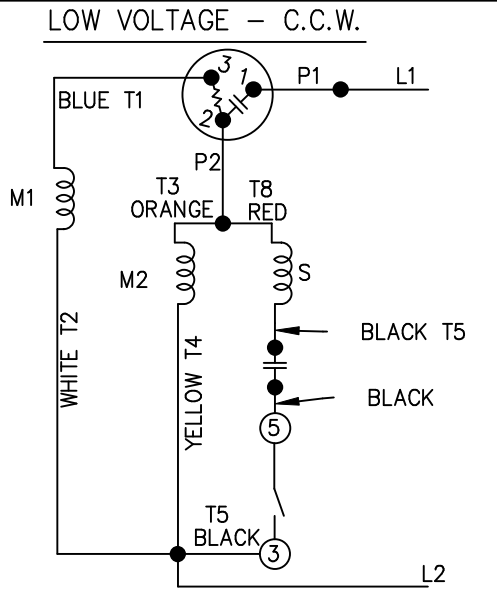
Electrical Type	Capacitor Start Induction Run	Starting Method	Across The Line
Poles	4	Rotation	Selective Counterclockwise
Mounting	Rigid base	Motor Orientation	HORIZONTAL
Drive End Bearing	BALL	Opp Drive End Bearing	BALL
Frame Material	Rolled Steel	Shaft Type	NEMA 56
Overall Length	14.44 in	Frame Length	7.31 in
Shaft Diameter	0.625 in	Shaft Extension	1.88 in
Assembly/Box Mounting	F1 ONLY		
Outline Drawing	B-104191LE-731	Connection Diagram	A-102005-84-LE



DASH	(C)	(AG)	BS		
631	13.44	11.38	4.15		
681	13.94	11.88	4.65		
731	14.44	12.38	5.15		
781	14.94	12.88	5.65		
831	15.44	13.38	6.15		
881	15.94	13.88	6.65		
931	16.44	14.38	7.15		
981	16.94	14.88	7.65		

		TOLERANCES UNLESS SPECIFIED		LEESON ELECTRIC MOTORS GEARMOTORS AND DRIVES		DRAWN HLB 05-29-2002	
		DEC.	INCHES			CHK	ML 05-31-2002
		.X	±.1	TITLE OUTLINE - 'C' FACE		APPD	SAS 05-31-2002
3	COND. BOX INSTALLED VIEW UPDATED PER ECR-0044571	UD	10/15/13	ST	.XX ±.03	SCALE	1=2
2	REVISED C'BOX PER CN 40784A	JJB	02/26/2007	ML	.XXX ±.005	REF	
1	NEW DRAWING	HLB	05-31-2002		.XXXX ±.0005	FMF	
NO.	REVISION	BY & DATE	CHK	ANG	FINISH	PREV	
THIS DRAWING IN DESIGN AND DETAIL IS OUR PROPERTY AND MUST NOT BE USED EXCEPT IN CONNECTION WITH OUR WORK ALL RIGHTS OF DESIGN AND INVENTION ARE RESERVED THIS IS AN ELECTRONICALLY GENERATED DOCUMENT - DO NOT SCALE THIS PRINT				RFP	CAD FILE 104191LE	SIZE	DRAWING NO. PAGE OF REV.
				DIST	WP	B	104191LE 3

DUAL VOLTAGE
CAPACITOR START
OVERLOAD SELECT ROT.



FOR C.W. ROTATION
EITHER VOLTAGE
INTERCHANGE RED(T8)
WITH BLACK(T5) LEAD

TOLERANCES UNLESS SPECIFIED	
DEC.	INCHES
.X	±.1
.XX	±.02
.XXX	±.005



ELECTRIC MOTORS
GEARMOTORS
AND DRIVES

DRAWN	VL 08-08-2007
CHK	
APPD	
SCALE	5=8
REF	
FMF	56M1072
PREV	

TITLE CONNECTION DIAGRAM

1	REV'D CONNECTION TO MATCH ROTATION ISAAC 07-2021	JJB 09/05/2007	ML	.XXXX	±.0005	MAT'L.
NO.	REVISION	BY & DATE	CHK	ANG	±7'30"	FINISH

THIS DRAWING IN DESIGN AND DETAIL IS OUR PROPERTY AND MUST NOT BE USED EXCEPT IN CONNECTION WITH OUR WORK ALL RIGHTS OF DESIGN AND INVENTION ARE RESERVED THIS IS AN ELECTRONICALLY GENERATED DOCUMENT - DO NOT SCALE THIS PRINT

RFP	CAD FILE 102005_84_LE
DIST WP	

SIZE	DRAWING NO.	PAGE	OF	REV.
A	102005-84-LE			1

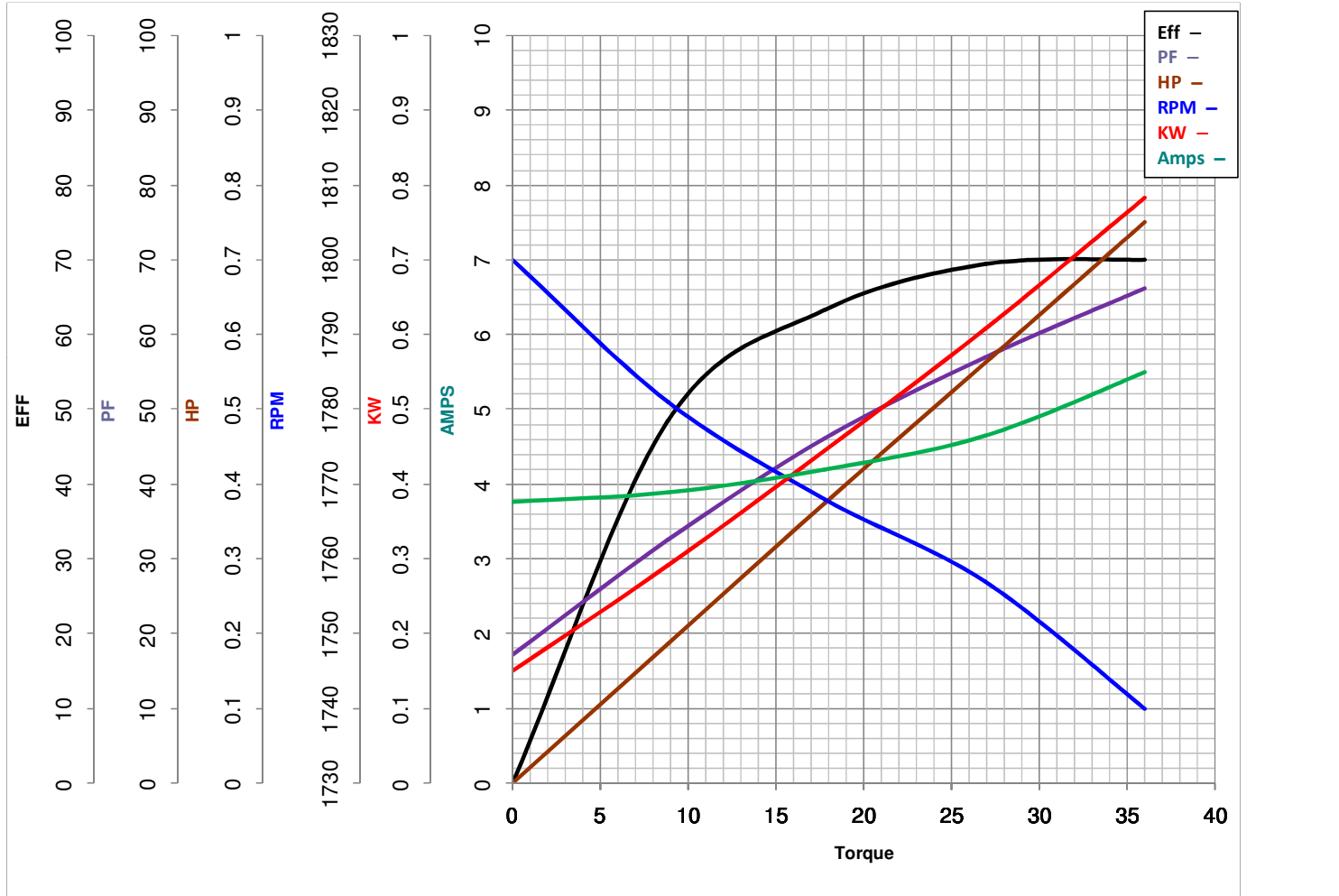


LEESON ELECTRIC CORPORATION
TYPICAL PERFORMANCE CURVE for AC MOTOR

Model No 116612.00

Catalog No 116612.00

Curve at 230 Volts HP 0.76 PHASE 1
60 HZ
0.75 HP VOLTS 115/208-230
HZ 60 RPM 1725



FL TORQUE	<u>36</u>	Oz.Ft	FL AMPS	<u>11/5.4-5.5</u>
BD TORQUE	<u>97.9</u>	Oz.Ft	PU TORQUE	<u>72.6</u> Oz.Ft
LR TORQUE	<u>133</u>	Oz.Ft	LR AMPS	<u>30.5</u>
WINDING	ZC469-3		Date	3/26/2018