

# PRODUCT INFORMATION PACKET



Model No: A6C17XK31B

Catalog No: 116607.00

1/3HP..1140RPM.56.EPFC./V.1PH.60HZ.CONT.AUTOMATIC.40C.1.0SF.RIGID.EXPLOSION  
PROOF.A6C17XK31B

Explosion Proof



Regal and Leeson are trademarks of Regal Beloit Corporation or one of its affiliated companies.

©2018 Regal Beloit Corporation, All Rights Reserved. MC017097E



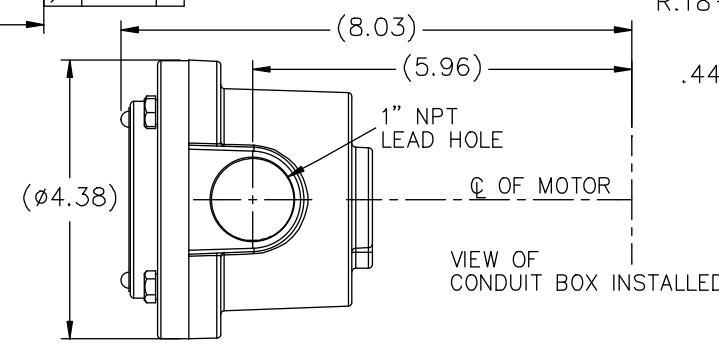
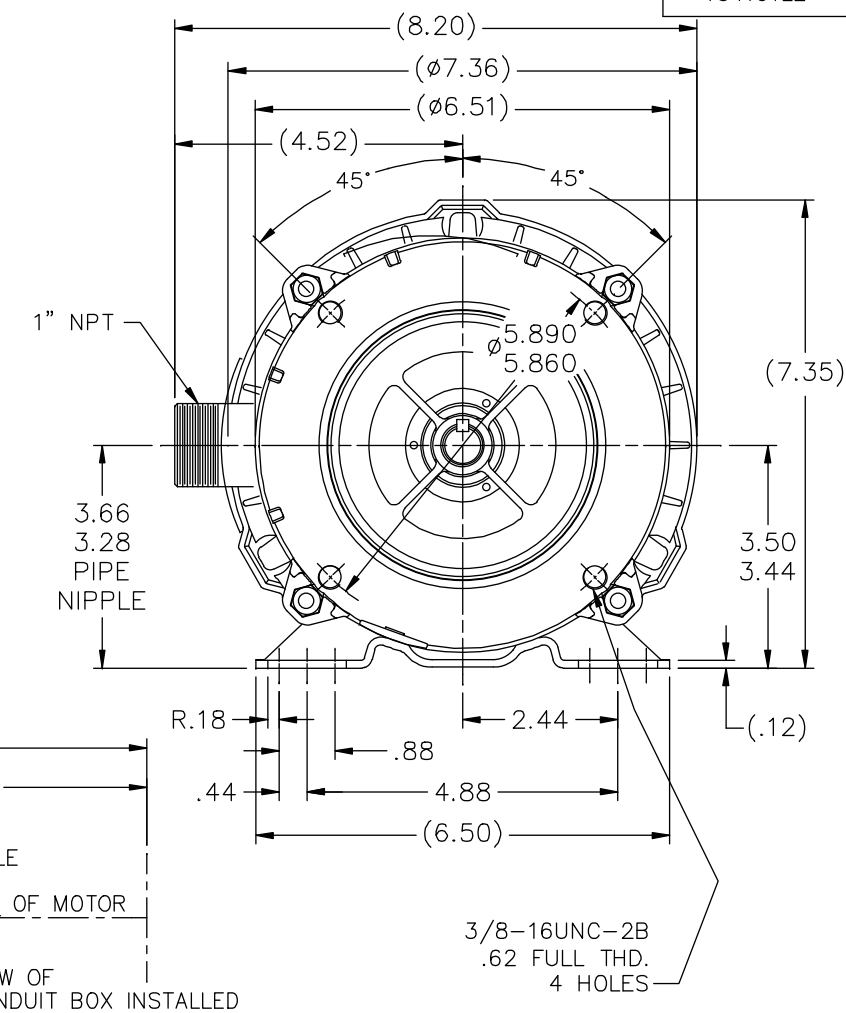
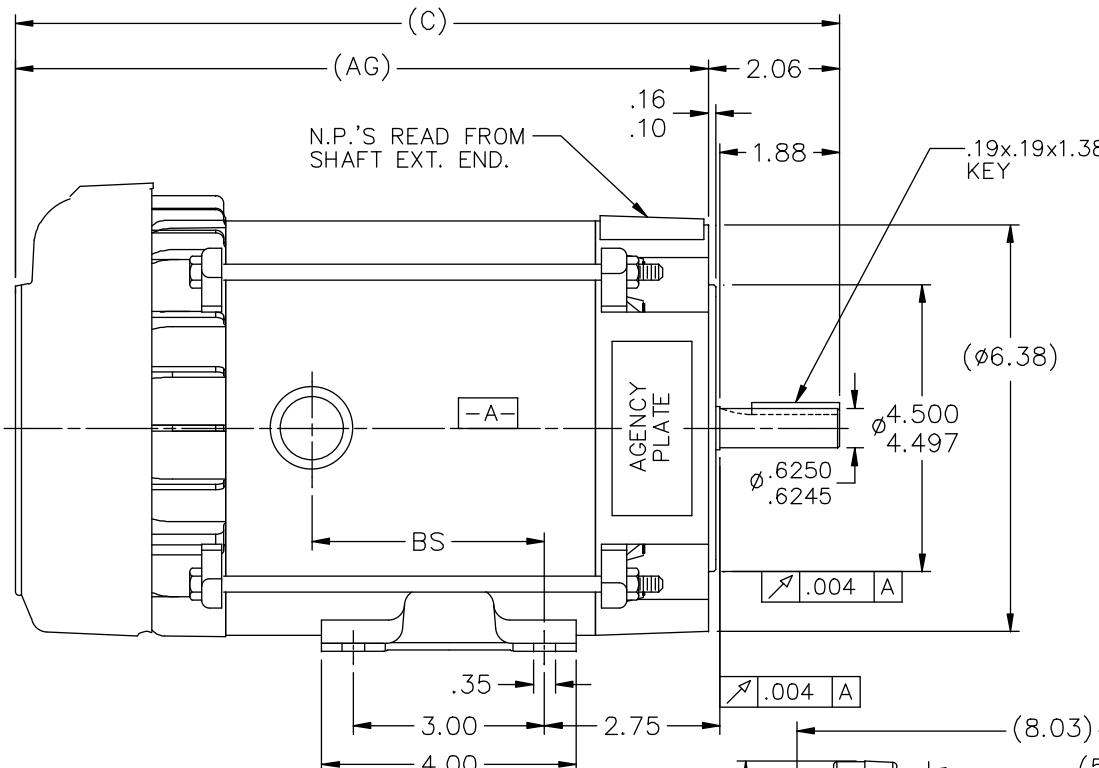


### Nameplate Specifications

Output HP	<b>0.33 Hp</b>	Output KW	<b>0.25 kW</b>
Frequency	<b>60 Hz</b>	Voltage	<b>115/208-230 V</b>
Current	<b>7.8/3.6-3.9 A</b>	Speed	<b>1140 rpm</b>
Service Factor	<b>1</b>	Phase	<b>1</b>
Efficiency	<b>52.5 %</b>	Duty	<b>Continuous</b>
Insulation Class	<b>B</b>	Design Code	<b>N</b>
KVA Code	<b>N</b>	Frame	<b>56C</b>
Enclosure	<b>Explosion Proof Fan cooled</b>	Overload Protector	<b>Automatic</b>
Ambient Temperature	<b>40 °C</b>	Drive End Bearing Size	<b>6203</b>
Opp Drive End Bearing Size	<b>6203</b>	UL	<b>Recognized</b>
CSA	<b>Y</b>	CE	<b>N</b>
IP Code	<b>54</b>		

### Technical Specifications

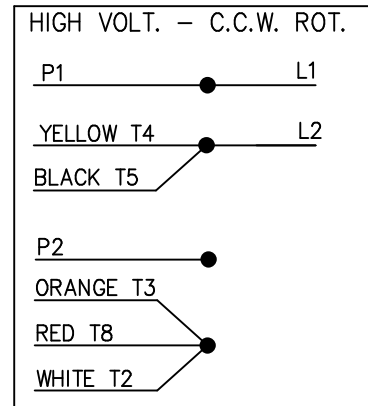
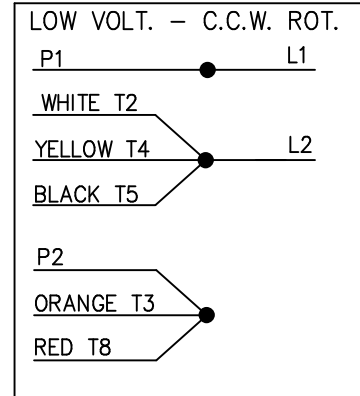
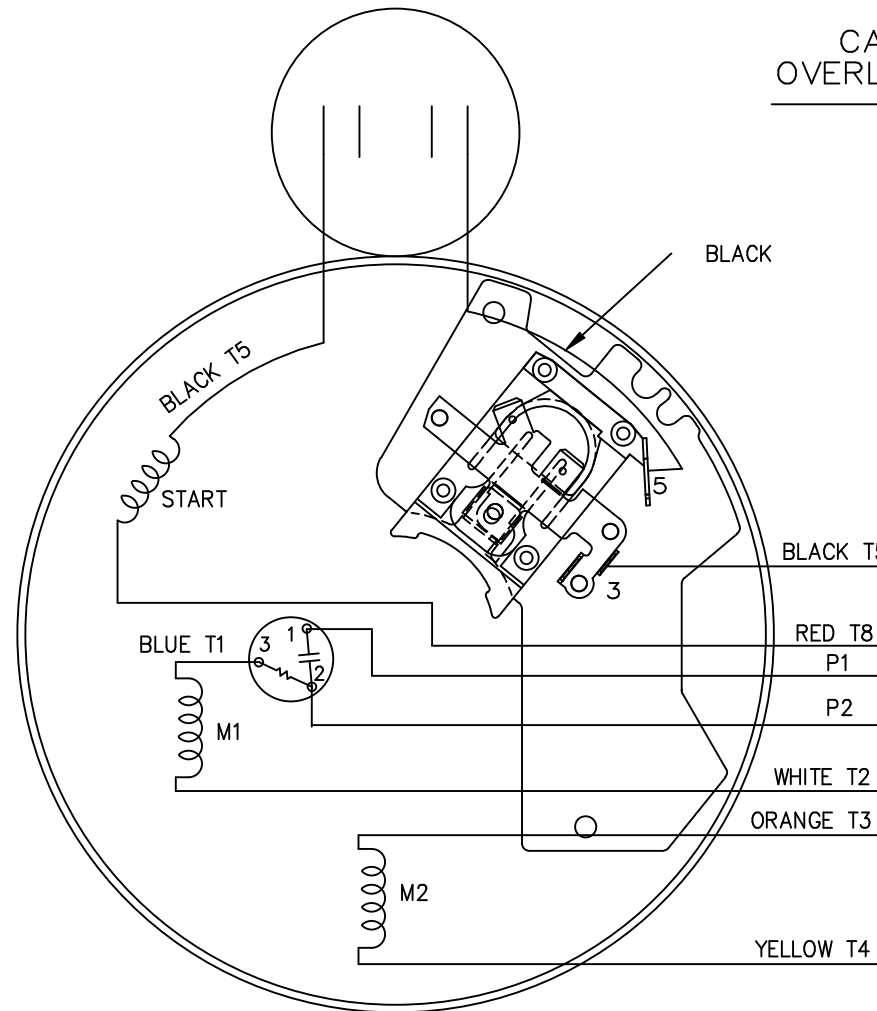
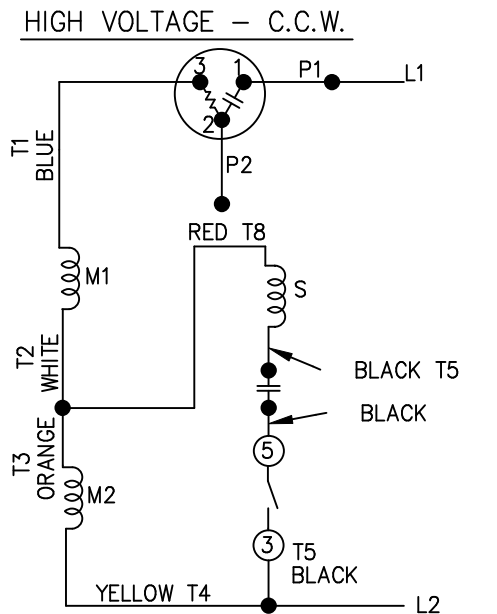
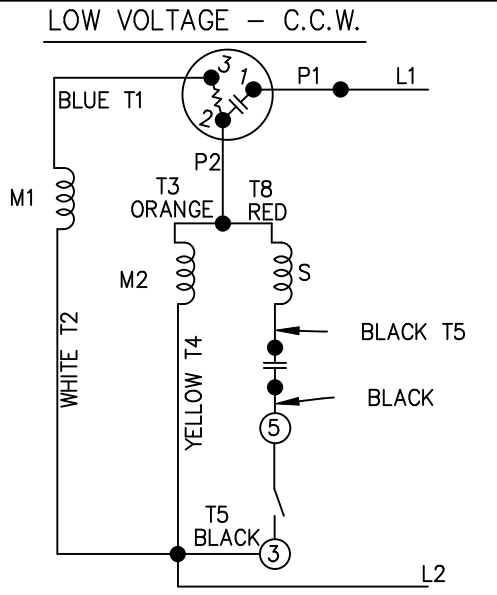
Electrical Type	<b>Capacitor Start Induction Run</b>	Starting Method	<b>Across The Line</b>
Poles	<b>6</b>	Rotation	<b>Selective Counterclockwise</b>
Mounting	<b>Rigid base</b>	Motor Orientation	<b>HORIZONTAL</b>
Drive End Bearing	<b>BALL</b>	Opp Drive End Bearing	<b>BALL</b>
Frame Material	<b>Rolled Steel</b>	Shaft Type	<b>NEMA 56</b>
Overall Length	<b>13.94 in</b>	Frame Length	<b>6.81 in</b>
Shaft Diameter	<b>0.625 in</b>	Shaft Extension	<b>1.88 in</b>
Assembly/Box Mounting	<b>F1 ONLY</b>		
Outline Drawing	<b>B-104191LE-681</b>	Connection Diagram	<b>A-102005-84-LE</b>



DASH	(C)	(AG)	BS		
631	13.44	11.38	4.15		
681	13.94	11.88	4.65		
731	14.44	12.38	5.15		
781	14.94	12.88	5.65		
831	15.44	13.38	6.15		
881	15.94	13.88	6.65		
931	16.44	14.38	7.15		
981	16.94	14.88	7.65		

		TOLERANCES UNLESS SPECIFIED		LEESON		ELECTRIC MOTORS GEARMOTORS AND DRIVES		DRAWN HLB 05-29-2002		
		DEC.	INCHES					CHK	ML 05-31-2002	
		.X	±.1			TITLE OUTLINE - 'C' FACE		APPD	SAS 05-31-2002	
3	COND. BOX INSTALLED VIEW UPDATED PER ECR-0044571	UD	10/15/13	ST	.XX	±.03	56 FR. - EXP. PR.	SCALE	1=2	
2	REVISED C'BOX PER CN 40784A	JJB	02/26/2007	ML	.XXX	±.005		REF		
1	NEW DRAWING	HLB	05-31-2002		.XXXX	±.0005	MAT'L.	FMF		
NO.	REVISION	BY & DATE	CHK	ANG	FINISH		PREV			
THIS DRAWING IN DESIGN AND DETAIL IS OUR PROPERTY AND MUST NOT BE USED EXCEPT IN CONNECTION WITH OUR WORK ALL RIGHTS OF DESIGN AND INVENTION ARE RESERVED THIS IS AN ELECTRONICALLY GENERATED DOCUMENT - DO NOT SCALE THIS PRINT				RFP	CAD FILE 104191LE		SIZE	DRAWING NO.	PAGE OF	REV.
				DIST	WP		B	104191LE	3	3

DUAL VOLTAGE  
CAPACITOR START  
OVERLOAD SELECT ROT.



FOR C.W. ROTATION  
EITHER VOLTAGE  
INTERCHANGE RED(T8)  
WITH BLACK(T5) LEAD

TOLERANCES UNLESS SPECIFIED	
DEC.	INCHES
.X	±.1
.XX	±.02
.XXX	±.005



ELECTRIC MOTORS  
GEARMOTORS  
AND DRIVES

DRAWN	VL 08-08-2007
CHK	
APPD	
SCALE	5=8
REF	
FMF	56M1072
PREV	

TITLE CONNECTION DIAGRAM

1	REV'D CONNECTION TO MATCH ROTATION ISAAC 07-2021	JJB 09/05/2007	ML	.XXXX	±.0005	MAT'L.
NO.	REVISION	BY & DATE	CHK	ANG	±7'30"	FINISH

THIS DRAWING IN DESIGN AND DETAIL IS OUR PROPERTY AND MUST NOT BE USED EXCEPT IN CONNECTION WITH OUR WORK ALL RIGHTS OF DESIGN AND INVENTION ARE RESERVED THIS IS AN ELECTRONICALLY GENERATED DOCUMENT - DO NOT SCALE THIS PRINT

RFP	CAD FILE 102005_84_LE
DIST WP	

SIZE	DRAWING NO.	PAGE	OF	REV.
A	102005-84-LE			1



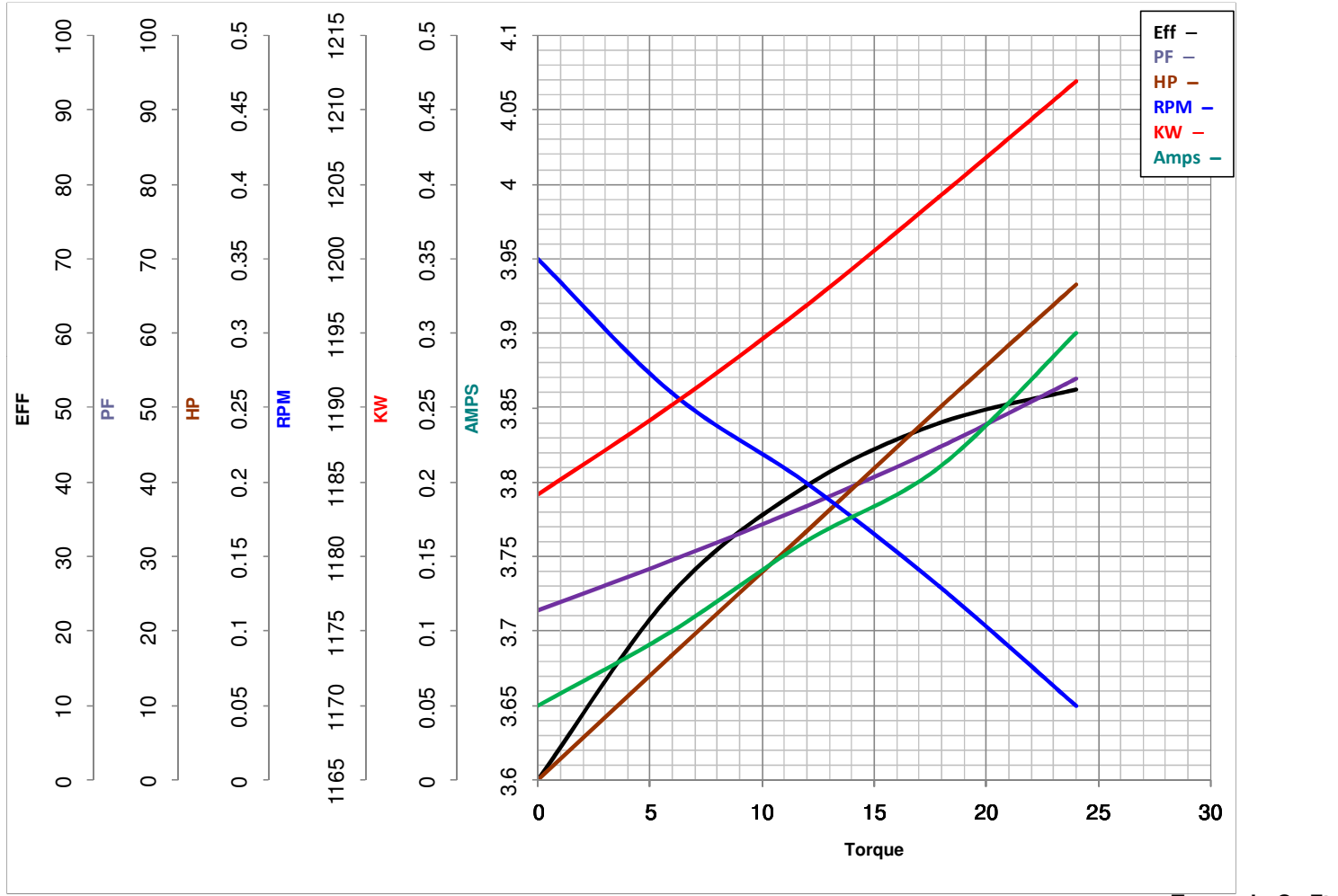
**LEESON ELECTRIC CORPORATION**  
 TYPICAL PERFORMANCE CURVE for AC MOTOR

Model No 116607.00

Catalog No 116607.00

Curve at 230 Volts      HP 0.34      PHASE 1  
60 HZ  
0.333 HP      VOLTS 115/208-230

HZ 60      RPM 1140



FL TORQUE	<u>24</u>	Oz.Ft	FL AMPS	<u>7.8/3.6-3.9</u>
BD TORQUE	<u>66.9</u>	Oz.Ft	PU TORQUE	<u>52.9</u> Oz.Ft
LR TORQUE	<u>77.1</u>	Oz.Ft	LR AMPS	<u>17.9</u>
WINDING	<u>ZC605-3</u>		Date	<u>3/14/2018</u>