

PRODUCT INFORMATION PACKET



Model No: A6C17XK34B
Catalog No: 116610.00
..1/2HP..1140RPM.56.EPFC.115/208-
230V.1PH.60HZ.CONT.40C.1.0SF.RIGID.A6C17XK34B.....EXPLOSION PROOF.AUTOMATIC.....
Explosion Proof



Regal and Leeson are trademarks of Regal Beloit Corporation or one of its affiliated companies.
©2018 Regal Beloit Corporation, All Rights Reserved. MC017097E



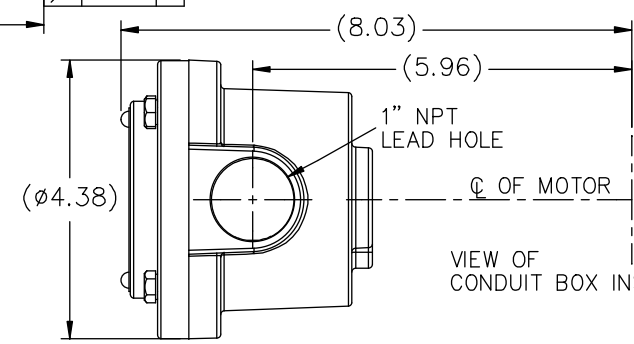
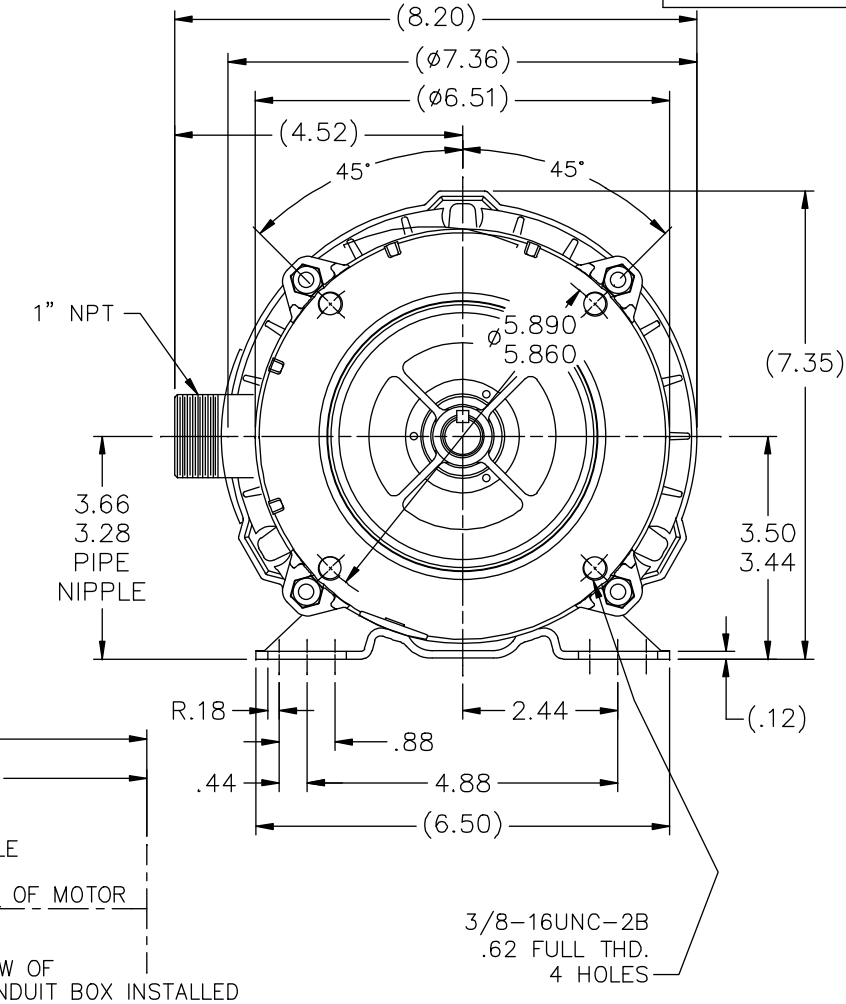
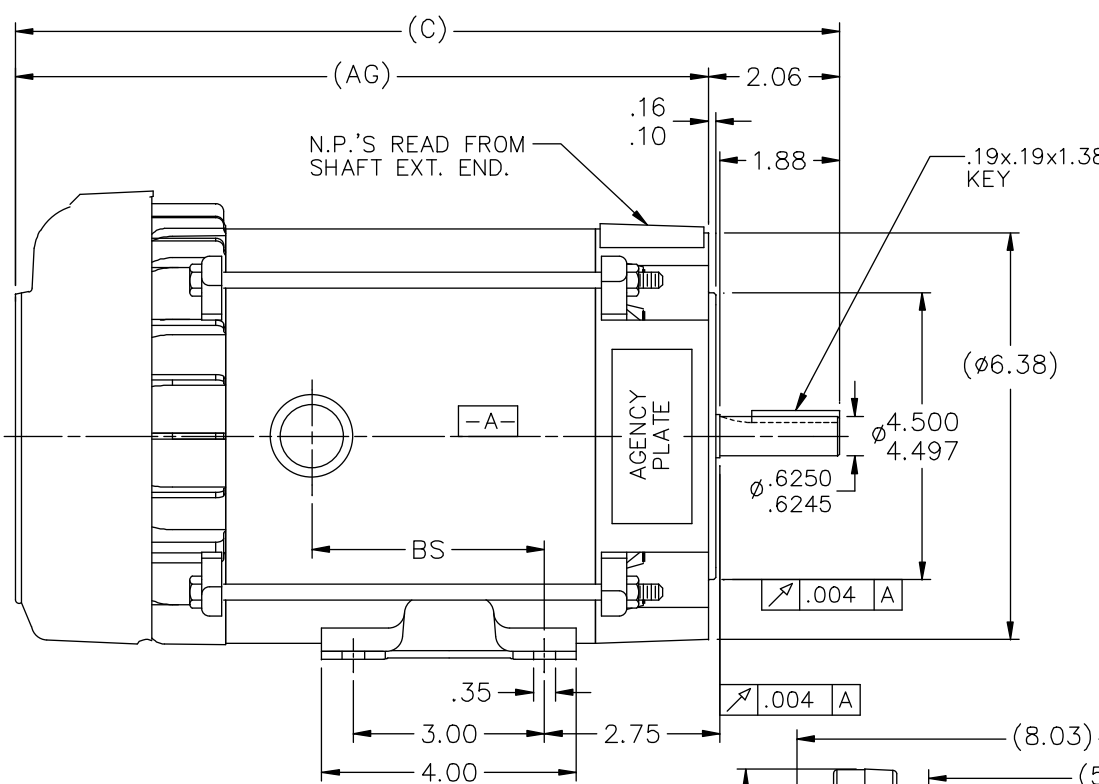


Nameplate Specifications

Output HP	0.50 Hp	Output KW	0.37 kW
Frequency	60 Hz	Voltage	115/208-230 V
Current	9.6/4.7-4.8 A	Speed	1140 rpm
Service Factor	1	Phase	1
Efficiency	64 %	Duty	Continuous
Insulation Class	B	Design Code	L
KVA Code	M	Frame	56C
Enclosure	Explosion Proof Fan cooled	Overload Protector	Automatic
Ambient Temperature	40 °C	Drive End Bearing Size	6203
Opp Drive End Bearing Size	6203	UL	Recognized
CSA	Y	CE	N
IP Code	54		

Technical Specifications

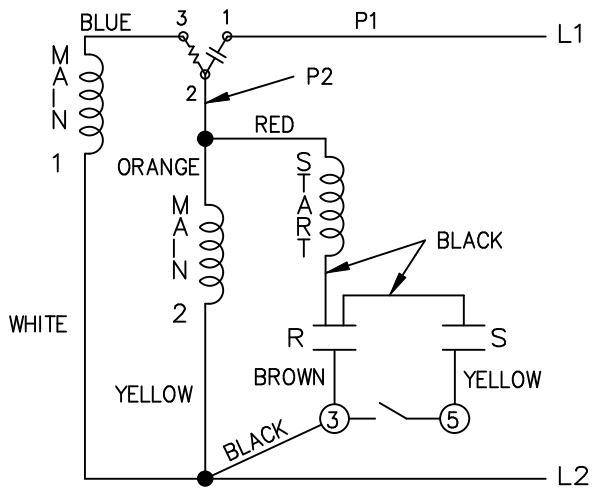
Electrical Type	Capacitor Start Capacitor Run	Starting Method	Across The Line
Poles	6	Rotation	Selective Counterclockwise
Mounting	Rigid base	Motor Orientation	HORIZONTAL
Drive End Bearing	BALL	Opp Drive End Bearing	BALL
Frame Material	Rolled Steel	Shaft Type	NEMA 56
Overall Length	14.94 in	Frame Length	7.81 in
Shaft Diameter	0.625 in	Shaft Extension	1.88 in
Assembly/Box Mounting	F1 ONLY		
Outline Drawing	B-104191LE-781	Connection Diagram	A-102006-95-LE



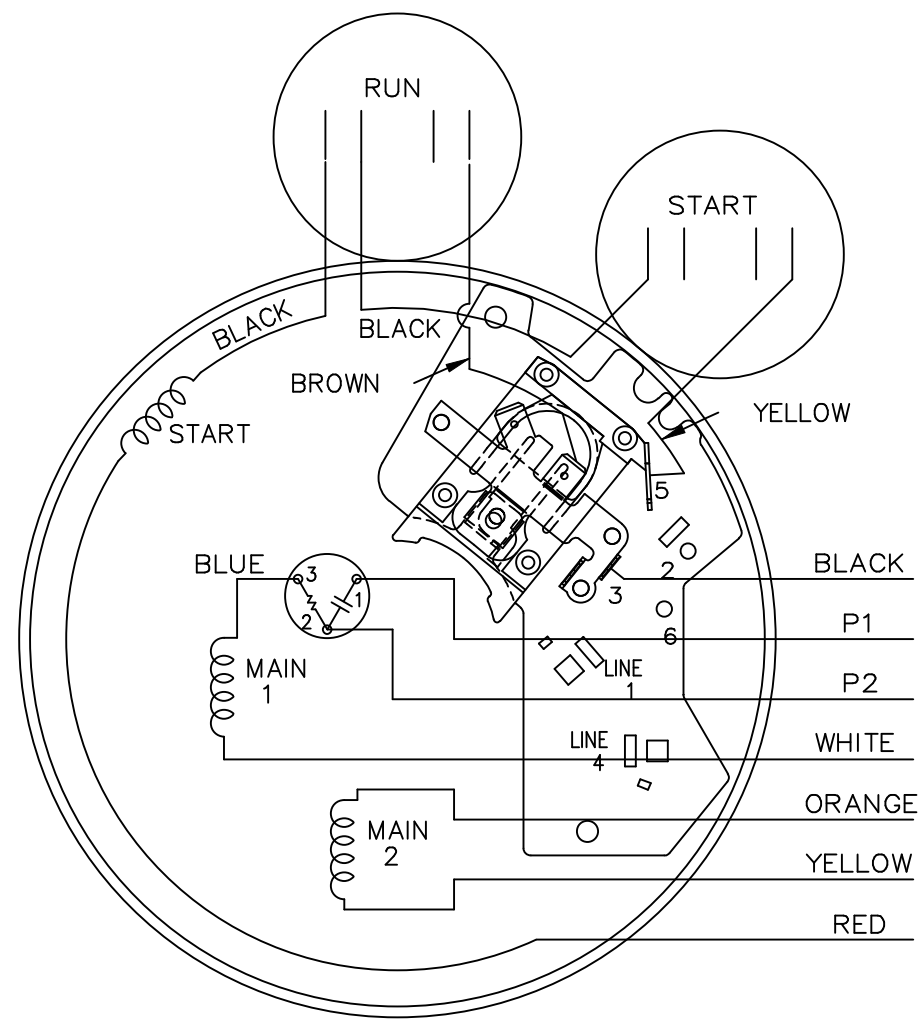
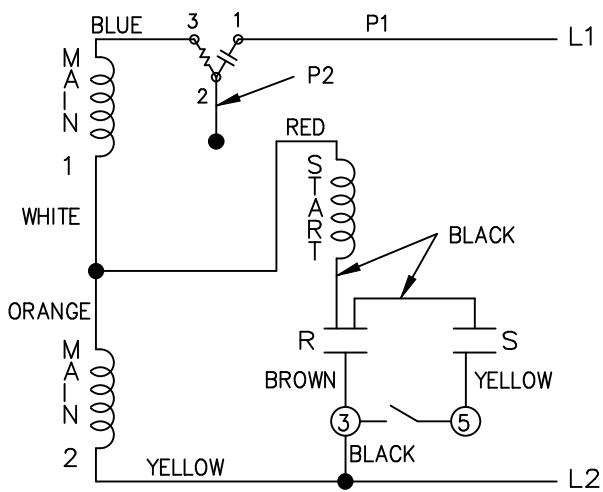
DASH	(C)	(AG)	BS		
631	13.44	11.38	4.15		
681	13.94	11.88	4.65		
731	14.44	12.38	5.15		
781	14.94	12.88	5.65		
831	15.44	13.38	6.15		
881	15.94	13.88	6.65		
931	16.44	14.38	7.15		
981	16.94	14.88	7.65		

		TOLERANCES UNLESS SPECIFIED		LEESON		ELECTRIC MOTORS GEARMOTORS AND DRIVES		DRAWN HLB 05-29-2002		
		DEC.	INCHES					CHK	ML 05-31-2002	
3	COND. BOX INSTALLED VIEW UPDATED PER ECR-0044571	UD	10/15/13	ST	.X	±.1	TITLE OUTLINE - 'C' FACE	APPD	SAS 05-31-2002	
2	REVISED C'BOX PER CN 40784A	JJB	02/26/2007	ML	.XX	±.03	56 FR. - EXP. PR.	SCALE	1=2	
1	NEW DRAWING	HLB	05-31-2002		.XXX	±.005		REF		
NO.	REVISION	BY & DATE	CHK	ANG	FINISH			FMF	PREV	
THIS DRAWING IN DESIGN AND DETAIL IS OUR PROPERTY AND MUST NOT BE USED EXCEPT IN CONNECTION WITH OUR WORK ALL RIGHTS OF DESIGN AND INVENTION ARE RESERVED THIS IS AN ELECTRONICALLY GENERATED DOCUMENT - DO NOT SCALE THIS PRINT				RFP	CAD FILE	104191LE	SIZE	DRAWING NO.	PAGE OF	REV.
				DIST	WP		B	104191LE	3	3

LOW VOLTAGE C.C.W.

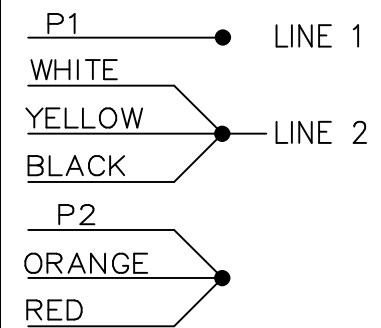


HIGH VOLTAGE C.C.W.

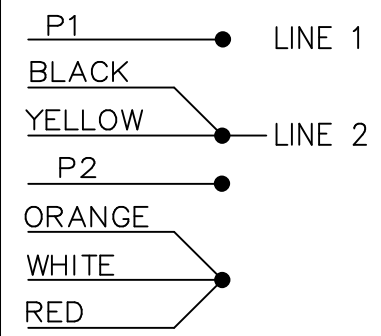


DUAL VOLTAGE
CAP. START-CAP. RUN
OVERLOAD SELECT
ROTATION.

LOW VOLT. CCW ROT.



HIGH VOLT. CCW ROT.



FOR CW ROT. EITHER
VOLTAGE INTERCHANGE
RED WITH BLACK LEAD.

				TOLERANCES UNLESS SPECIFIED		ELECTRIC MOTORS GEARMOTORS AND DRIVES	DRAWN VL 11/13/2007
				DEC.	INCHES		CHK
				.X	±.1		APPD VL 11/13/2007
				.XX	±.02		SCALE 5=8
				.XXX	±.005		REV
				.XXXX	±.0005	MAT'L.	FMF 116610.00
NO.	REVISION	BY & DATE	CHK	ANG	±7'30"	FINISH	PREV
THIS DRAWING IN DESIGN AND DETAIL IS OUR PROPERTY AND MUST NOT BE USED EXCEPT IN CONNECTION WITH OUR WORK ALL RIGHTS OF DESIGN AND INVENTION ARE RESERVED THIS IS AN ELECTRONICALLY GENERATED DOCUMENT - DO NOT SCALE THIS PRINT				RFP	CAD FILE 102006_95_le	SIZE A	DRAWING NO. 102006-95-LE
				DIST WP			PAGE OF REV.



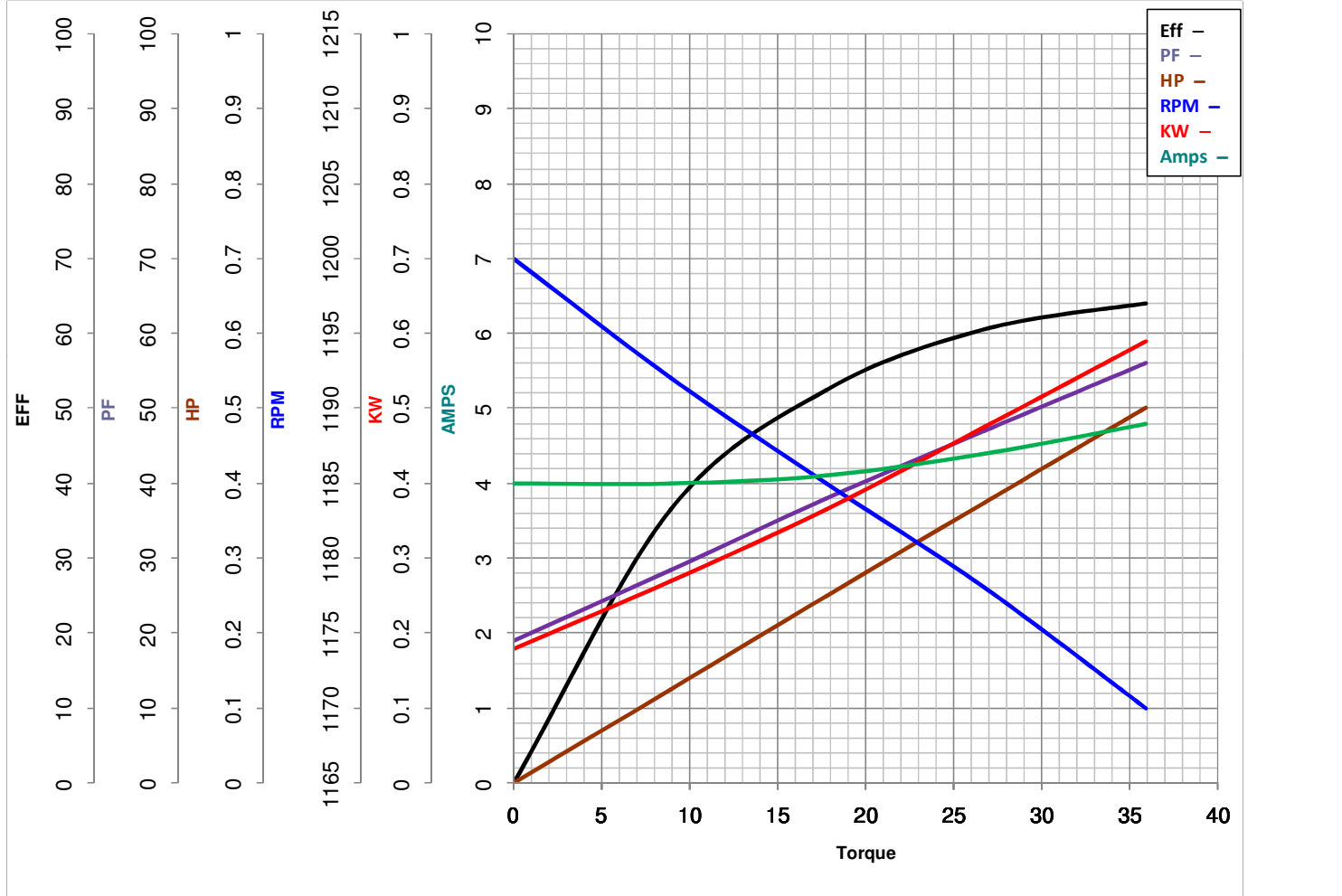
LEESON ELECTRIC CORPORATION
 TYPICAL PERFORMANCE CURVE for AC MOTOR

Model No 116610.00

Curve at 230 Volts HP 0.50 PHASE 1
60 HZ
0.5 HP VOLTS 115/208-230

Catalog No 116610.00

HZ 60 RPM 1140



FL TORQUE	<u>35.9</u> Oz.Ft	FL AMPS	<u>9.6/4.7-4.8</u>
BD TORQUE	<u>104.0</u> Oz.Ft	PU TORQUE	<u>78.9</u> Oz.Ft
LR TORQUE	<u>109</u> Oz.Ft	LR AMPS	<u>23.5</u>
WINDING	ZB601-3	Date	4/24/2018