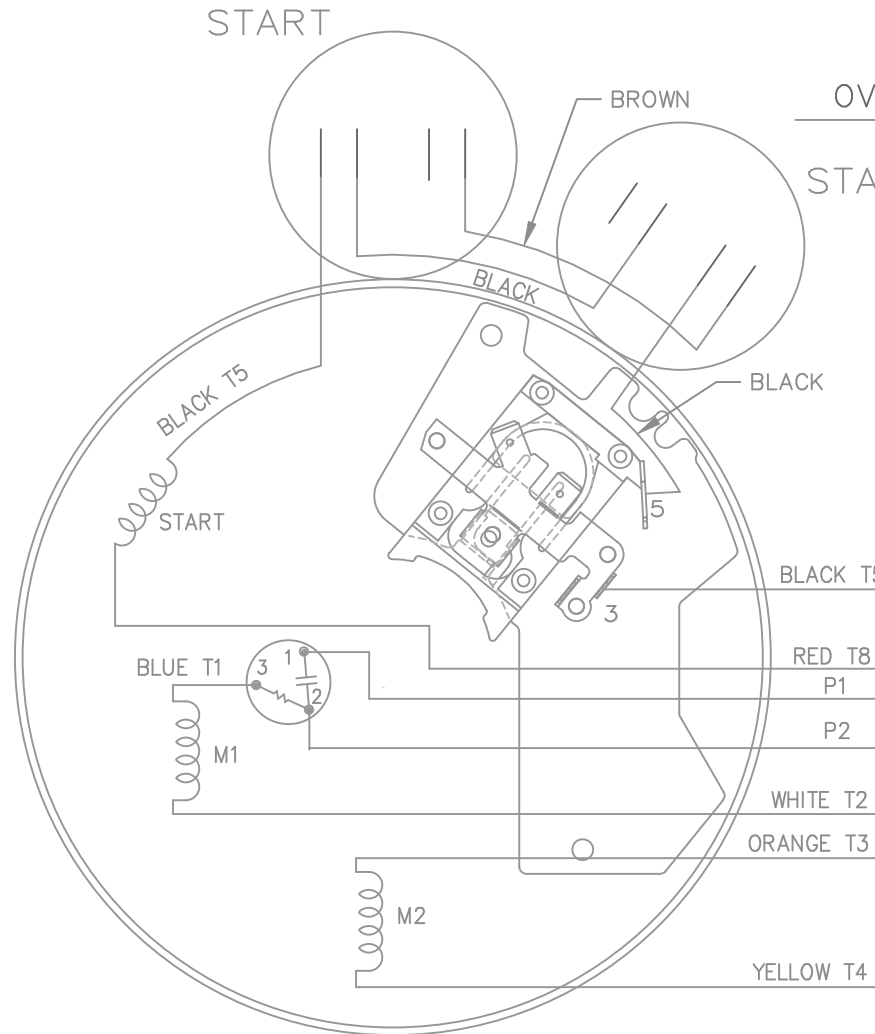
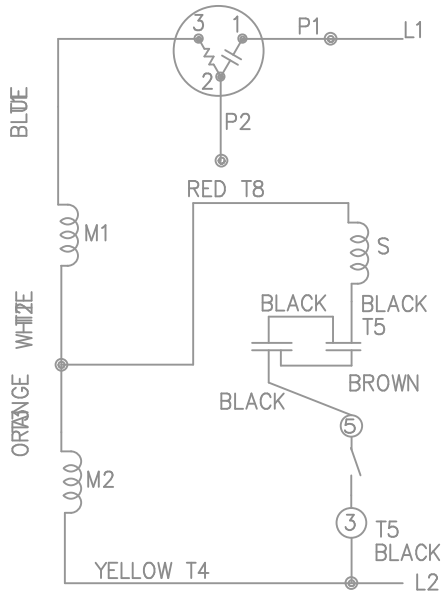
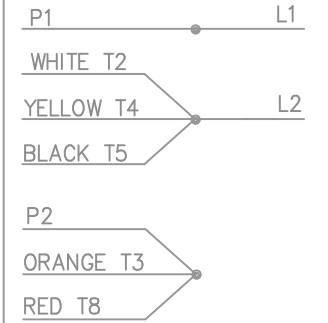


DUAL VOLTAGE
CAPACITOR START
OVERLOAD SELECT ROT.

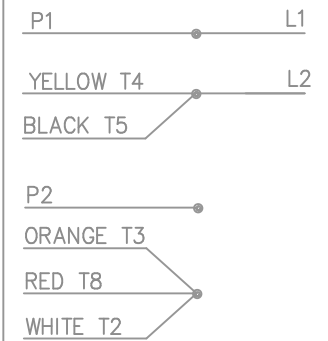
HIGH VOLTAGE - C.C.W.



LOW VOLT. - C.C.W. ROT.



HIGH VOLT. - C.C.W. ROT.



FOR C.W. ROTATION
EITHER VOLTAGE
INTERCHANGE RED(T8)
WITH BLACK(T5) LEAD

				TOLERANCES UNLESS SPECIFIED		ELECTRIC MOTORS GEARMOTORS AND DRIVES TITLE CONNECTION DIAGRAM MAT'L. FINISH	DRAWN MJD 02-11-1998			
				DEC.	INCHES		CHK ML 02-19-1998			
				.X	± -		APPD DAR 02-23-1998			
				.XX	± -		SCALE 5=8			
				.XXX	± -		REF			
				.XXXX	± -	FMF				
NO.	REVISION	BY & DATE	CHK	ANG	± -	PREV				
THIS DRAWING IN DESIGN AND DETAIL IS OUR PROPERTY AND MUST NOT BE USED EXCEPT IN CONNECTION WITH OUR WORK ALL RIGHTS OF DESIGN AND INVENTION ARE RESERVED THIS IS AN ELECTRONICALLY GENERATED DOCUMENT - DO NOT SCALE THIS PRINT				RFP	CAD FILE 102005-109		SIZE A	DRAWING NO. 102005-109LE	PAGE OF	REV. 0
				DIST	WP					