

PRODUCT INFORMATION PACKET



Model No: A6C34XC22J

Catalog No: 111098.00

1/2HP..3450RPM.56.EPFC./V.1PH.60HZ.CONT.AUTOMATIC.40C.1.0SF.ROUND.EXPLOSION-
PROOF.A6C34XC22J

Explosion Proof



Regal and Leeson are trademarks of Regal Beloit Corporation or one of its affiliated companies.

©2018 Regal Beloit Corporation, All Rights Reserved. MC017097E





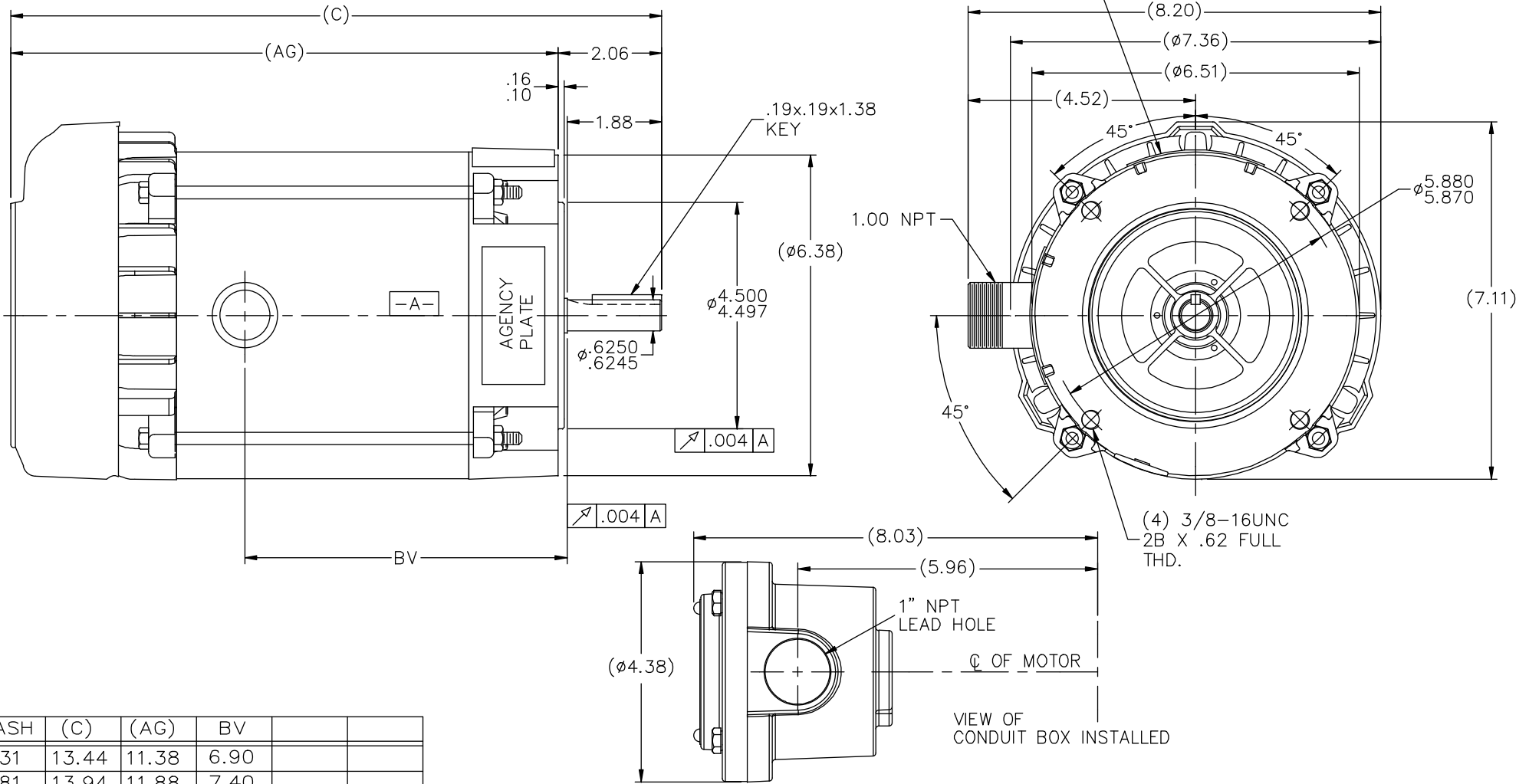
Nameplate Specifications

Output HP	0.50 Hp	Output KW	0.37 kW
Frequency	60 Hz	Voltage	115/208-230 V
Current	8.4/4.0-4.2 A	Speed	3450 rpm
Service Factor	1	Phase	1
Efficiency	59.5 %	Duty	Continuous
Insulation Class	B	Design Code	L
KVA Code	N	Frame	56C
Enclosure	Explosion Proof Fan cooled	Overload Protector	Automatic
Ambient Temperature	40 °C	Drive End Bearing Size	6203
Opp Drive End Bearing Size	6203	UL	Recognized
CSA	Y	CE	N
IP Code	54		

Technical Specifications

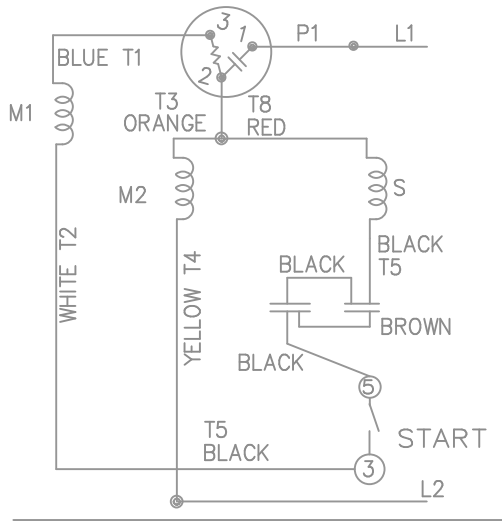
Electrical Type	Capacitor Start Induction Run	Starting Method	Across The Line
Poles	2	Rotation	Selective Counterclockwise
Mounting	Round	Motor Orientation	HORIZONTAL
Drive End Bearing	BALL	Opp Drive End Bearing	BALL
Frame Material	Rolled Steel	Shaft Type	NEMA 56
Overall Length	13.44 in	Frame Length	6.31 in
Shaft Diameter	0.625 in	Shaft Extension	1.88 in
Assembly/Box Mounting	F1 ONLY		
Outline Drawing	B-104188LE-631	Connection Diagram	A-102005-109LE

NAMEPLATES TO BE READ FROM SHAFT EXT. END.

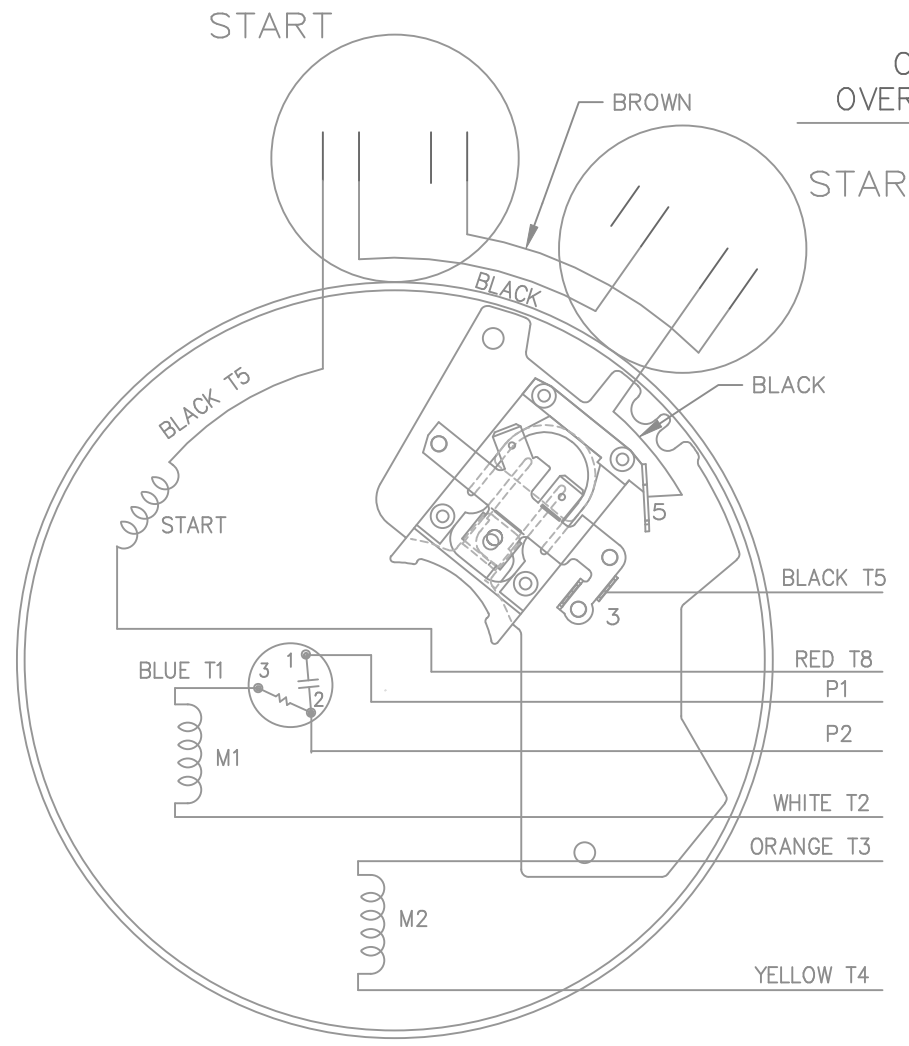
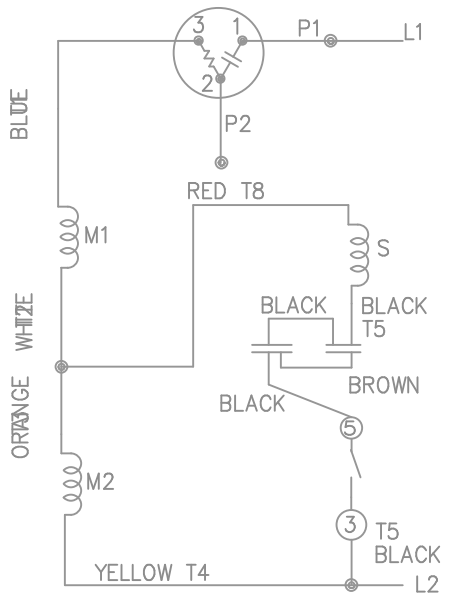


DASH	(C)	(AG)	BV		
631	13.44	11.38	6.90		
681	13.94	11.88	7.40		
731	14.44	12.38	7.90		
781	14.94	12.88	8.40		
831	15.44	13.38	8.90		
881	15.94	13.88	9.40		
931	16.44	14.38	9.90		
981	16.94	14.88	10.40		

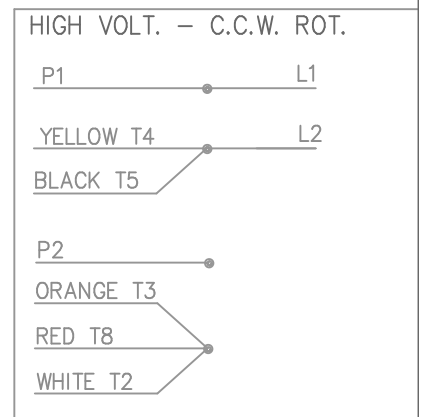
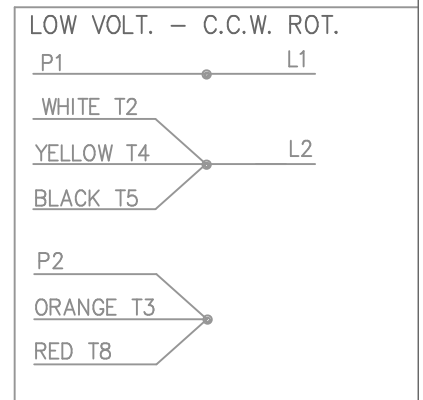
		TOLERANCES UNLESS SPECIFIED		LEESON		ELECTRIC MOTORS GEARMOTORS AND DRIVES		DRAWN RJW 06-22-2007	
		DEC.	INCHES					CHK	ML 06-22-2007
		.X	±.1					APPD	GK 06-22-2007
		.XX	±.03	TITLE		OUTLINE - 'C' FACE		SCALE	17=32
		.XXX	±.005			56 FR. - EXP. PR.		REF	
01	COND. BOX INSTALLED VIEW UPDATED PER ECR-0044571	UD	10/10/13	ST	.XXXX	±.0005	MAT'L.	FMF	
NO.	REVISION	BY & DATE	CHK	ANG	FINISH		PREV		
	THIS DRAWING IN DESIGN AND DETAIL IS OUR PROPERTY AND MUST NOT BE USED EXCEPT IN CONNECTION WITH OUR WORK ALL RIGHTS OF DESIGN AND INVENTION ARE RESERVED THIS IS AN ELECTRONICALLY GENERATED DOCUMENT - DO NOT SCALE THIS PRINT			RFP	06-22-2007	CAD FILE	104188LE	SIZE	DRAWING NO. PAGE OF REV.
			DIST	WP			B	104188LE	01




HIGH VOLTAGE - C.C.W.



DUAL VOLTAGE CAPACITOR START OVERLOAD SELECT ROT.



FOR C.W. ROTATION
 EITHER VOLTAGE
 INTERCHANGE RED(T8)
 WITH BLACK(T5) LEAD

				TOLERANCES UNLESS SPECIFIED		 ELECTRIC MOTORS GEARMOTORS AND DRIVES	DRAWN MJD 02-11-1998				
				DEC.	INCHES		CHK ML 02-19-1998				
				.X	± -		APPD DAR 02-23-1998				
				.XX	± -		SCALE 5=8				
				.XXX	± -		REF				
				.XXX	± -	TITLE CONNECTION DIAGRAM					
				.XXXX	± -	MAT'L.					
NO.	REVISION	BY & DATE	CHK	ANG	± -	FINISH					
THIS DRAWING IN DESIGN AND DETAIL IS OUR PROPERTY AND MUST NOT BE USED EXCEPT IN CONNECTION WITH OUR WORK ALL RIGHTS OF DESIGN AND INVENTION ARE RESERVED THIS IS AN ELECTRONICALLY GENERATED DOCUMENT - DO NOT SCALE THIS PRINT				RFP	CAD FILE 102005-109			SIZE A	DRAWING NO. 102005-109LE	PAGE OF	REV. 0
				DIST	WP						



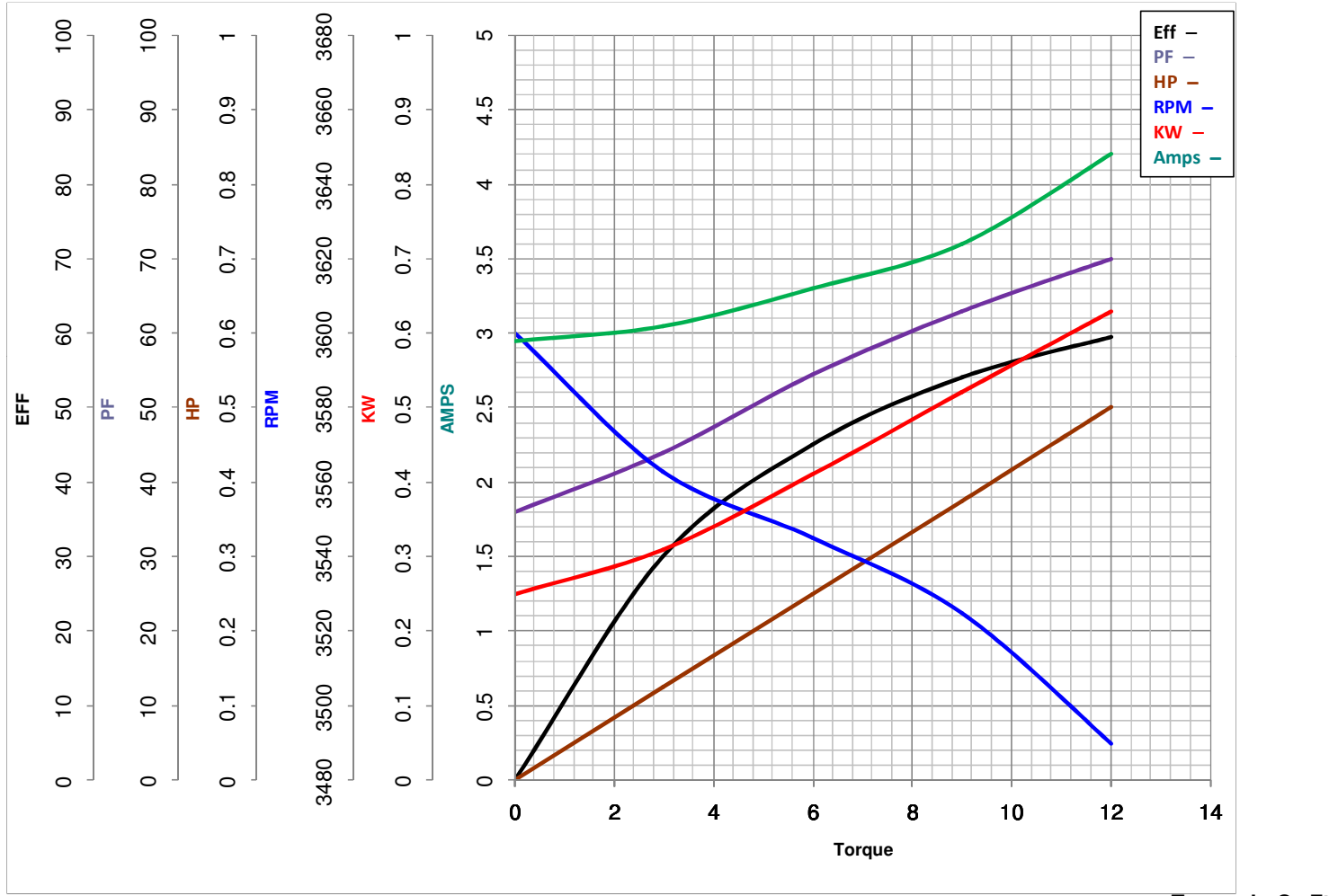
LEESON ELECTRIC CORPORATION
 TYPICAL PERFORMANCE CURVE for AC MOTOR

Model No 111098.00

Catalog No 111098.00

Curve at 230 Volts HP 0.50 PHASE 1
60 HZ
0.5 HP VOLTS 115/208-230

HZ 60 RPM 3450



FL TORQUE	<u>12</u>	Oz.Ft	FL AMPS	<u>8.4/4-4.2</u>
BD TORQUE	<u>37.5</u>	Oz.Ft	PU TORQUE	<u>35.2</u> Oz.Ft
LR TORQUE	<u>46</u>	Oz.Ft	LR AMPS	<u>24.8</u>
WINDING	ZC280-3		Date	3/14/2018