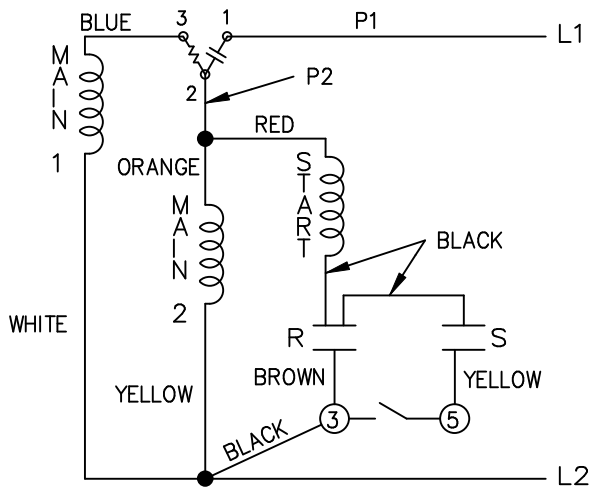
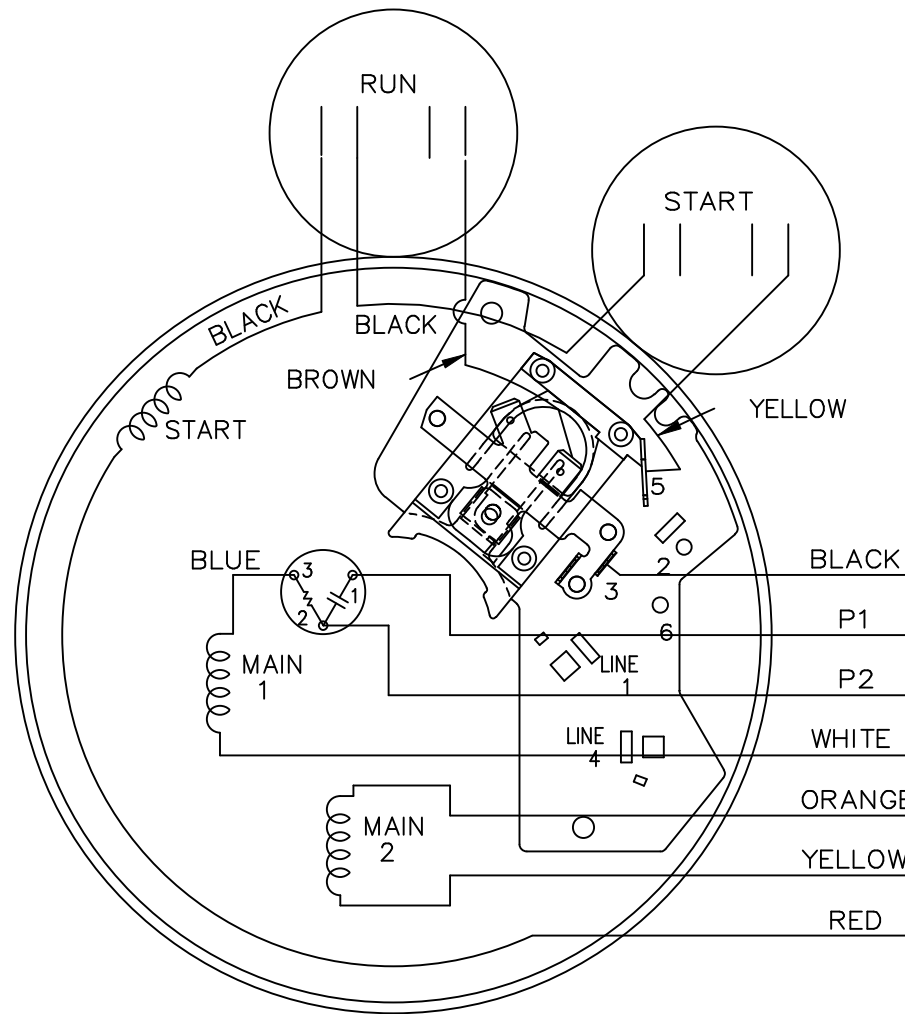
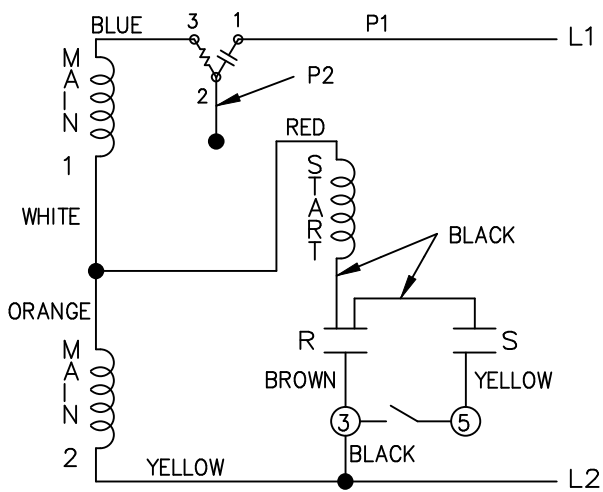


LOW VOLTAGE C.C.W.

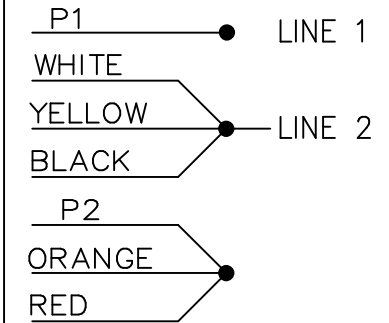


HIGH VOLTAGE C.C.W.

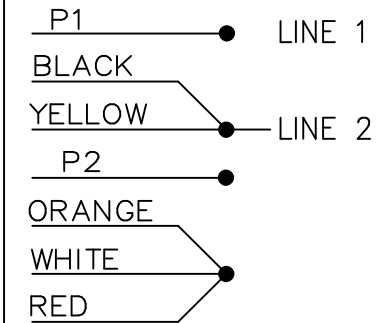


DUAL VOLTAGE
CAP. START-CAP. RUN
OVERLOAD SELECT
ROTATION.


LOW VOLT. CCW ROT.



HIGH VOLT. CCW ROT.



FOR CW ROT. EITHER
VOLTAGE INTERCHANGE
RED WITH BLACK LEAD.

				TOLERANCES UNLESS SPECIFIED		 ELECTRIC MOTORS GEARMOTORS AND DRIVES	DRAWN VL 11/13/2007			
				DEC.	INCHES		CHK			
				.X	±.1		APPD VL 11/13/2007			
				.XX	±.02		SCALE 5=8			
				.XXX	±.005		REV			
				.XXXX	±.0005	MAT'L.	FMF 116610.00			
NO.	REVISION	BY & DATE	CHK	ANG	±7'30"	FINISH	PREV			
THIS DRAWING IN DESIGN AND DETAIL IS OUR PROPERTY AND MUST NOT BE USED EXCEPT IN CONNECTION WITH OUR WORK ALL RIGHTS OF DESIGN AND INVENTION ARE RESERVED THIS IS AN ELECTRONICALLY GENERATED DOCUMENT - DO NOT SCALE THIS PRINT				RFP		CAD FILE 102006_95_le	SIZE A	DRAWING NO. 102006-95-LE	PAGE OF	REV.
				DIST	WP					