

PRODUCT INFORMATION PACKET



Model No: A6C34XC26C

Catalog No: 114424.00

..1 1/2HP..3450RPM.56.EPFC./V.1PH.60HZ.CONT.40C.1SF.ROUND.A6C34XC26C.....EXPLOSION-
PROOF.AUTOMATIC.....

Explosion Proof



Regal and Leeson are trademarks of Regal Beloit Corporation or one of its affiliated companies.

©2018 Regal Beloit Corporation, All Rights Reserved. MC017097E





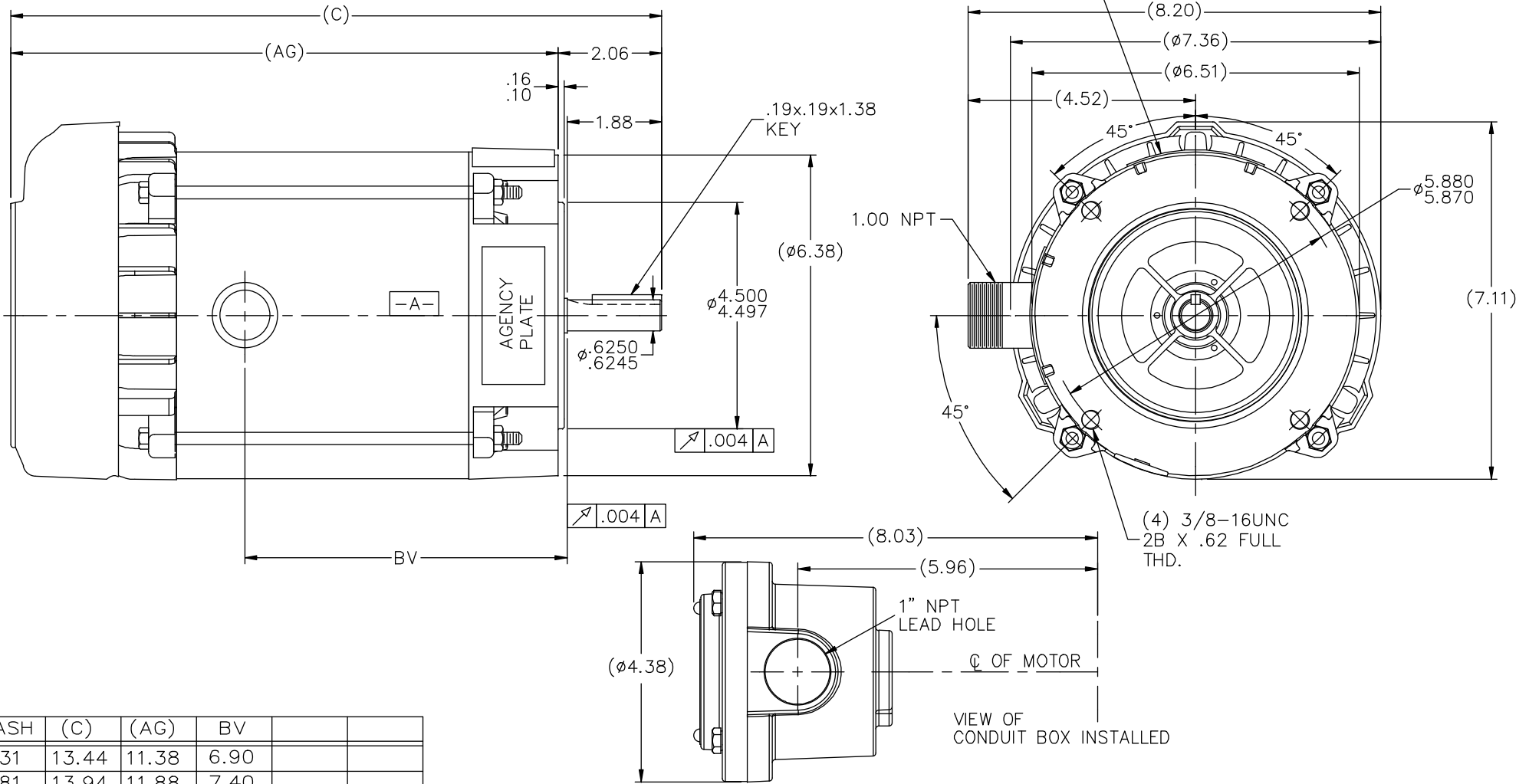
Nameplate Specifications

Output HP	1.50 Hp	Output KW	1.1 kW
Frequency	60 Hz	Voltage	115/208-230 V
Current	15.4/8.4-7.7 A	Speed	3450 rpm
Service Factor	1	Phase	1
Efficiency	77 %	Duty	Continuous
Insulation Class	B	Design Code	L
KVA Code	H	Frame	56C
Enclosure	Explosion Proof Fan cooled	Overload Protector	Automatic
Ambient Temperature	40 °C	Drive End Bearing Size	6203
Opp Drive End Bearing Size	6203	UL	Recognized
CSA	Y	CE	N
IP Code	54		


Technical Specifications

Electrical Type	Capacitor Start Capacitor Run	Starting Method	Across The Line
Poles	2	Rotation	Selective Counterclockwise
Mounting	Round	Motor Orientation	HORIZONTAL
Drive End Bearing	BALL	Opp Drive End Bearing	BALL
Frame Material	Rolled Steel	Shaft Type	NEMA 56
Overall Length	14.44 in	Frame Length	7.31 in
Shaft Diameter	0.625 in	Shaft Extension	1.88 in
Assembly/Box Mounting	F1 ONLY		
Outline Drawing	B-104188LE-731	Connection Diagram	A-102006-95-LE

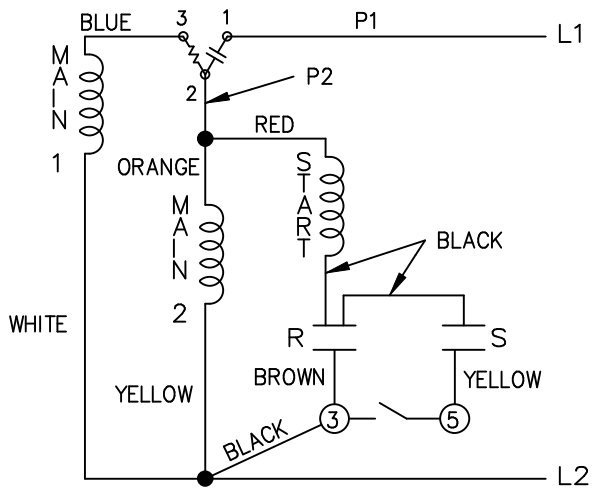
NAMEPLATES TO BE READ FROM SHAFT EXT. END.



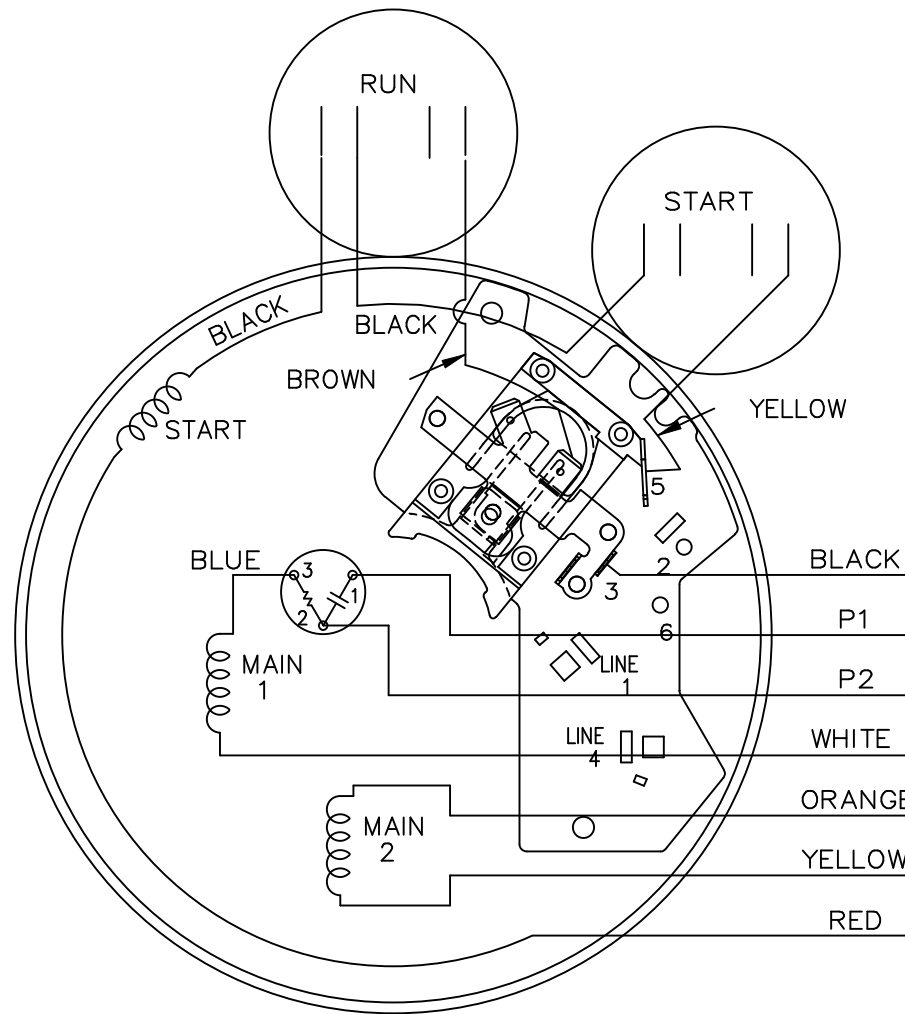
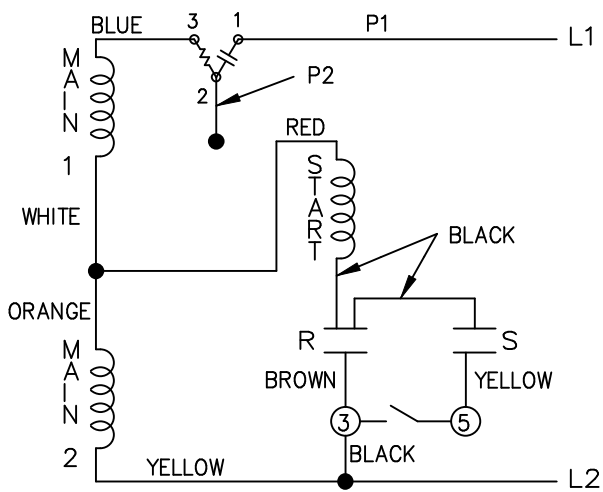
DASH	(C)	(AG)	BV		
631	13.44	11.38	6.90		
681	13.94	11.88	7.40		
731	14.44	12.38	7.90		
781	14.94	12.88	8.40		
831	15.44	13.38	8.90		
881	15.94	13.88	9.40		
931	16.44	14.38	9.90		
981	16.94	14.88	10.40		

		TOLERANCES UNLESS SPECIFIED		 ELECTRIC MOTORS GEARMOTORS AND DRIVES		DRAWN RJW 06-22-2007	
		DEC.	INCHES			CHK	ML 06-22-2007
		.X	±.1			APPD	GK 06-22-2007
		.XX	±.03	TITLE OUTLINE - 'C' FACE 56 FR. - EXP. PR.		SCALE	17=32
		.XXX	±.005			REF	
01	COND. BOX INSTALLED VIEW UPDATED PER ECR-0044571	UD	10/10/13	ST	.XXXX ±.0005	MAT'L.	FMF
NO.	REVISION	BY & DATE		CHK	ANG ±7'30"	FINISH	PREV
THIS DRAWING IN DESIGN AND DETAIL IS OUR PROPERTY AND MUST NOT BE USED EXCEPT IN CONNECTION WITH OUR WORK ALL RIGHTS OF DESIGN AND INVENTION ARE RESERVED THIS IS AN ELECTRONICALLY GENERATED DOCUMENT - DO NOT SCALE THIS PRINT				RFP	06-22-2007	CAD FILE	104188LE
				DIST	WP	SIZE	DRAWING NO. PAGE OF REV. B 104188LE 01

LOW VOLTAGE C.C.W.

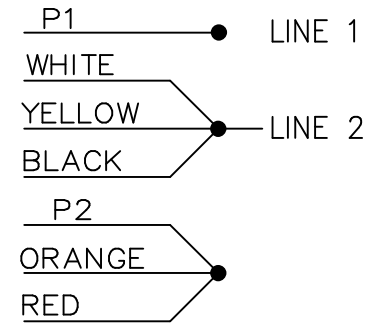


HIGH VOLTAGE C.C.W.

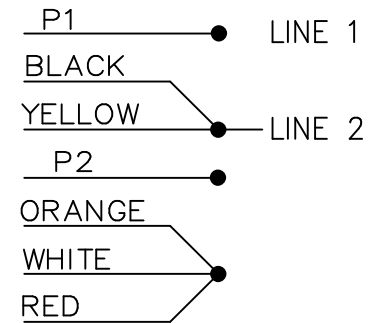


DUAL VOLTAGE
CAP. START-CAP. RUN
OVERLOAD SELECT
ROTATION.


LOW VOLT. CCW ROT.



HIGH VOLT. CCW ROT.



FOR CW ROT. EITHER
VOLTAGE INTERCHANGE
RED WITH BLACK LEAD.

				TOLERANCES UNLESS SPECIFIED		 ELECTRIC MOTORS GEARMOTORS AND DRIVES	DRAWN VL 11/13/2007			
				DEC.	INCHES		CHK			
				.X	±.1		APPD VL 11/13/2007			
				.XX	±.02		SCALE 5=8			
				.XXX	±.005		REV			
				.XXXX	±.0005	MAT'L.	FMF 116610.00			
NO.	REVISION	BY & DATE	CHK	ANG	±7'30"	FINISH	PREV			
THIS DRAWING IN DESIGN AND DETAIL IS OUR PROPERTY AND MUST NOT BE USED EXCEPT IN CONNECTION WITH OUR WORK ALL RIGHTS OF DESIGN AND INVENTION ARE RESERVED THIS IS AN ELECTRONICALLY GENERATED DOCUMENT - DO NOT SCALE THIS PRINT				RFP		CAD FILE 102006_95_le	SIZE A	DRAWING NO. 102006-95-LE	PAGE OF	REV.
				DIST	WP					



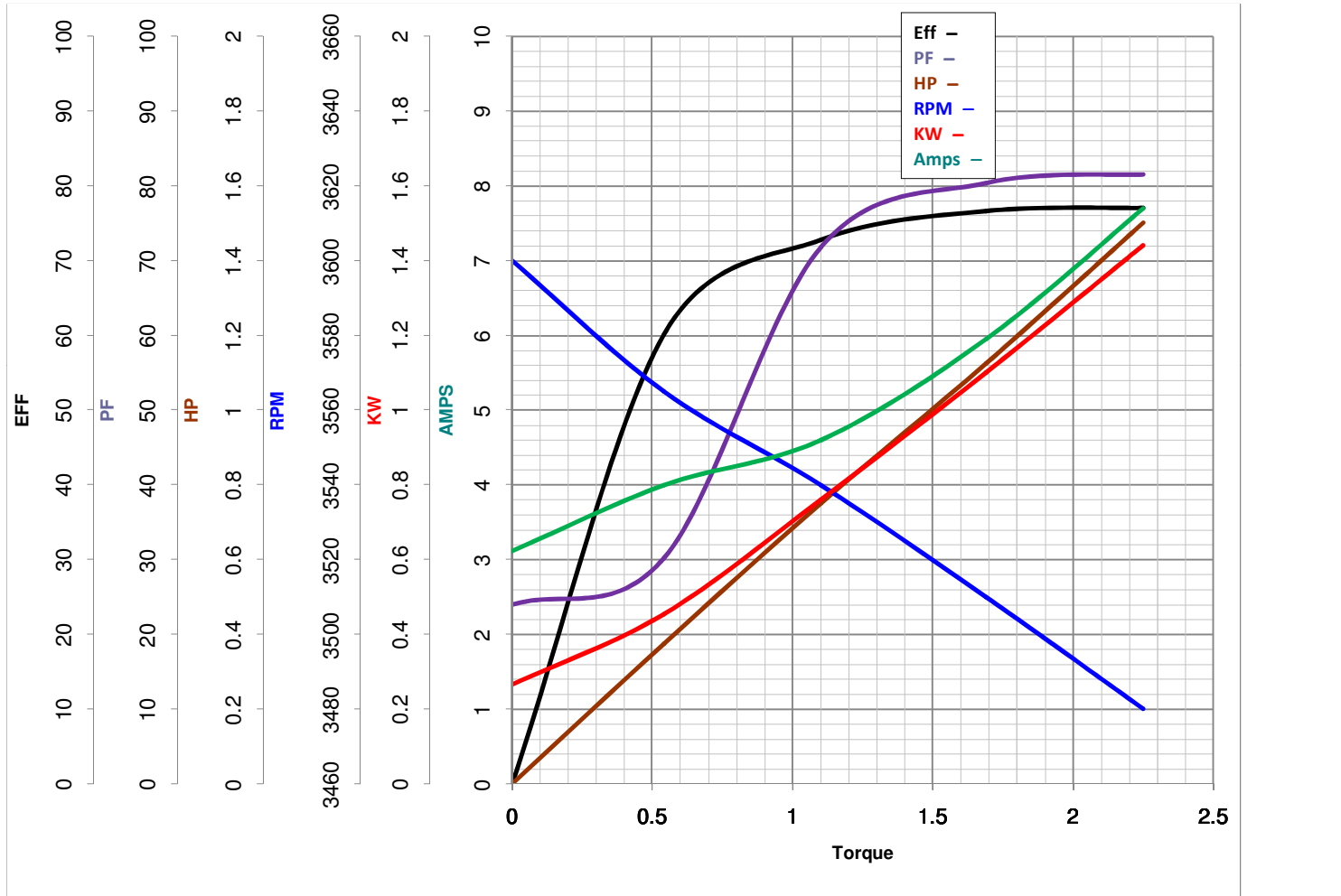
LEESON ELECTRIC CORPORATION
 TYPICAL PERFORMANCE CURVE for AC MOTOR

Model No 114424.00

Catalog No 114424.00

Curve at 230 Volts HP 1.50 PHASE 1
60 HZ
1.5 HP VOLTS 115/208-230

HZ 60 RPM 3450



Torque in Lb.Ft

FL TORQUE 2.25 Lb.Ft
 BD TORQUE 5.4 Lb.Ft
 LR TORQUE 4.4 Lb.Ft

FL AMPS 15.4/8.4-7.7
 PU TORQUE 3.7 Lb.Ft
 LR AMPS 42.2

WINDING ZB256-3

Date 3/20/2018