

PRODUCT INFORMATION PACKET



Model No: A6C34XC33C

Catalog No: 116185.00

1HP..3450RPM.56.EPFC./V.1PH.60HZ.CONT.AUTOMATIC.40C.1.0SF.ROUND.EXPLOSION-
PROOF.A6C34XC33C.A

Explosion Proof



Regal and Leeson are trademarks of Regal Beloit Corporation or one of its affiliated companies.

©2018 Regal Beloit Corporation, All Rights Reserved. MC017097E





Nameplate Specifications

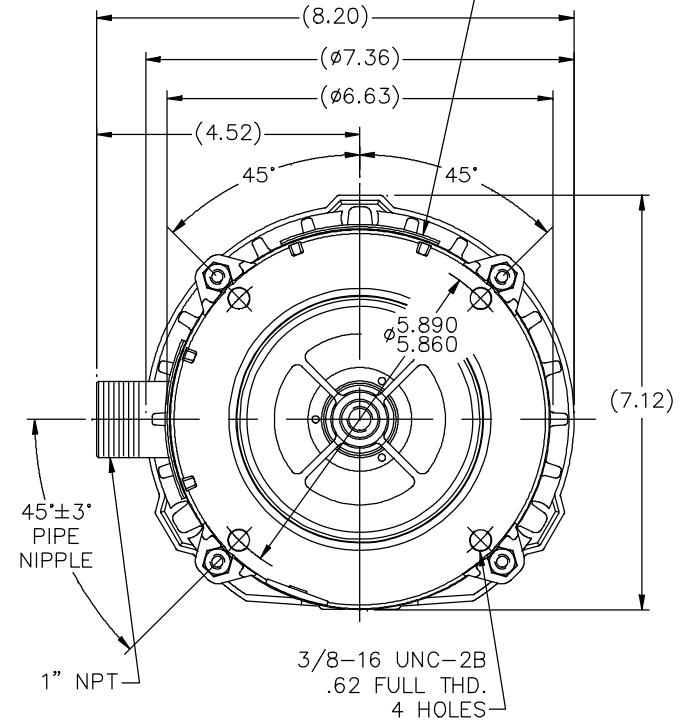
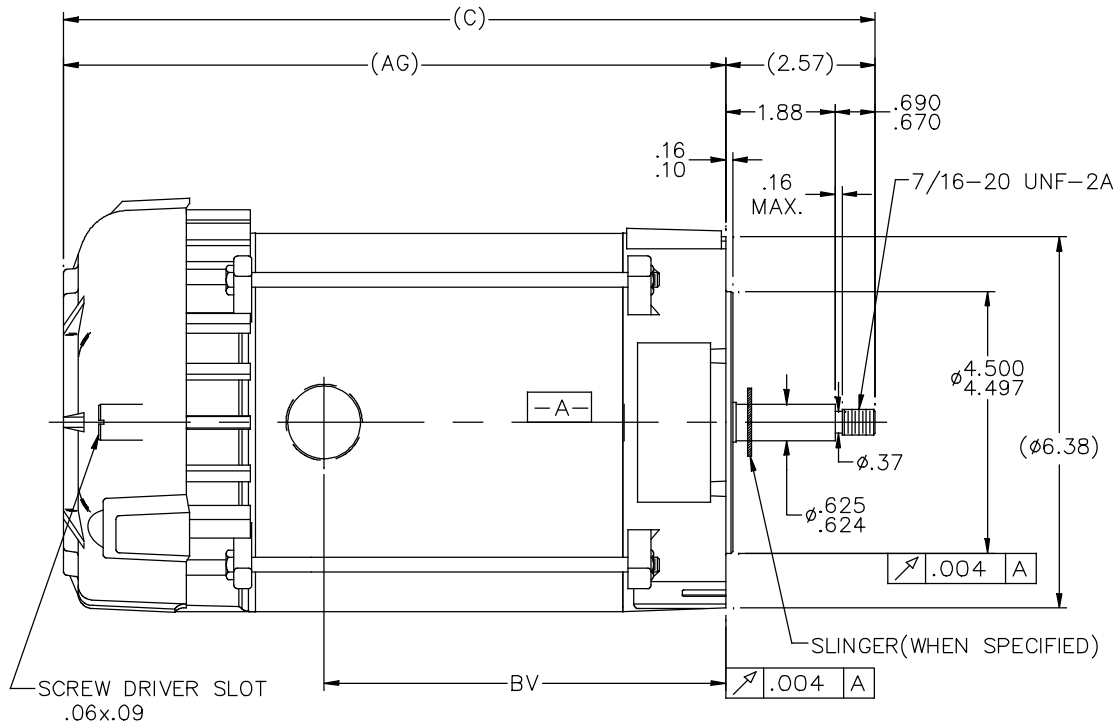
Output HP	1 Hp	Output KW	0.75 kW
Frequency	60 Hz	Voltage	115/208-230 V
Current	12.4/6.7-6.2 A	Speed	3450 rpm
Service Factor	1	Phase	1
Efficiency	72 %	Duty	Continuous
Insulation Class	B	Design Code	N
KVA Code	K	Frame	56J
Enclosure	Explosion Proof Fan cooled	Overload Protector	Automatic
Ambient Temperature	40 °C	Drive End Bearing Size	6203
Opp Drive End Bearing Size	6203	UL	Recognized
CSA	Y	CE	N
IP Code	54		

Technical Specifications

Electrical Type	Capacitor Start Induction Run	Starting Method	Across The Line
Poles	2	Rotation	Fixed Clockwise
Mounting	Round	Motor Orientation	HORIZONTAL
Drive End Bearing	BALL	Opp Drive End Bearing	BALL
Frame Material	Rolled Steel	Shaft Type	J
Overall Length	14.95 in	Frame Length	7.31 in
Shaft Diameter	0.625 in	Shaft Extension	2.44 in
Assembly/Box Mounting	F1 ONLY		
Outline Drawing	B-104213LE-731	Connection Diagram	A-102005-66-LE

104213LE

NAMEPLATES TO BE READ FROM SHAFT EXT. END



DASH	C	AG	BV
631	13.95	11.38	6.90
681	14.45	11.88	7.40
731	14.95	12.88	8.40
831	15.95	13.38	8.90
881	16.45	13.88	9.40
931	16.95	14.38	9.90
981	17.45	14.88	10.40

TOLERANCES UNLESS SPECIFIED		DEC.		INCHES	
		.X		±.1	
		.XX		±.03	
		.XXX		±.005	
A	ADDED NOTE TO SLINGER	MVG	01/24/18	SM	.XXX ±.0005
	REVISION		BY & DATE		FINISH
NO.		CHK	ANG	±7'30"	MAT'L
THIS DRAWING IN DESIGN AND DETAIL IS OUR PROPERTY AND MUST NOT BE USED EXCEPT IN CONNECTION WITH OUR WORK. ALL RIGHTS OF DESIGN AND INVENTION ARE RESERVED. THIS IS AN ELECTRONICALLY GENERATED DOCUMENT - DO NOT SCALE THIS PRINT.					
RFP		06-22-2007		CAD FILE 104213LE	
DIST		WP		SIZE	DRAWING NO. PAGE OF REV.
				B	104213LE A

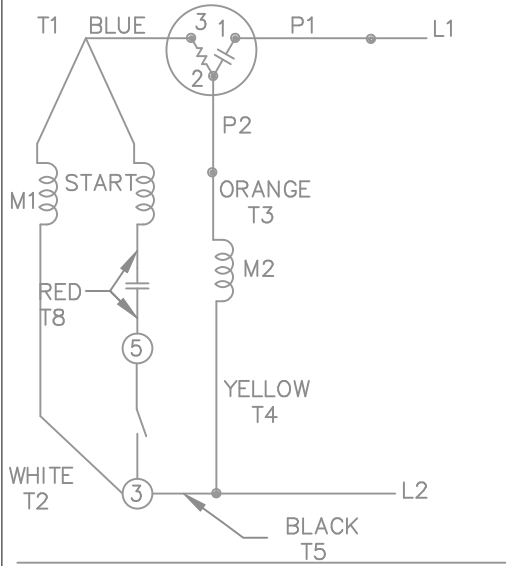


ELECTRIC MOTORS
GEARMOTORS
AND DRIVES

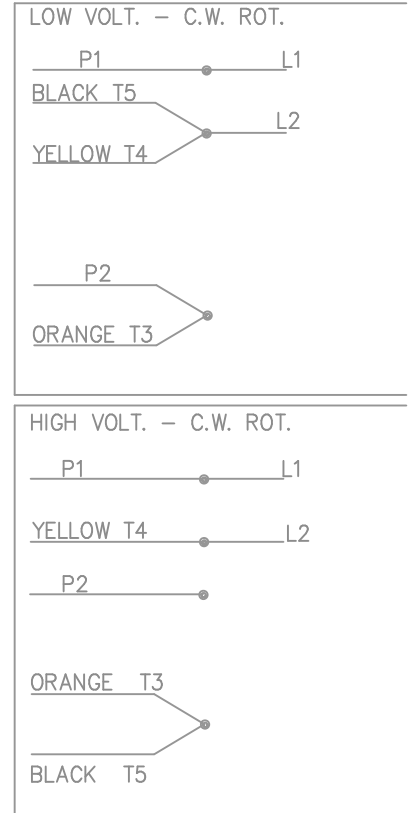
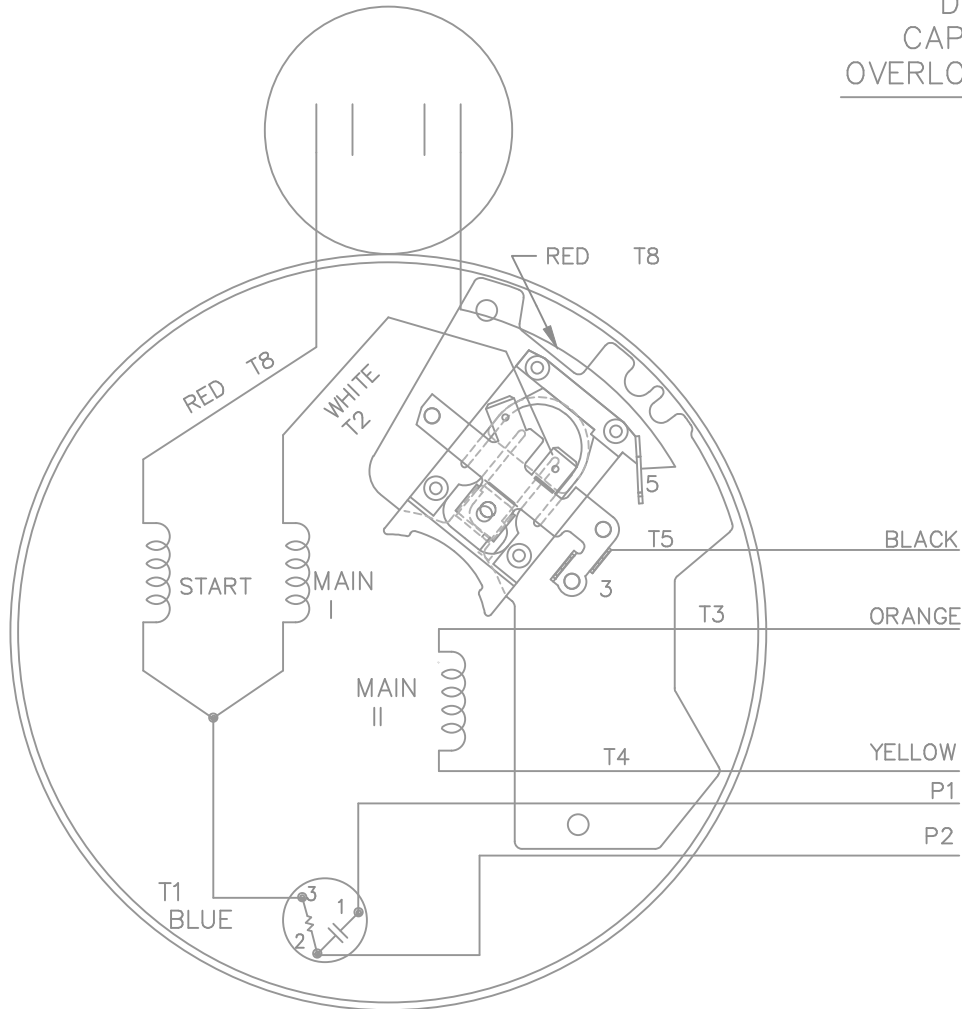
DRAWN RJW 06-22-2007
CHK ML 06-22-2007
APPD GK 06-22-2007

TITLE OUTLINE
56 FR. - C'FACE - EXP. PR.

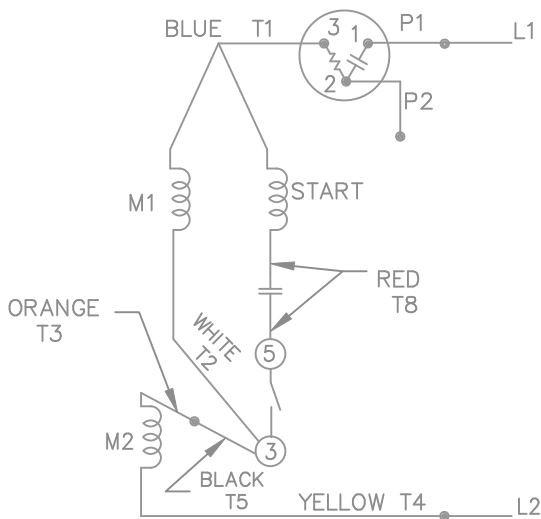
SCALE 1=2
REF
FMF
PREV




DUAL VOLTAGE
CAPACITOR START
OVERLOAD - C.W. FIXED



HIGH VOLTAGE - C.W.



				TOLERANCES UNLESS SPECIFIED		 ELECTRIC MOTORS GEARMOTORS AND DRIVES	DRAWN NJS 08-28-2003			
				DEC.	INCHES		CHK ML 08-28-2003			
				.X	±.1		APPD JET 08-28-2003			
				.XX	±.02			SCALE 5=8		
				.XXX	±.005			REF		
1	NEW DRAWING	NJS 08-28-2003	JET	.XXXX	±.0005	MAT'L.	FMF			
NO.	REVISION	BY & DATE	CHK	ANG	±7'30"	FINISH	PREV			
THIS DRAWING IN DESIGN AND DETAIL IS OUR PROPERTY AND MUST NOT BE USED EXCEPT IN CONNECTION WITH OUR WORK ALL RIGHTS OF DESIGN AND INVENTION ARE RESERVED THIS IS AN ELECTRONICALLY GENERATED DOCUMENT - DO NOT SCALE THIS PRINT				RFP		CAD FILE 102005-66-LE	SIZE A	DRAWING NO. 102005-66-LE	PAGE OF 1	REV. 1
				DIST	WP					



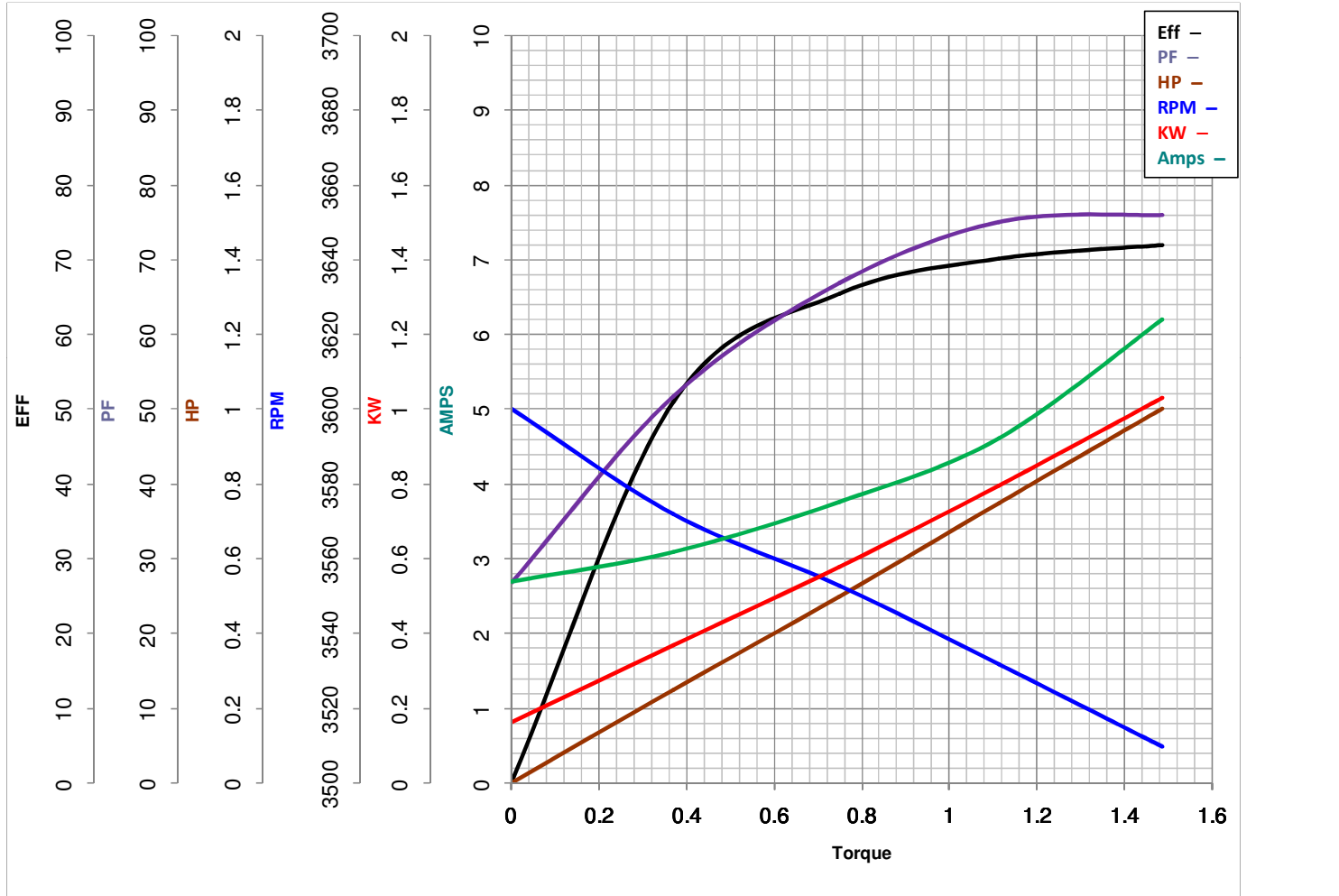
LEESON ELECTRIC CORPORATION
 TYPICAL PERFORMANCE CURVE for AC MOTOR

Model No 116185.00

Curve at 230 Volts HP 1.00 PHASE 1
60 HZ
1 HP VOLTS 115/208-230

Catalog No 116185.00

HZ 60 RPM 3450



Torque in Lb.Ft

FL TORQUE 1.488 Lb.Ft
 BD TORQUE 3.9 Lb.Ft
 LR TORQUE 4.713 Lb.Ft

FL AMPS 12.4/6.7-6.2
 PU TORQUE 3.5 Lb.Ft
 LR AMPS 36.9

WINDING ZC223-3

Date 4/19/2018