

PRODUCT INFORMATION PACKET



Model No: A6C34XC34C

Catalog No: 116183.00

..1 1/2HP..3450RPM.56.EPFC.115/208-

230V.1PH.60HZ.CONT.40C.1SF.ROUND.A6C34XC34C.....EXPLOSION-PROOF.AUTOMATIC.....

Explosion Proof



Regal and Leeson are trademarks of Regal Beloit Corporation or one of its affiliated companies.

©2018 Regal Beloit Corporation, All Rights Reserved. MC017097E





Nameplate Specifications

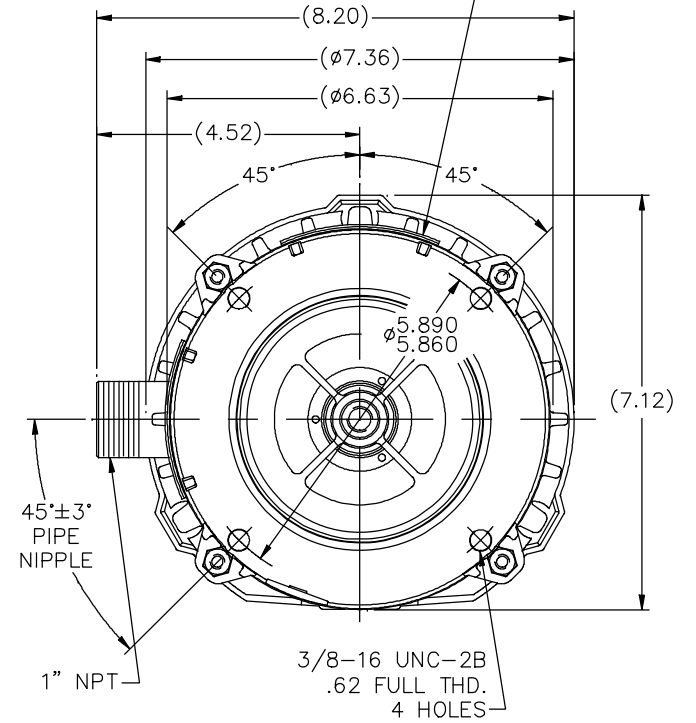
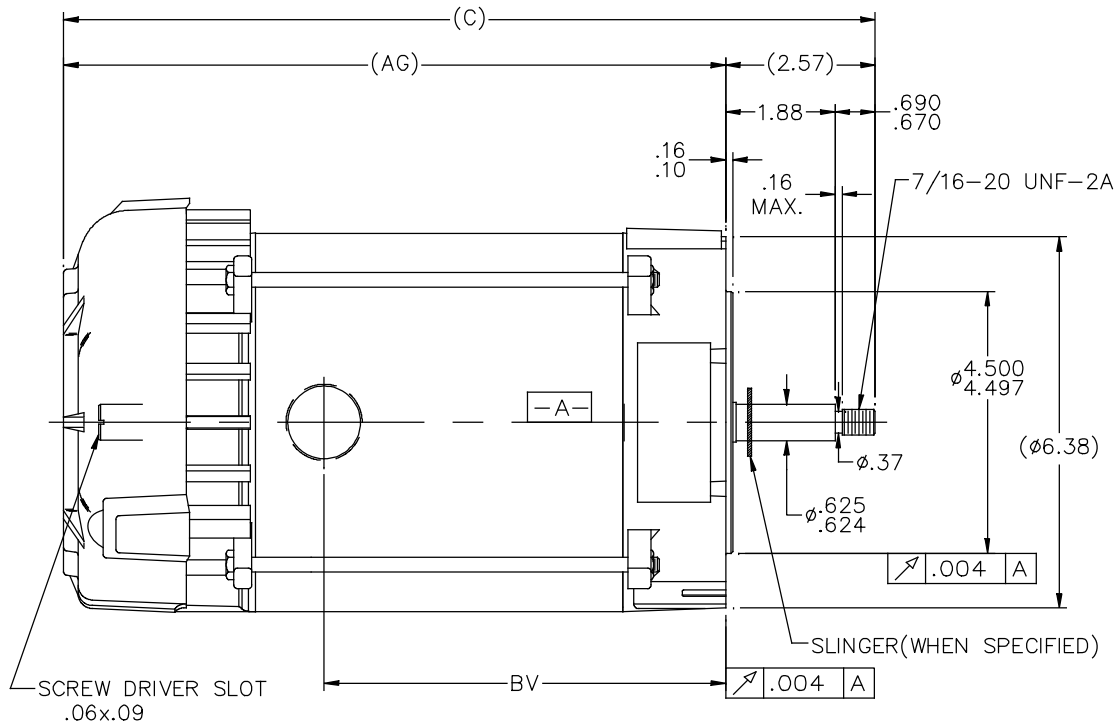
Output HP	1.50 Hp	Output KW	1.1 kW
Frequency	60 Hz	Voltage	115/208-230 V
Current	15.4/8.4-7.7 A	Speed	3450 rpm
Service Factor	1	Phase	1
Efficiency	77 %	Duty	Continuous
Insulation Class	B	Design Code	L
KVA Code	H	Frame	56J
Enclosure	Explosion Proof Fan cooled	Overload Protector	Automatic
Ambient Temperature	40 °C	Drive End Bearing Size	6203
Opp Drive End Bearing Size	6203	UL	Recognized
CSA	Y	CE	N
IP Code	54		

Technical Specifications

Electrical Type	Capacitor Start Capacitor Run	Starting Method	Across The Line
Poles	2	Rotation	Fixed Clockwise
Mounting	Round	Motor Orientation	HORIZONTAL
Drive End Bearing	BALL	Opp Drive End Bearing	BALL
Frame Material	Rolled Steel	Shaft Type	J
Overall Length	14.95 in	Frame Length	7.31 in
Shaft Diameter	0.625 in	Shaft Extension	2.44 in
Assembly/Box Mounting	F1 ONLY		
Outline Drawing	B-104213LE-731	Connection Diagram	A-102006-66-LE

104213LE

NAMEPLATES TO BE READ FROM SHAFT EXT. END



DASH	C	AG	BV
631	13.95	11.38	6.90
681	14.45	11.88	7.40
731	14.95	12.88	8.40
831	15.95	13.38	8.90
881	16.45	13.88	9.40
931	16.95	14.38	9.90
981	17.45	14.88	10.40

TOLERANCES UNLESS SPECIFIED		DEC.		INCHES	
		.X		±.1	
		.XX		±.03	
		.XXX		±.005	
A	ADDED NOTE TO SLINGER	MVG	01/24/18	SM	.XXX ±.0005
	REVISION		BY & DATE		FINISH
NO.		CHK	ANG	±7'30"	MAT'L
THIS DRAWING IN DESIGN AND DETAIL IS OUR PROPERTY AND MUST NOT BE USED EXCEPT IN CONNECTION WITH OUR WORK. ALL RIGHTS OF DESIGN AND INVENTION ARE RESERVED. THIS IS AN ELECTRONICALLY GENERATED DOCUMENT - DO NOT SCALE THIS PRINT.					
RFP		06-22-2007		CAD FILE 104213LE	
DIST		WP		SIZE	DRAWING NO. PAGE OF REV.
				B	104213LE A



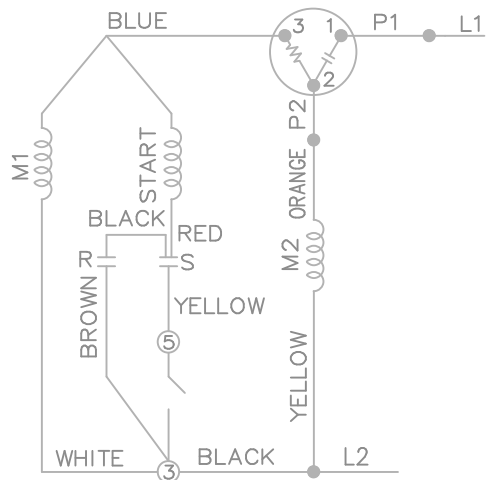
ELECTRIC MOTORS
GEARMOTORS
AND DRIVES

DRAWN RJW 06-22-2007
CHK ML 06-22-2007
APPD GK 06-22-2007

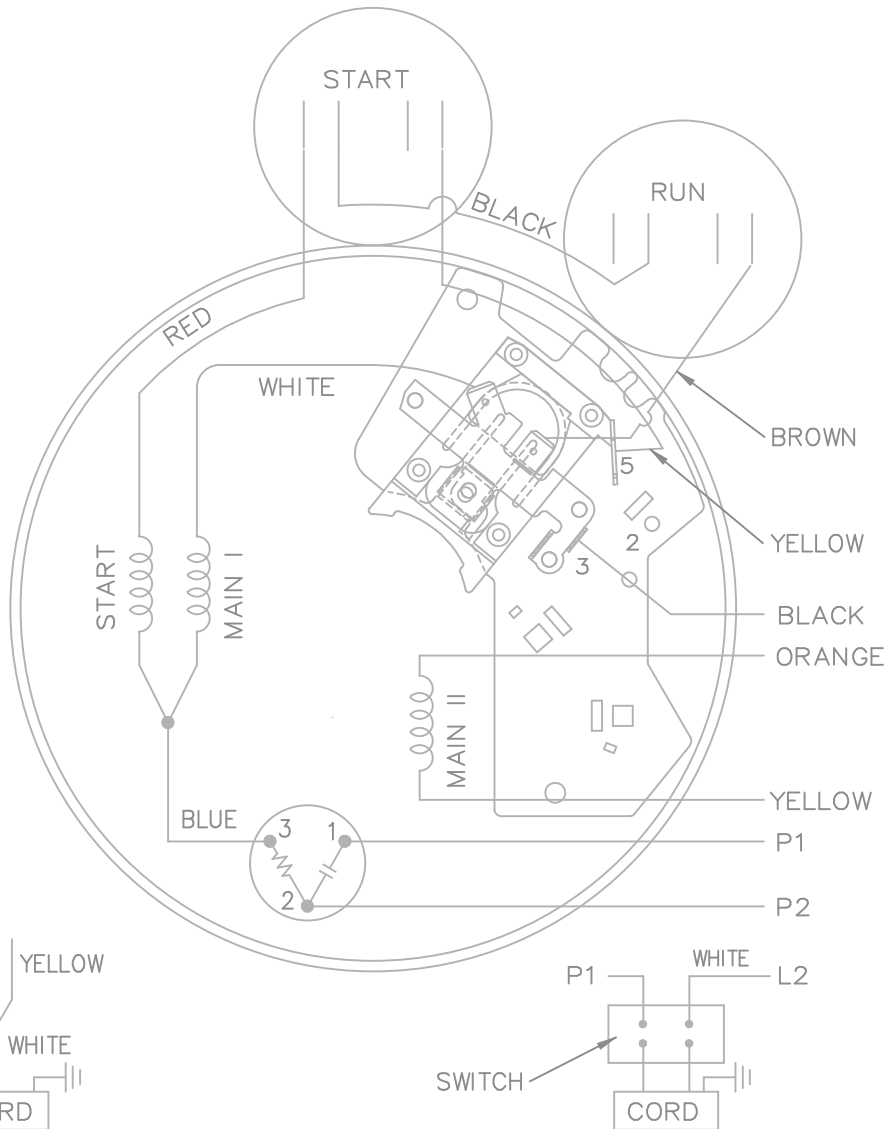
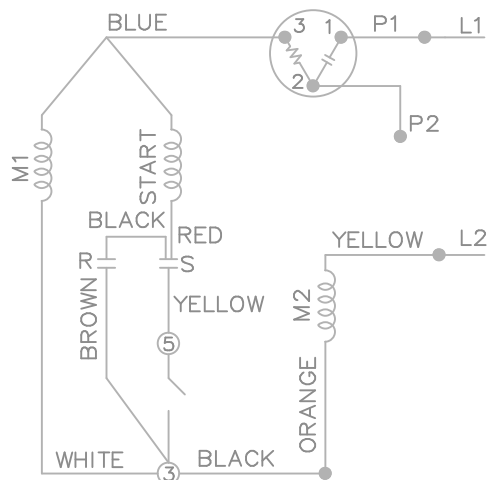
TITLE OUTLINE
56 FR. - C'FACE - EXP. PR.

SCALE 1=2
REF
FMF
PREV

LOW VOLTAGE - C.W.

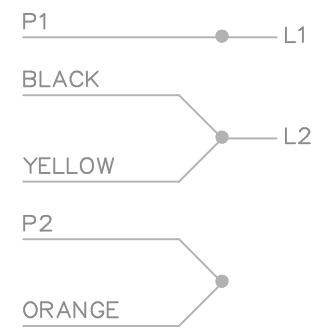


HIGH VOLTAGE - C.W.

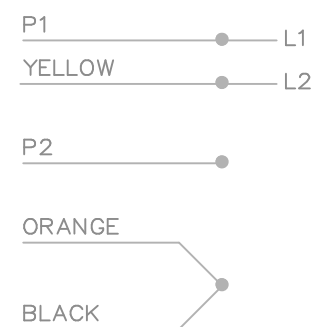


DUAL VOLTAGE
CAPACITOR START
OVERLOAD-C.W. FIXED

LOW VOLTAGE C.W. ROTATION



HIGH VOLTAGE C.W. ROTATION



				TOLERANCES UNLESS SPECIFIED		ELECTRIC MOTORS GEARMOTORS AND DRIVES TITLE CONNECTION DIAGRAM MAT'L. FINISH	DRAWN VL 11-23-2007 CHK APPD VL 11-23-2007 SCALE 1=1 REF FMF MU82898 PREV
				DEC.	INCHES		
				.X	±.1		
				.XX	±.02		
				.XXX	±.005		
				.XXXX	±.0005		
NO.	REVISION	BY & DATE	CHK	ANG	±7'30"		
THIS DRAWING IN DESIGN AND DETAIL IS OUR PROPERTY AND MUST NOT BE USED EXCEPT IN CONNECTION WITH OUR WORK ALL RIGHTS OF DESIGN AND INVENTION ARE RESERVED THIS IS AN ELECTRONICALLY GENERATED DOCUMENT - DO NOT SCALE THIS PRINT				RFP	11-23-2007	CAD FILE	102006_66_LE
				DIST	WP	SIZE	A
						DRAWING NO.	102006_66_LE
						PAGE	OF
						REV.	

