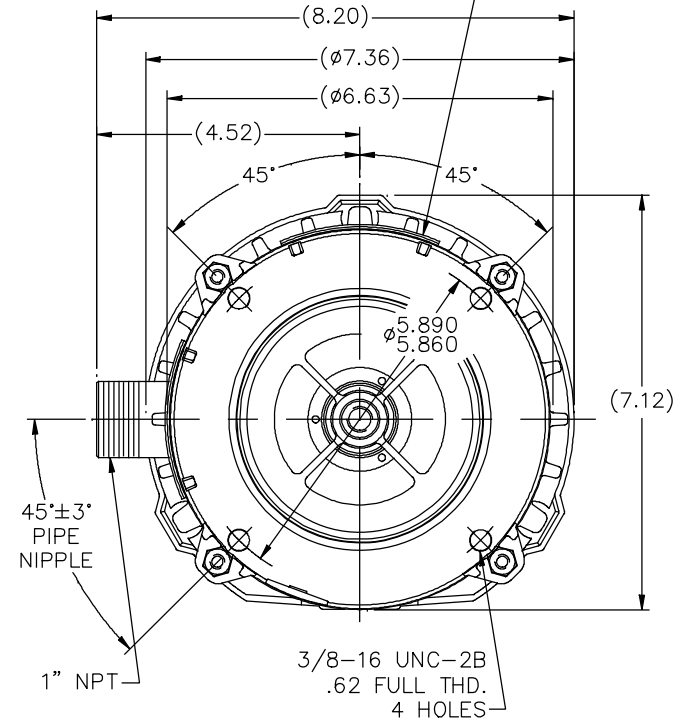
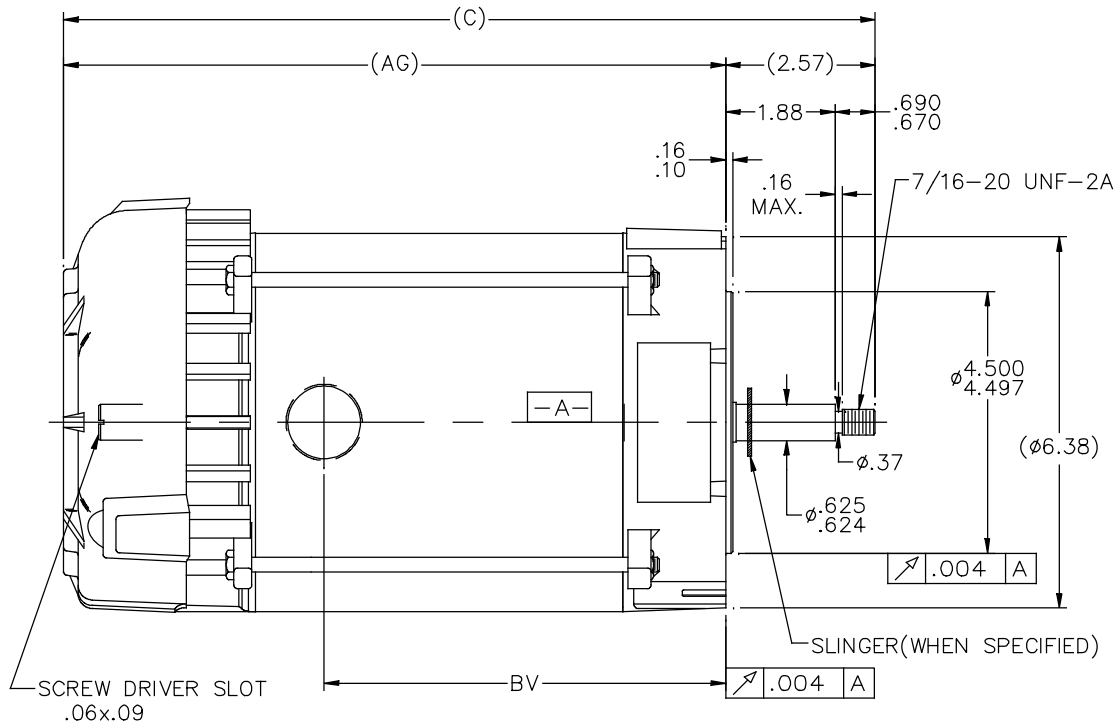


104213LE

NAMEPLATES TO BE READ FROM SHAFT EXT. END



DASH	C	AG	BV
631	13.95	11.38	6.90
681	14.45	11.88	7.40
731	14.95	12.38	7.90
831	15.95	13.38	8.90
881	16.45	13.88	9.40
931	16.95	14.38	9.90
981	17.45	14.88	10.40

				TOLERANCES UNLESS SPECIFIED		LEESON ELECTRIC MOTORS GEARMOTORS AND DRIVES		DRAWN R/JW 06-22-2007			
				DEC.	INCHES			CHK ML 06-22-2007			
				X	±.1	TITLE OUTLINE 56 FR. - C'FACE - EXP. PR.		APPD GK 06-22-2007			
				.XX	±.03			SCALE 1=2			
				.XXX	±.005			REF			
A	ADDED NOTE TO SLINGER			MVG 01/24/18	SM	.XXX ±.0005	MAT'L	F/M			
REVISION				BY & DATE	CHK	ANG ±7'30"	FINISH	PREV			
THIS DRAWING IN DESIGN AND DETAIL IS OUR PROPERTY AND MUST NOT BE USED EXCEPT IN CONNECTION WITH OUR WORK. ALL RIGHTS OF DESIGN AND INVENTION ARE RESERVED. THIS IS AN ELECTRONICALLY GENERATED DOCUMENT - DO NOT SCALE THIS PRINT.				RFP 06-22-2007	CAD FILE 104213LE			SIZE B	DRAWING NO. 104213LE	PAGE OF	REV. A
				DIST WP							