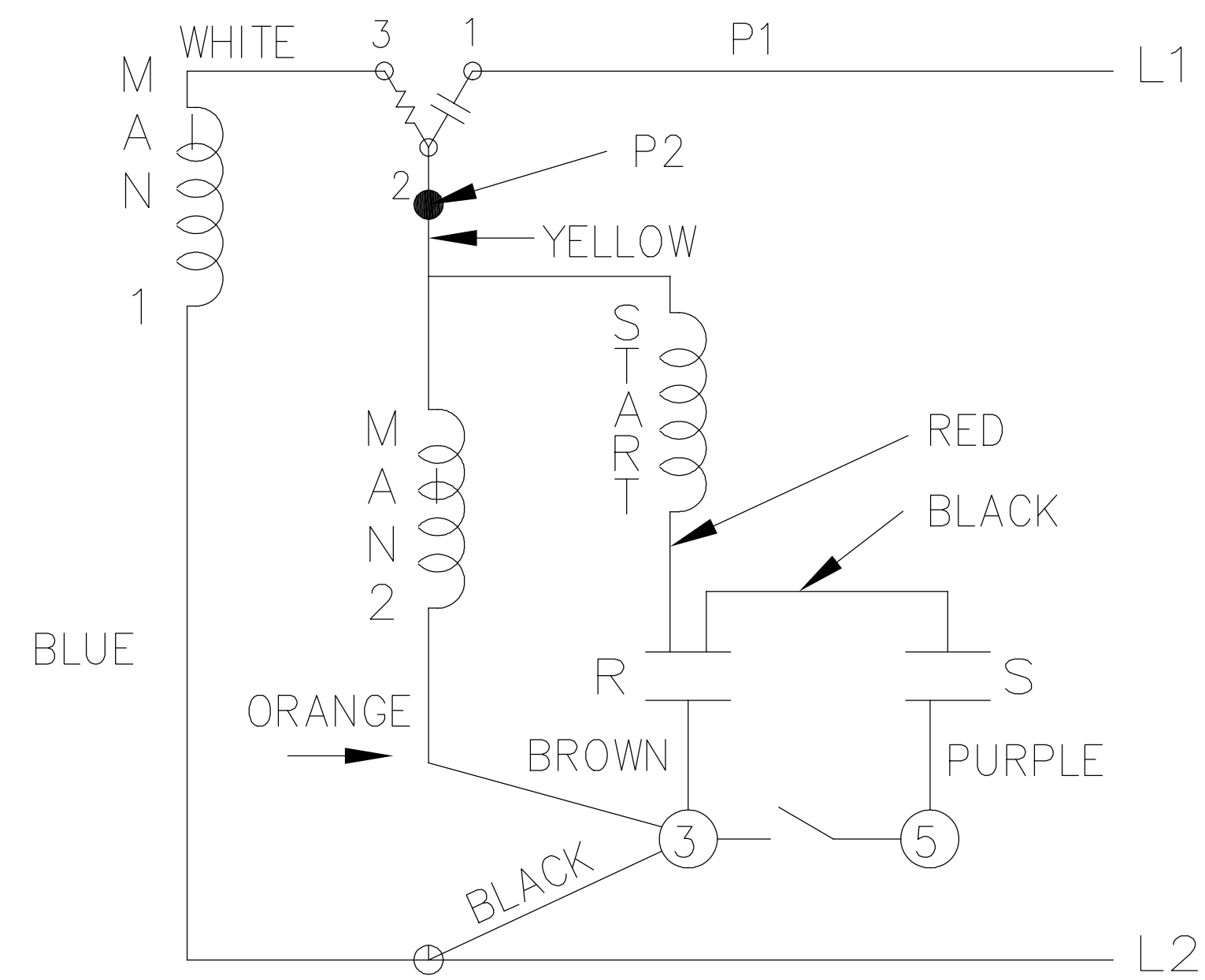
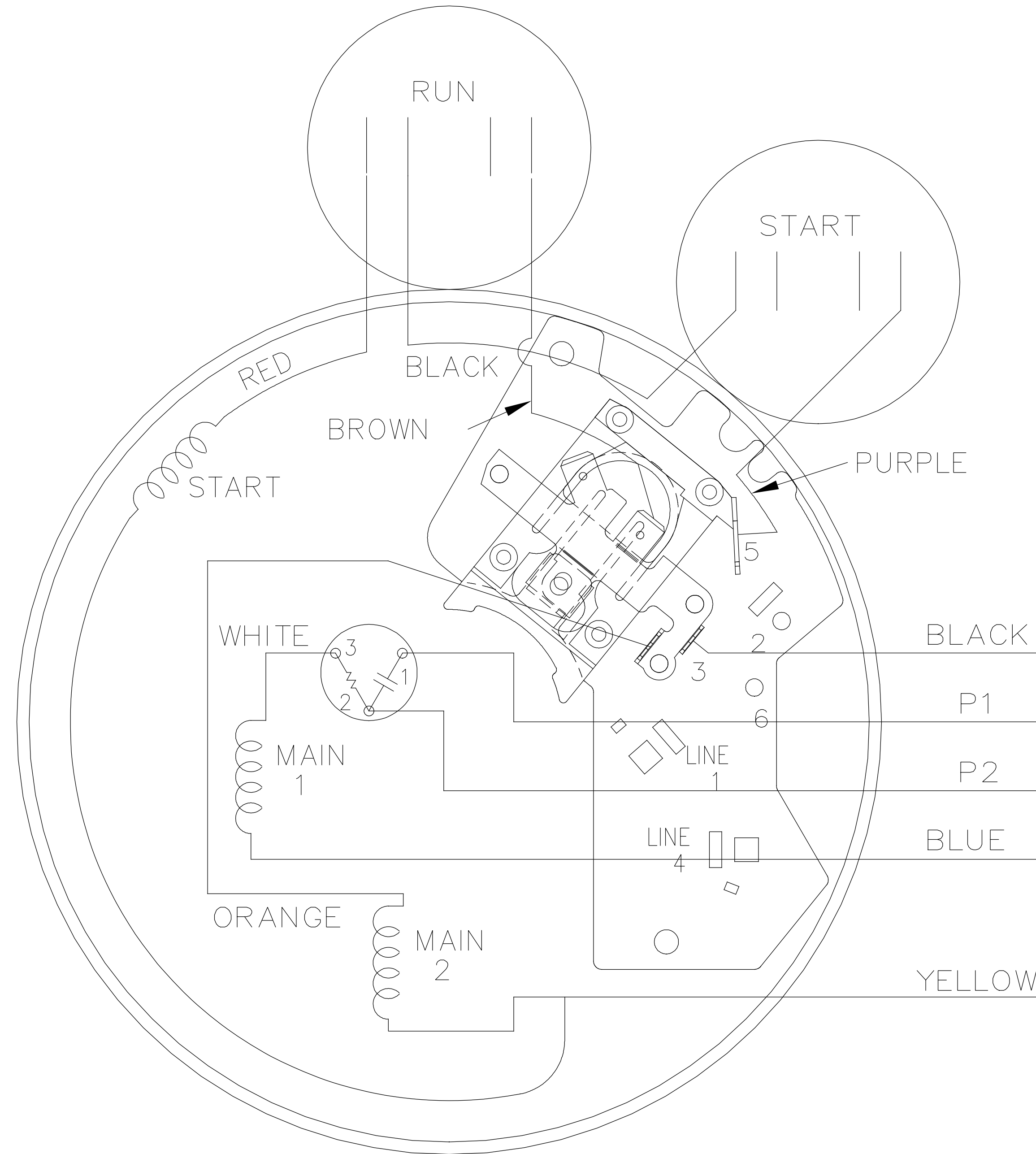
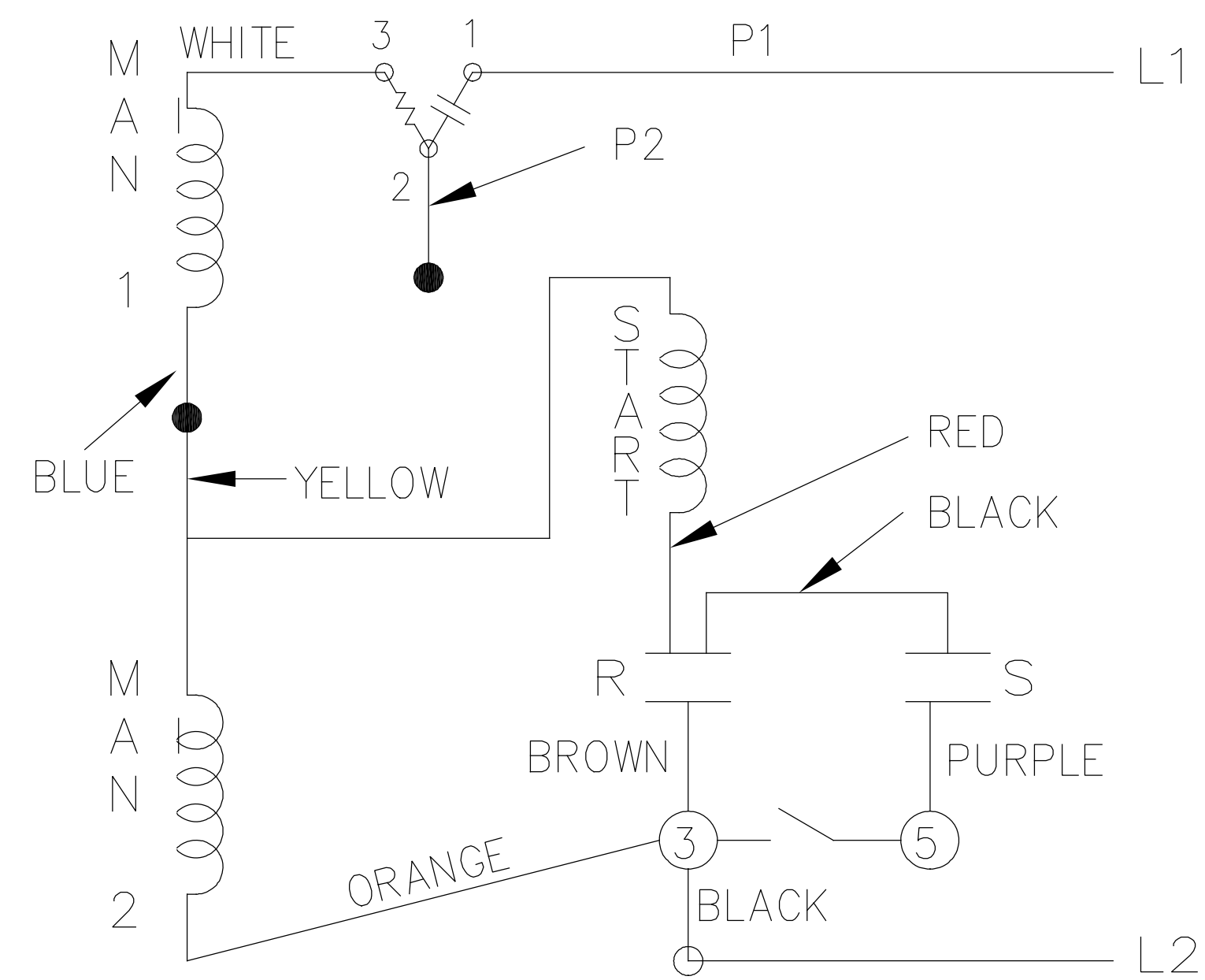


102006\_130\_LE

LOW VOLTAGE F.C.W.



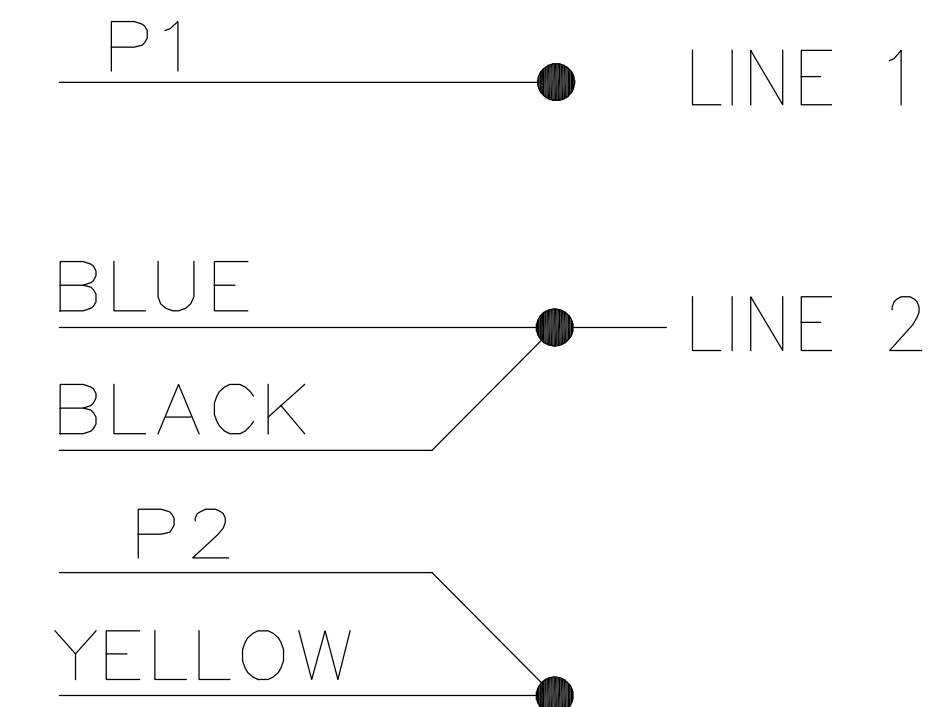
HIGH VOLTAGE F.C.W.



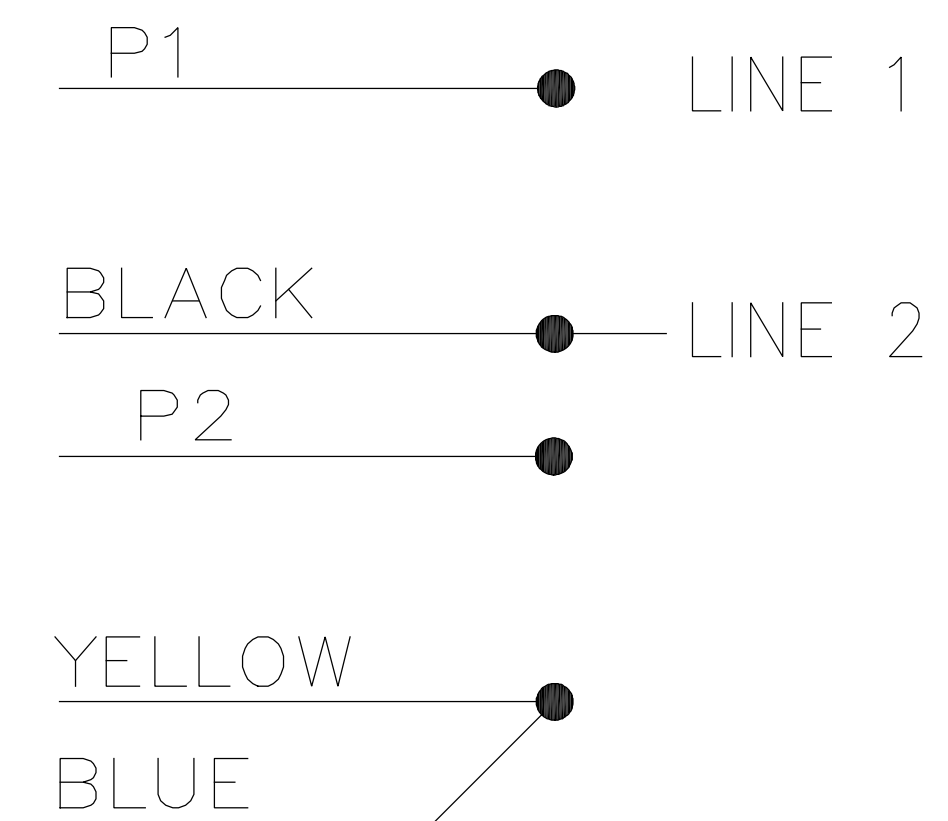
LS2T

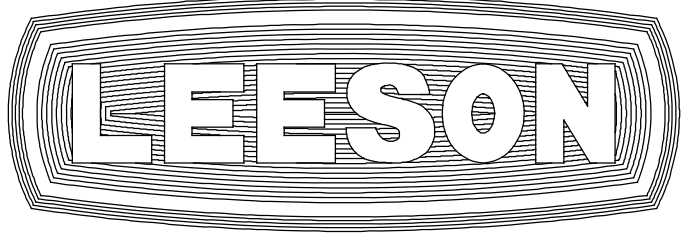
DUAL VOLTAGE  
CAP. START-CAP. RUN  
OVERLOAD FIXED CW  
ROTATION.

LOW VOLT. CW ROT.



HIGH VOLT. CW ROT.



				TOLERANCES UNLESS SPECIFIED		 ELECTRIC MOTORS GEARMOTORS AND DRIVES	DRAWN VL 04-08-2008
				DEC.	INCHES		CHK
				.X	±.1	TITLE CONNECTION DIAGRAM 56/140 FR - 1 PH - CSCR - REV - PRT - 2V	APPD VL 04-08-2008
				.XX	±.02		SCALE 5=8
				.XXX	±.005	MAT'L. FINISH	REF
01	LEFT CORNER LOW VOLT CW ROT WAS CCW ECR-0119583	KK	10/13/16	KK	.XXXX		±.0005
NO.	REVISION	BY & DATE	CHK	ANG	±7'30"		PREV
THIS DRAWING IN DESIGN AND DETAIL IS OUR PROPERTY AND MUST NOT BE USED EXCEPT IN CONNECTION WITH OUR WORK ALL RIGHTS OF DESIGN AND INVENTION ARE RESERVED THIS IS AN ELECTRONICALLY GENERATED DOCUMENT - DO NOT SCALE THIS PRINT				RFP	04-08-2008	CAD FILE 102006_130_LE	SIZE A DRAWING NO. 102006_130_LE PAGE OF REV. 01