

# PRODUCT INFORMATION PACKET



Model No: A6C34XC35C

Catalog No: 116181.00

2HP..3450RPM.56.EPFC./V.1PH.60HZ.CONT.AUTOMATIC.40C.1.0SF.ROUND.EXPLOSION-  
PROOF.A6C34XC35C.A

Explosion Proof



Regal and Leeson are trademarks of Regal Beloit Corporation or one of its affiliated companies.

©2018 Regal Beloit Corporation, All Rights Reserved. MC017097E





**Nameplate Specifications**

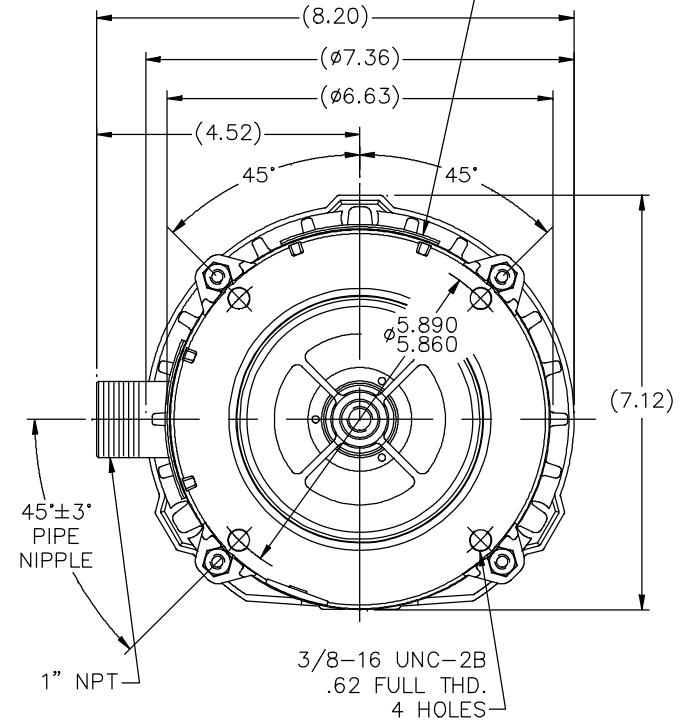
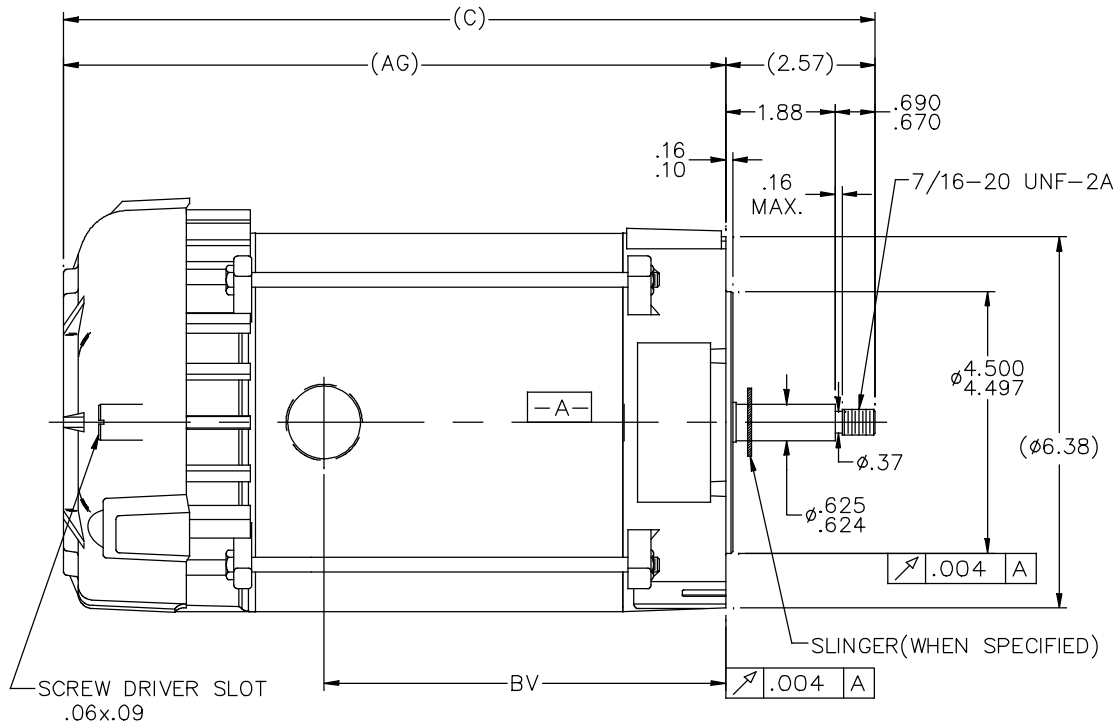
Output HP	<b>2 Hp</b>	Output KW	<b>1.5 kW</b>
Frequency	<b>60 Hz</b>	Voltage	<b>115/208-230 V</b>
Current	<b>20.0/10.8-10.0 A</b>	Speed	<b>3450 rpm</b>
Service Factor	<b>1</b>	Phase	<b>1</b>
Efficiency	<b>75.5 %</b>	Duty	<b>Continuous</b>
Insulation Class	<b>B</b>	Design Code	<b>L</b>
KVA Code	<b>J</b>	Frame	<b>56J</b>
Enclosure	<b>Explosion Proof Fan cooled</b>	Overload Protector	<b>Automatic</b>
Ambient Temperature	<b>40 °C</b>	Drive End Bearing Size	<b>6203</b>
Opp Drive End Bearing Size	<b>6203</b>	UL	<b>Recognized</b>
CSA	<b>Y</b>	CE	<b>N</b>
IP Code	<b>54</b>		

**Technical Specifications**

Electrical Type	<b>Capacitor Start Induction Run</b>	Starting Method	<b>Across The Line</b>
Poles	<b>2</b>	Rotation	<b>Fixed Clockwise</b>
Mounting	<b>Round</b>	Motor Orientation	<b>HORIZONTAL</b>
Drive End Bearing	<b>BALL</b>	Opp Drive End Bearing	<b>BALL</b>
Frame Material	<b>Rolled Steel</b>	Shaft Type	<b>J</b>
Overall Length	<b>15.45 in</b>	Frame Length	<b>7.81 in</b>
Shaft Diameter	<b>0.625 in</b>	Shaft Extension	<b>2.44 in</b>
Assembly/Box Mounting	<b>F1 ONLY</b>		
Outline Drawing	<b>B-104213LE-781</b>	Connection Diagram	<b>A-102006-130-LE</b>

104213LE

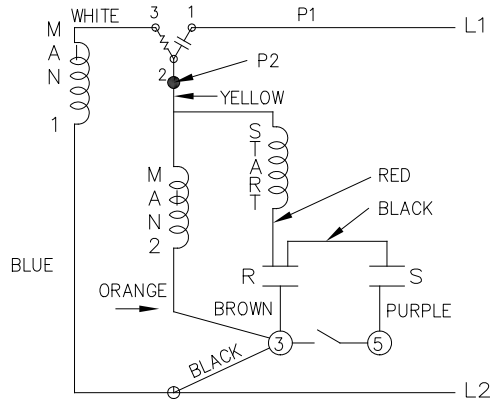
NAMEPLATES TO BE READ FROM SHAFT EXT. END



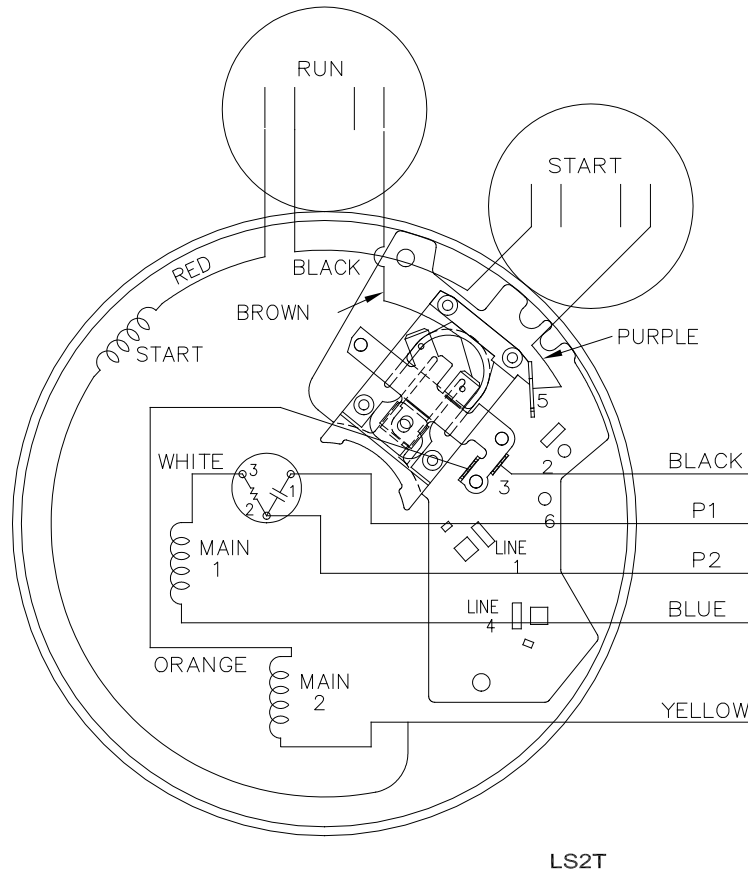
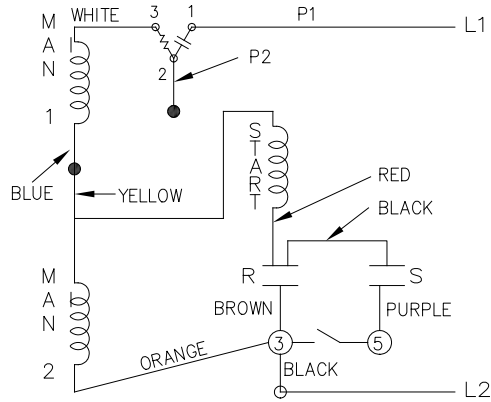
DASH	C	AG	BV
631	13.95	11.38	6.90
681	14.45	11.88	7.40
731	14.95	12.88	8.40
831	15.95	13.38	8.90
881	16.45	13.88	9.40
931	16.95	14.38	9.90
981	17.45	14.88	10.40

REVISION		BY & DATE	SM	CHK	ANG	FINISH	TITLE OUTLINE		SCALE	
A ADDED NOTE TO SLINGER		MVG 01/24/18	SM	.XXX	±.005	MAT'L	56 FR. - C'FACE - EXP. PR.		1=2	
THIS DRAWING IN DESIGN AND DETAIL IS OUR PROPERTY AND MUST NOT BE USED EXCEPT IN CONNECTION WITH OUR WORK. ALL RIGHTS OF DESIGN AND INVENTION ARE RESERVED. THIS IS AN ELECTRONICALLY GENERATED DOCUMENT - DO NOT SCALE THIS PRINT		RFP 06-22-2007	CHK	ANG	±7'30"	FINISH	CAD FILE 104213LE		PREV	
TOLERANCES UNLESS SPECIFIED							LEESON ELECTRIC MOTORS GEARMOTORS AND DRIVES		DRAWN R/JW 06-22-2007	
DEC. INCHES							1" NPT		CHK ML 06-22-2007	
.X ±.1							45°±3° PIPE NIPPLE		APPD GK 06-22-2007	
.XX ±.03							3/8-16 UNC-2B .62 FULL THD. 4 HOLES		SCALE 1=2	
.XXX ±.005							45°		REF	
A							45°		FMF	
NO.							1" NPT		PREV	
RFP 06-22-2007							1" NPT		DRAWING NO. PAGE OF	
DIST WP							1" NPT		B 104213LE A	

LOW VOLTAGE F.C.W.



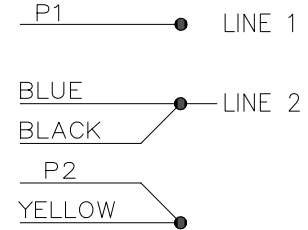
HIGH VOLTAGE F.C.W.



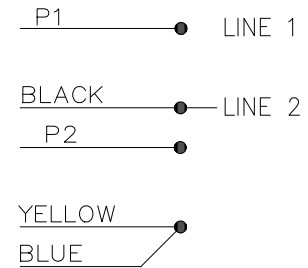
102006\_130\_LE

DUAL VOLTAGE  
CAP. START-CAP. RUN  
OVERLOAD FIXED CW  
ROTATION.

LOW VOLT. CW ROT.



HIGH VOLT. CW ROT.



				TOLERANCES UNLESS SPECIFIED			ELECTRIC MOTORS GEARMOTORS AND DRIVES	DRAWN VL 04-08-2008		
				DEC.	INCHES			CHK		
				X	±.1	TITLE CONNECTION DIAGRAM 56/140 FR - 1 PH - CSCR - REV - PRT - 2V		APPD VL 04-08-2008		
				.XX	±.02			SCALE	5=8	
				.XXX	±.005			REF		
01	LEFT CORNER LOW VOLT CW ROT WAS CCW ECR-0119583	KK	10/13/16	KK	.XXXX ±.0005	MAT'L.		FMF		
NO.	REVISION	BY & DATE		CHK	ANG ±7'30"	FINISH		PREV		
THIS DRAWING IN DESIGN AND DETAIL IS OUR PROPERTY AND MUST NOT BE USED EXCEPT IN CONNECTION WITH OUR WORK ALL RIGHTS OF DESIGN AND INVENTION ARE RESERVED THIS IS AN ELECTRONICALLY GENERATED DOCUMENT - DO NOT SCALE THIS PRINT				RFP	04-08-2008	CAD FILE 102006_130_LE		SIZE	DRAWING NO. PAGE OF	REV.
				DIST	WP			A	102006_130_LE	01

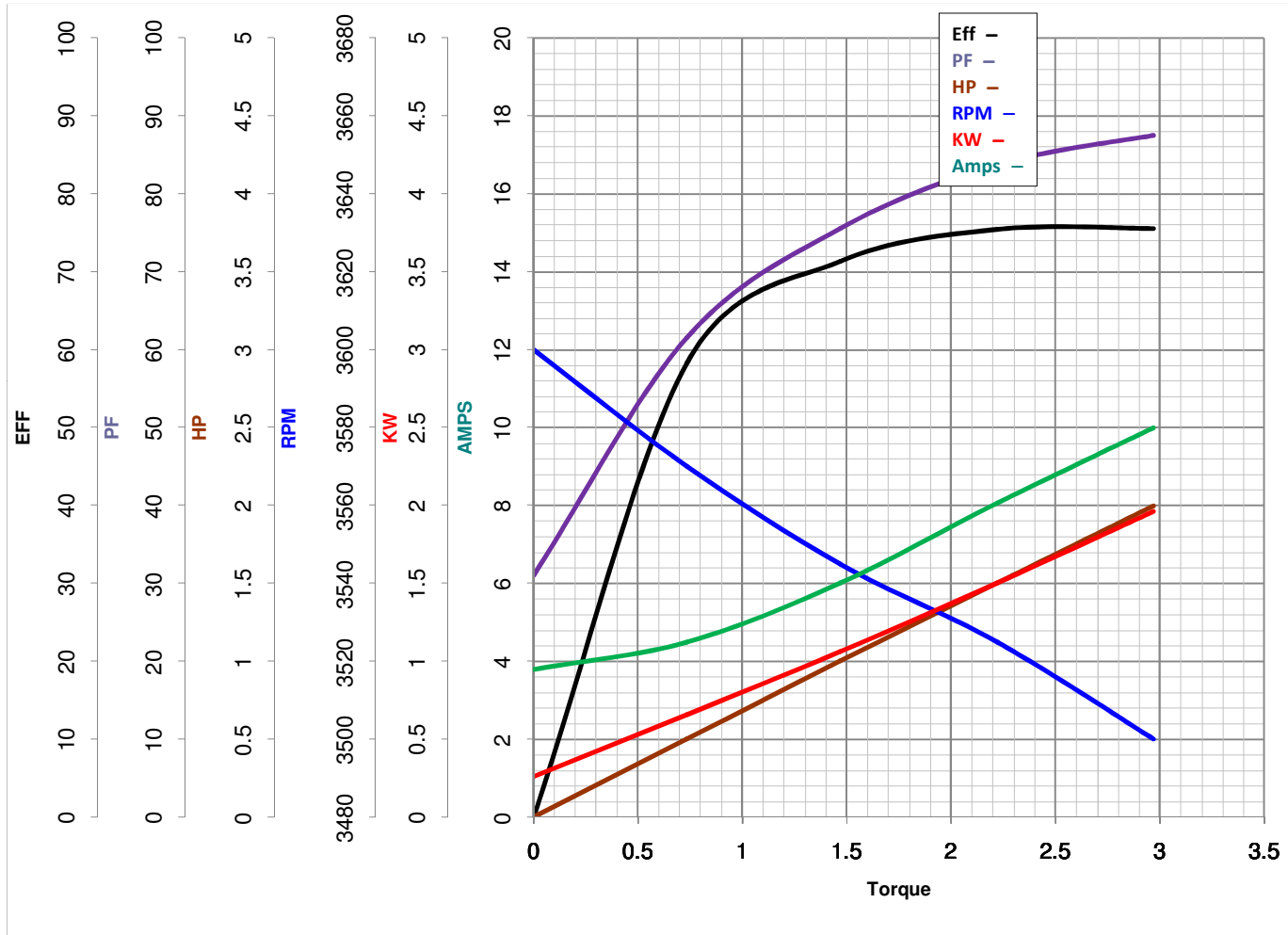


LEESON ELECTRIC CORPORATION  
TYPICAL PERFORMANCE CURVE for AC MOTOR

Model No 116181.00

Catalog No 116181.00

Curve at 230 Volts      HP 2.00      PHASE 1  
60 HZ  
2 HP      VOLTS 115/208-230  
HZ 60      RPM 3450



Torque in Lb.Ft

FL TORQUE 2.97 Lb.Ft  
BD TORQUE 7.7 Lb.Ft  
LR TORQUE 7.3 Lb.Ft

FL AMPS 20/10.8-10  
PU TORQUE 5.2 Lb.Ft  
LR AMPS 63.5

WINDING ZB298-3

Date 3/23/2018