

# PRODUCT INFORMATION PACKET



Model No: A6C34XK3B

Catalog No: 116615.00

..1 1/2HP..3450RPM.56.EPFC.115/208-230V.1PH.60HZ.CONT.40C.1SF.RIGID.A6C34XK3B.....EXPLOSION  
PROOF.AUTOMATIC.....

Explosion Proof



Regal and Leeson are trademarks of Regal Beloit Corporation or one of its affiliated companies.

©2018 Regal Beloit Corporation, All Rights Reserved. MC017097E



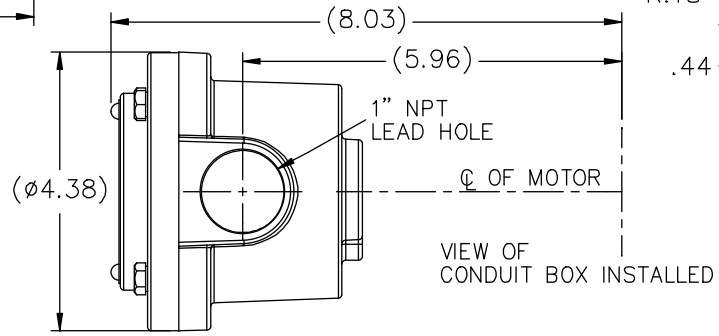
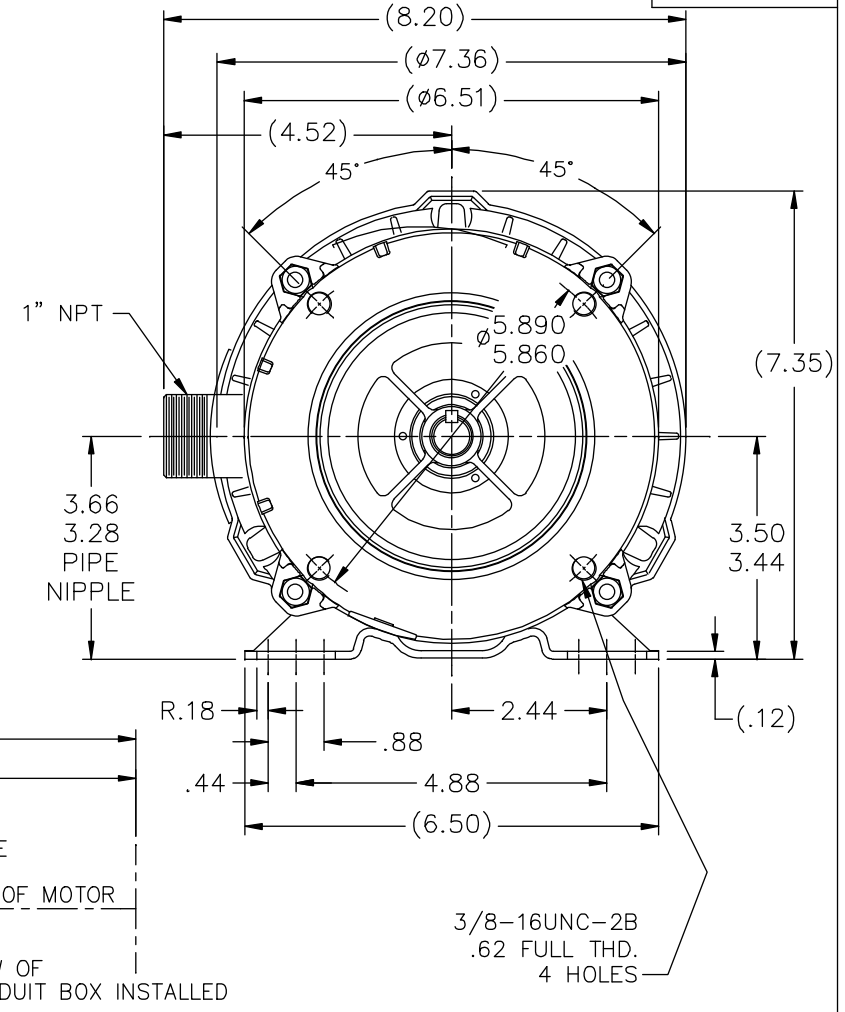
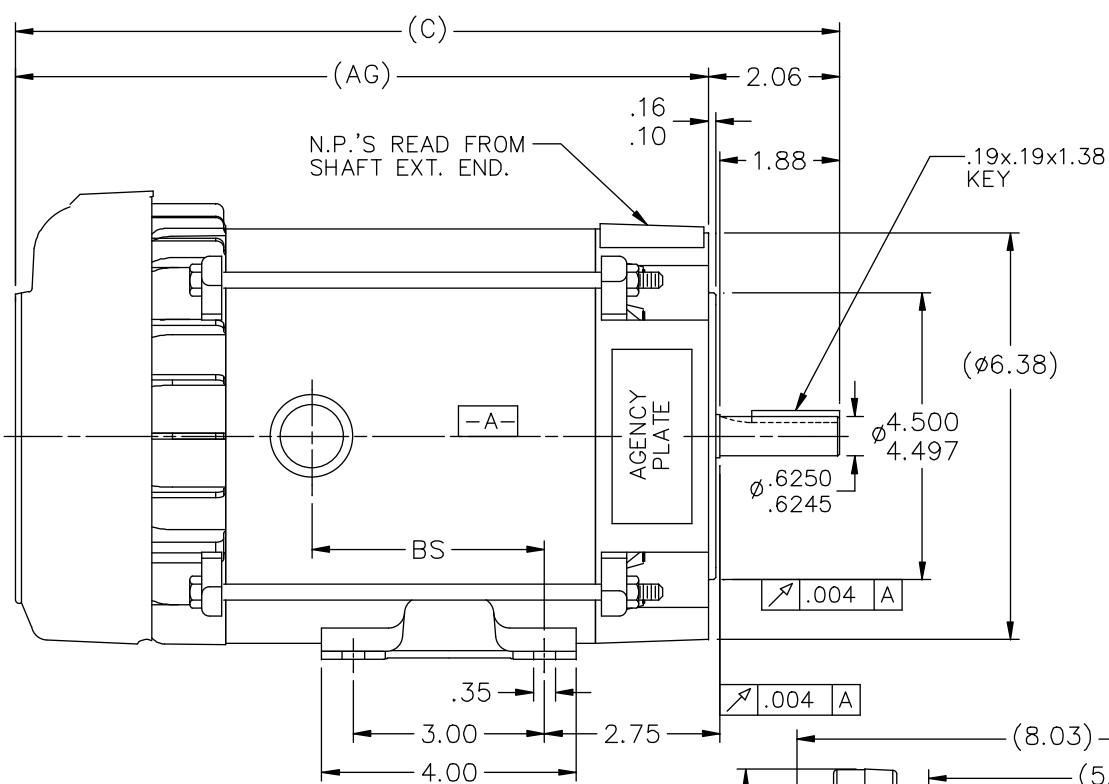


**Nameplate Specifications**

Output HP	<b>1.50 Hp</b>	Output KW	<b>1.1 kW</b>
Frequency	<b>60 Hz</b>	Voltage	<b>115/208-230 V</b>
Current	<b>15.4/8.4-7.7 A</b>	Speed	<b>3450 rpm</b>
Service Factor	<b>1</b>	Phase	<b>1</b>
Efficiency	<b>77 %</b>	Duty	<b>Continuous</b>
Insulation Class	<b>B</b>	Design Code	<b>L</b>
KVA Code	<b>H</b>	Frame	<b>56C</b>
Enclosure	<b>Explosion Proof Fan cooled</b>	Overload Protector	<b>Automatic</b>
Ambient Temperature	<b>40 °C</b>	Drive End Bearing Size	<b>6203</b>
Opp Drive End Bearing Size	<b>6203</b>	UL	<b>Recognized</b>
CSA	<b>Y</b>	CE	<b>N</b>
IP Code	<b>54</b>		

**Technical Specifications**

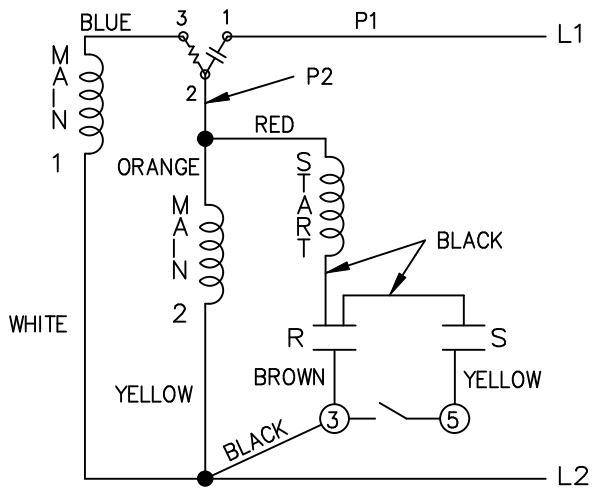
Electrical Type	<b>Capacitor Start Capacitor Run</b>	Starting Method	<b>Across The Line</b>
Poles	<b>2</b>	Rotation	<b>Selective Counterclockwise</b>
Mounting	<b>Rigid base</b>	Motor Orientation	<b>HORIZONTAL</b>
Drive End Bearing	<b>BALL</b>	Opp Drive End Bearing	<b>BALL</b>
Frame Material	<b>Rolled Steel</b>	Shaft Type	<b>NEMA 56</b>
Overall Length	<b>14.44 in</b>	Frame Length	<b>7.31 in</b>
Shaft Diameter	<b>0.625 in</b>	Shaft Extension	<b>1.88 in</b>
Assembly/Box Mounting	<b>F1 ONLY</b>		
Outline Drawing	<b>B-104191LE-731</b>	Connection Diagram	<b>A-102006-95-LE</b>



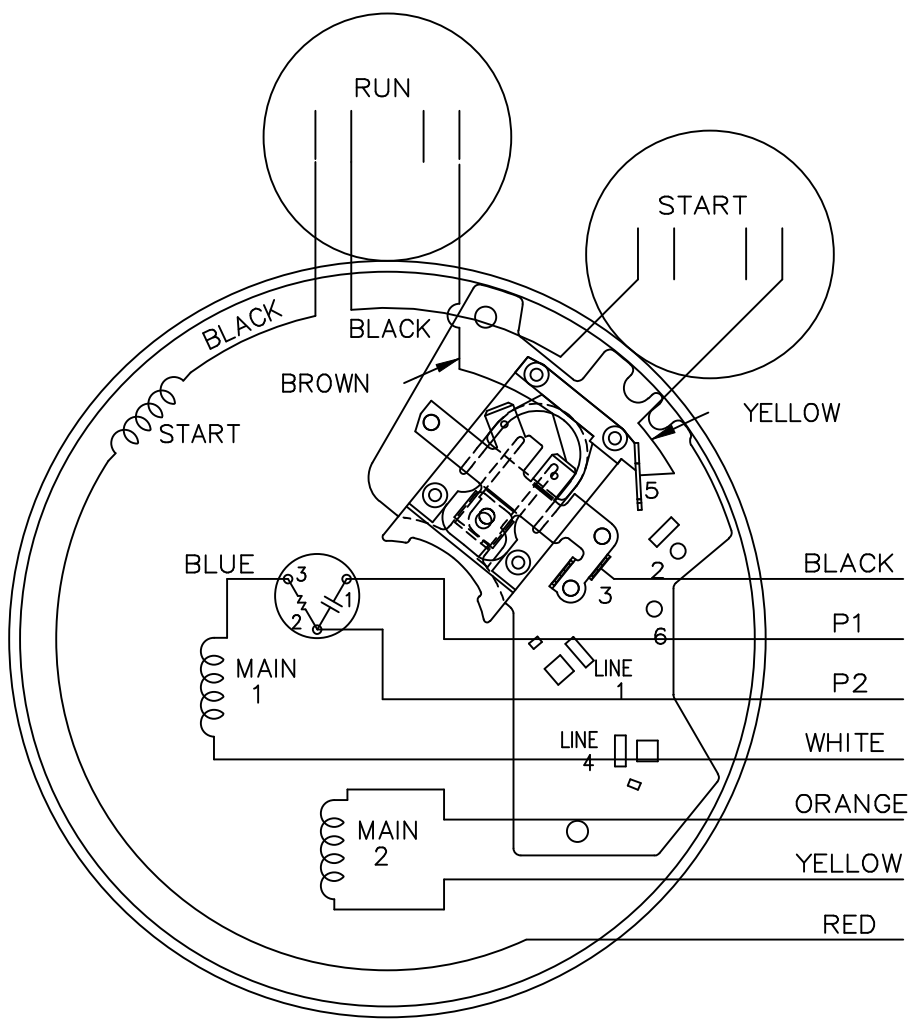
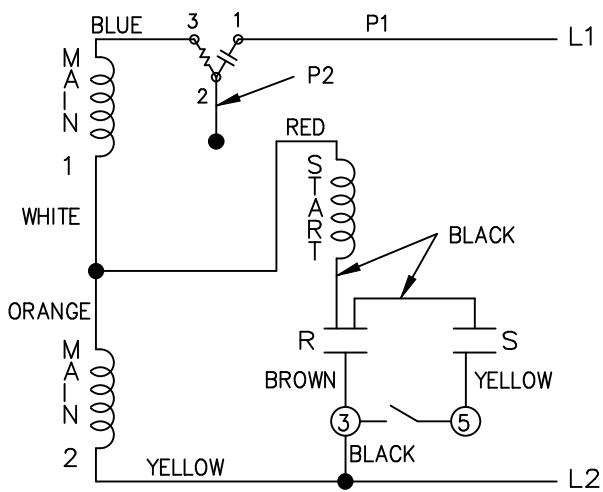
DASH	(C)	(AG)	BS		
631	13.44	11.38	4.15		
681	13.94	11.88	4.65		
731	14.44	12.38	5.15		
781	14.94	12.88	5.65		
831	15.44	13.38	6.15		
881	15.94	13.88	6.65		
931	16.44	14.38	7.15		
981	16.94	14.88	7.65		

		TOLERANCES UNLESS SPECIFIED		LEESON		ELECTRIC MOTORS GEARMOTORS AND DRIVES		DRAWN HLB 05-29-2002		
		DEC.	INCHES					CHK	ML 05-31-2002	
		.X	±.1			TITLE OUTLINE - 'C' FACE		APPD	SAS 05-31-2002	
3	COND. BOX INSTALLED VIEW UPDATED PER ECR-0044571	UD	10/15/13	ST	.XX	±.03	56 FR. - EXP. PR.	SCALE	1=2	
2	REVISED C'BOX PER CN 40784A	JJB	02/26/2007	ML	.XXX	±.005		REF		
1	NEW DRAWING	HLB	05-31-2002		.XXXX	±.0005	MAT'L.	FMF		
NO.	REVISION	BY & DATE	CHK	ANG	FINISH		PREV			
THIS DRAWING IN DESIGN AND DETAIL IS OUR PROPERTY AND MUST NOT BE USED EXCEPT IN CONNECTION WITH OUR WORK ALL RIGHTS OF DESIGN AND INVENTION ARE RESERVED THIS IS AN ELECTRONICALLY GENERATED DOCUMENT - DO NOT SCALE THIS PRINT				RFP	CAD FILE 104191LE		SIZE	DRAWING NO.	PAGE OF	REV.
				DIST	WP		B	104191LE	3	3

LOW VOLTAGE C.C.W.

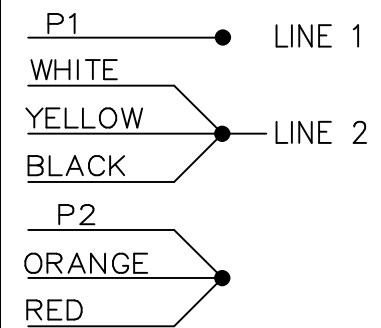


HIGH VOLTAGE C.C.W.

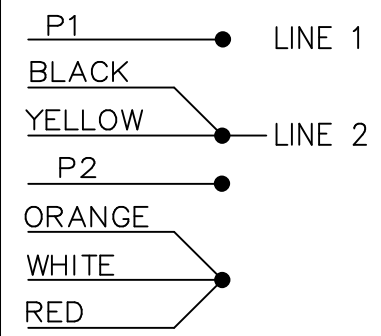


DUAL VOLTAGE  
CAP. START-CAP. RUN  
OVERLOAD SELECT  
ROTATION.

LOW VOLT. CCW ROT.



HIGH VOLT. CCW ROT.



FOR CW ROT. EITHER  
VOLTAGE INTERCHANGE  
RED WITH BLACK LEAD.

				TOLERANCES UNLESS SPECIFIED		ELECTRIC MOTORS GEARMOTORS AND DRIVES	DRAWN VL 11/13/2007
				DEC.	INCHES		CHK
				.X	±.1		APPD VL 11/13/2007
				.XX	±.02		SCALE 5=8
				.XXX	±.005		REV
				.XXXX	±.0005	MAT'L.	FMF 116610.00
NO.	REVISION	BY & DATE	CHK	ANG	±7'30"	FINISH	PREV
THIS DRAWING IN DESIGN AND DETAIL IS OUR PROPERTY AND MUST NOT BE USED EXCEPT IN CONNECTION WITH OUR WORK ALL RIGHTS OF DESIGN AND INVENTION ARE RESERVED THIS IS AN ELECTRONICALLY GENERATED DOCUMENT - DO NOT SCALE THIS PRINT				RFP	CAD FILE 102006_95_le		SIZE A
				DIST WP			DRAWING NO. 102006-95-LE
							PAGE OF REV.



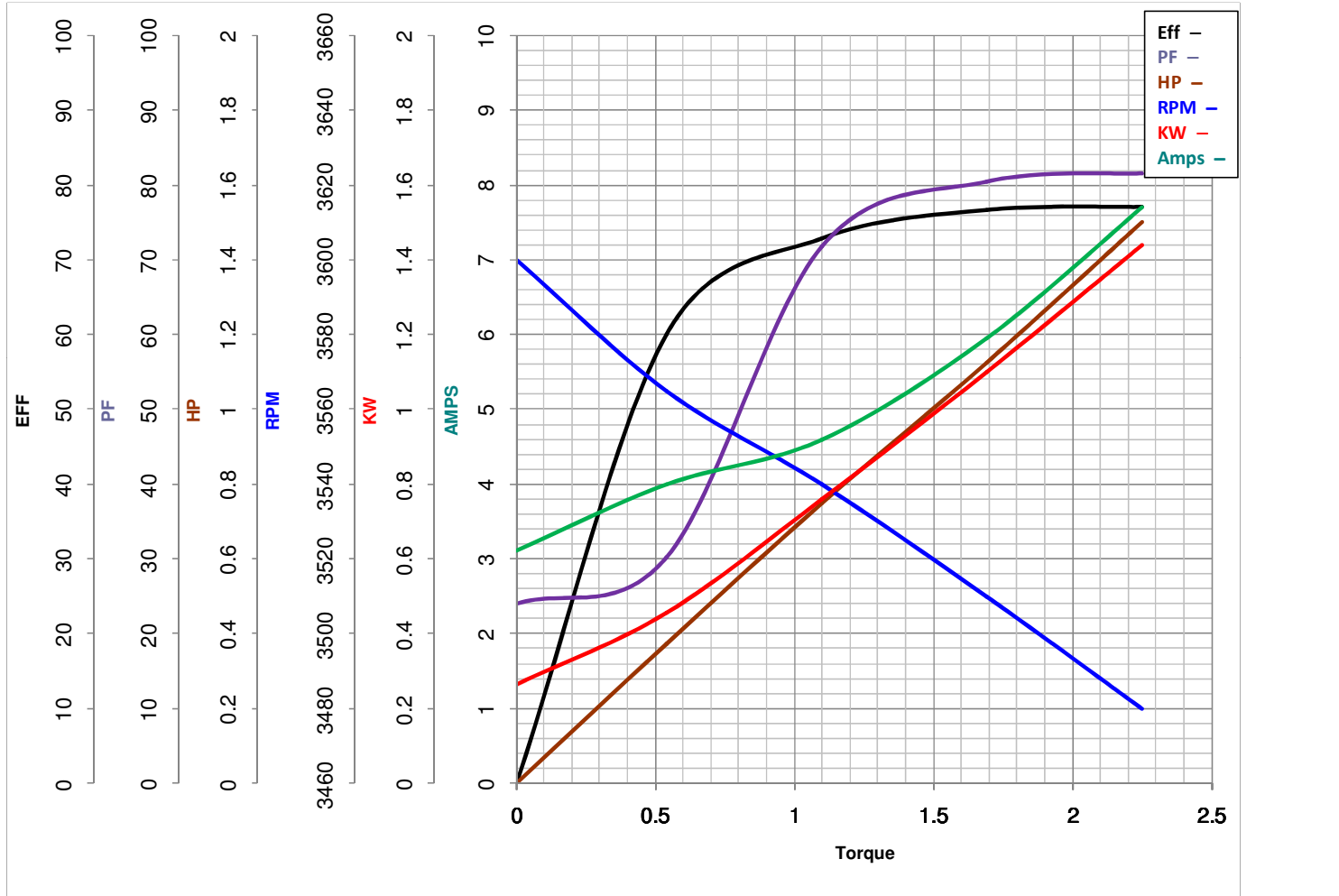
**LEESON ELECTRIC CORPORATION**  
 TYPICAL PERFORMANCE CURVE for AC MOTOR

Model No 116615.00

Catalog No 116615.00

Curve at 230 Volts      HP 1.50      PHASE 1  
60 HZ  
1.5 HP      VOLTS 115/208-230

HZ 60      RPM 3450



Torque in Lb.Ft

FL TORQUE	<u>2.25</u>	Lb.Ft	FL AMPS	<u>15.4/8.4-7.7</u>
BD TORQUE	<u>5.4</u>	Lb.Ft	PU TORQUE	<u>3.7</u> Lb.Ft
LR TORQUE	<u>4.4</u>	Lb.Ft	LR AMPS	<u>42.2</u>
WINDING	ZB256-3		Date	3/14/2018