

PRODUCT INFORMATION PACKET



Model No: A6C34XK7B

Catalog No: 116605.00

..1/3HP..3450RPM.56.EPFC.115/208-230.1PH.60HZ.CONT.40C.1.0SF.RIGID.A6C34XK7B.....EXPLOSION
PROOF.AUTOMATIC.....

Explosion Proof



Regal and Leeson are trademarks of Regal Beloit Corporation or one of its affiliated companies.

©2018 Regal Beloit Corporation, All Rights Reserved. MC017097E



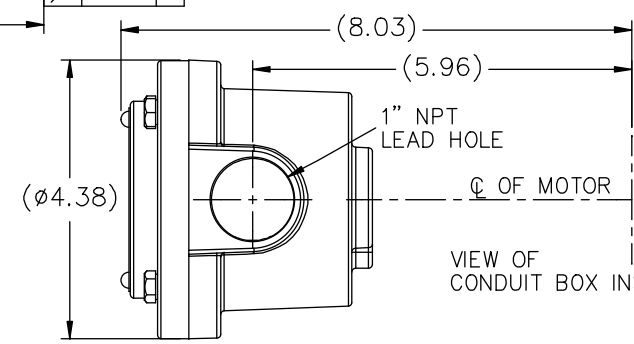
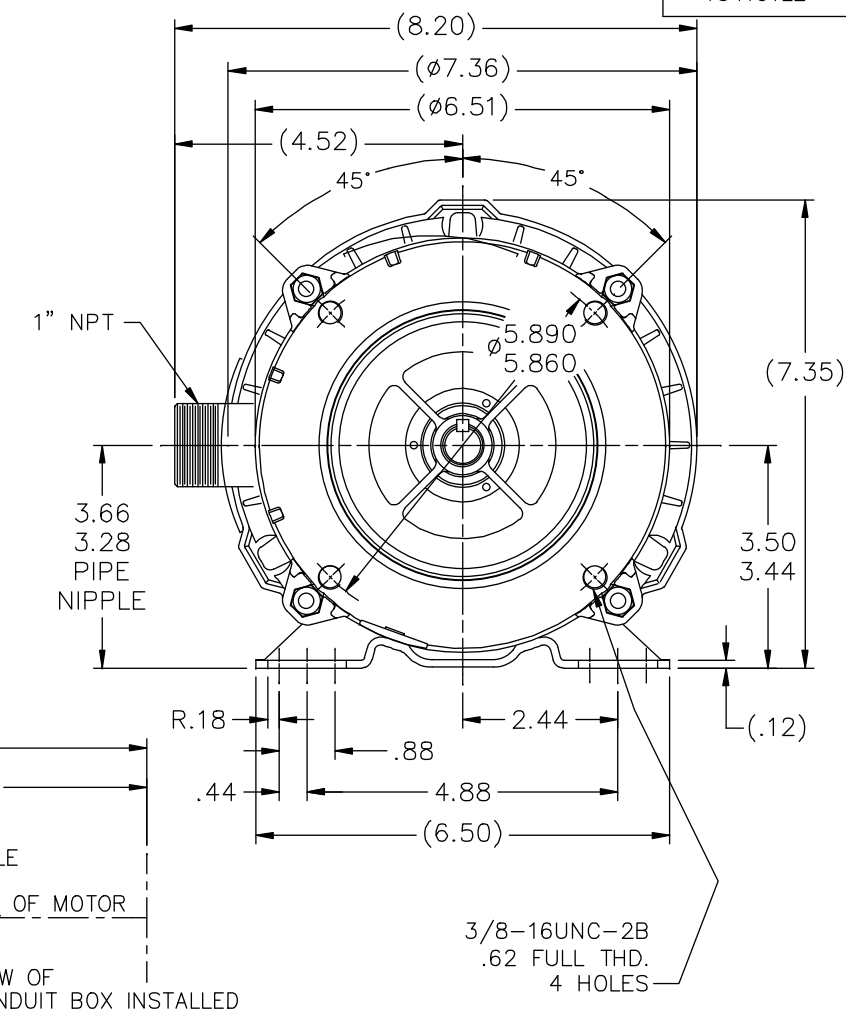
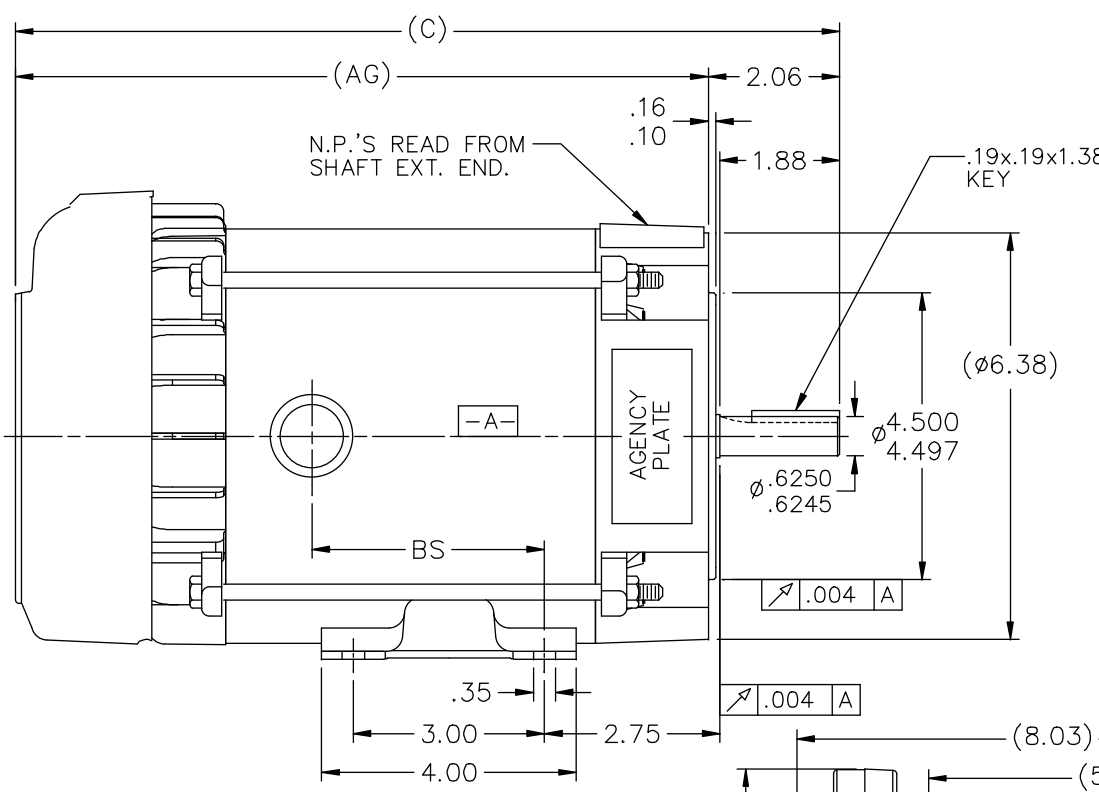


Nameplate Specifications

Output HP	0.33 Hp	Output KW	0.25 kW
Frequency	60 Hz	Voltage	115/208-230 V
Current	7.0/3.2-3.5 A	Speed	3450 rpm
Service Factor	1	Phase	1
Efficiency	50.5 %	Duty	Continuous
Insulation Class	B	Design Code	N
KVA Code	S	Frame	56C
Enclosure	Explosion Proof Fan cooled	Overload Protector	Automatic
Ambient Temperature	40 °C	Drive End Bearing Size	6203
Opp Drive End Bearing Size	6203	UL	Recognized
CSA	Y	CE	N
IP Code	54		

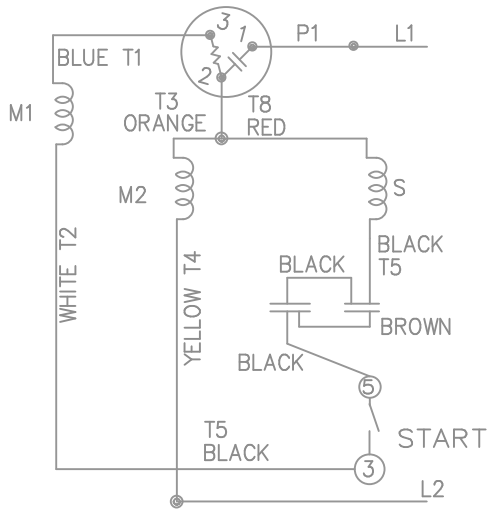
Technical Specifications

Electrical Type	Capacitor Start Induction Run	Starting Method	Across The Line
Poles	2	Rotation	Selective Counterclockwise
Mounting	Rigid base	Motor Orientation	HORIZONTAL
Drive End Bearing	BALL	Opp Drive End Bearing	BALL
Frame Material	Rolled Steel	Shaft Type	NEMA 56
Overall Length	13.44 in	Frame Length	6.31 in
Shaft Diameter	0.625 in	Shaft Extension	1.88 in
Assembly/Box Mounting	F1 ONLY		
Outline Drawing	B-104191LE-631	Connection Diagram	A-102005-109LE

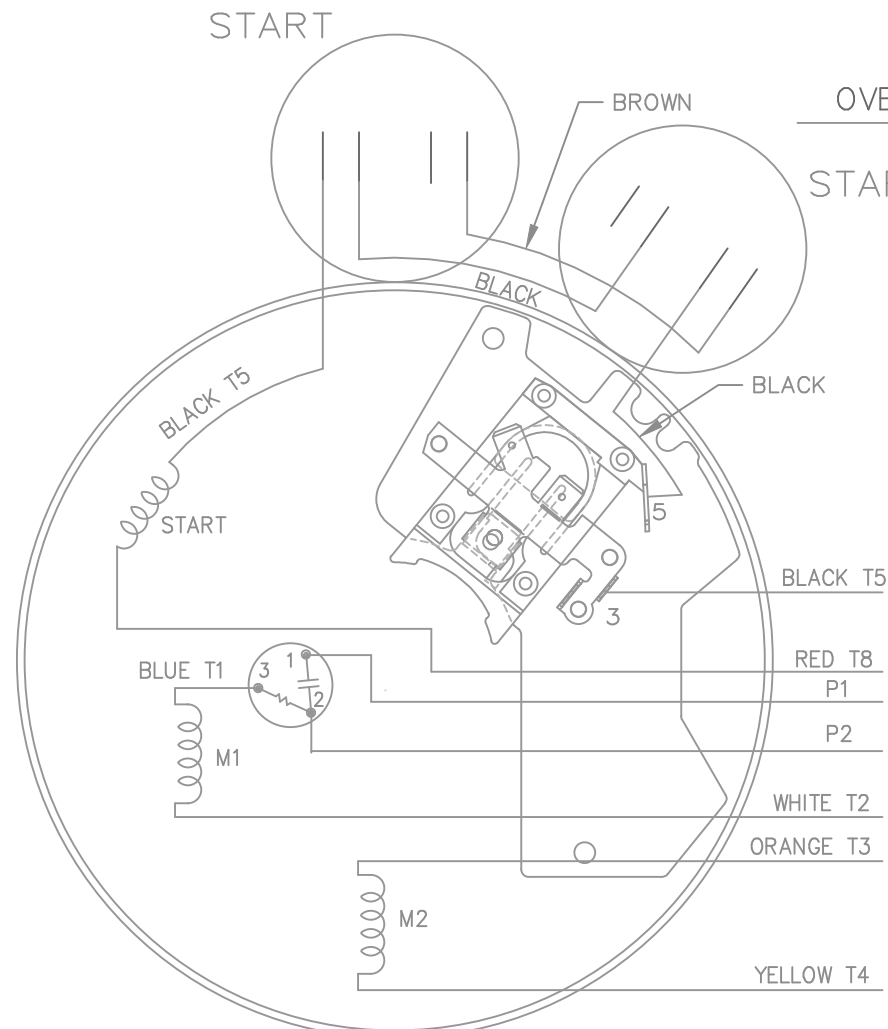
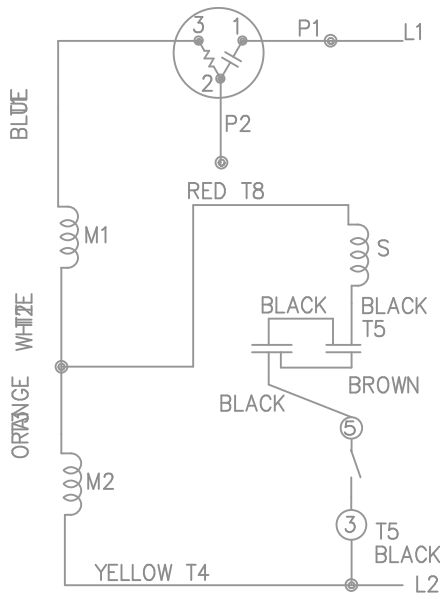


DASH	(C)	(AG)	BS		
631	13.44	11.38	4.15		
681	13.94	11.88	4.65		
731	14.44	12.38	5.15		
781	14.94	12.88	5.65		
831	15.44	13.38	6.15		
881	15.94	13.88	6.65		
931	16.44	14.38	7.15		
981	16.94	14.88	7.65		

		TOLERANCES UNLESS SPECIFIED		LEESON		ELECTRIC MOTORS GEARMOTORS AND DRIVES		DRAWN HLB 05-29-2002	
		DEC.	INCHES					CHK	ML 05-31-2002
3	COND. BOX INSTALLED VIEW UPDATED PER ECR-0044571	UD	10/15/13	ST	.X	±.1	TITLE OUTLINE - 'C' FACE 56 FR. - EXP. PR.	APPD	SAS 05-31-2002
2	REVISED C'BOX PER CN 40784A	JJB	02/26/2007	ML	.XX	±.03		SCALE	1=2
1	NEW DRAWING	HLB	05-31-2002		.XXX	±.005		REF	
NO.	REVISION	BY & DATE		CHK	.XXXX	±.0005	MAT'L.	FMF	
				ANG		±1/2'	FINISH	PREV	
THIS DRAWING IN DESIGN AND DETAIL IS OUR PROPERTY AND MUST NOT BE USED EXCEPT IN CONNECTION WITH OUR WORK ALL RIGHTS OF DESIGN AND INVENTION ARE RESERVED THIS IS AN ELECTRONICALLY GENERATED DOCUMENT - DO NOT SCALE THIS PRINT				RFP	CAD FILE 104191LE			SIZE	DRAWING NO. PAGE OF REV.
				DIST	WP			B	104191LE 3

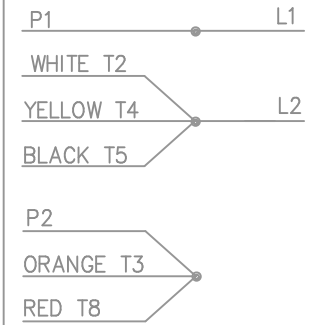


HIGH VOLTAGE - C.C.W.

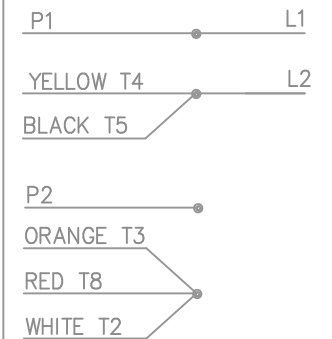


DUAL VOLTAGE CAPACITOR START OVERLOAD SELECT ROT.

LOW VOLT. - C.C.W. ROT.



HIGH VOLT. - C.C.W. ROT.



FOR C.W. ROTATION
EITHER VOLTAGE
INTERCHANGE RED(T8)
WITH BLACK(T5) LEAD

				TOLERANCES UNLESS SPECIFIED		ELECTRIC MOTORS GEARMOTORS AND DRIVES TITLE CONNECTION DIAGRAM MAT'L. FINISH	DRAWN MJD 02-11-1998			
				DEC.	INCHES		CHK ML 02-19-1998			
				.X	± -		APPD DAR 02-23-1998			
				.XX	± -		SCALE 5=8			
				.XXX	± -		REF			
				.XXXX	± -	FMF				
NO.	REVISION	BY & DATE	CHK	ANG	± -	PREV				
THIS DRAWING IN DESIGN AND DETAIL IS OUR PROPERTY AND MUST NOT BE USED EXCEPT IN CONNECTION WITH OUR WORK ALL RIGHTS OF DESIGN AND INVENTION ARE RESERVED THIS IS AN ELECTRONICALLY GENERATED DOCUMENT - DO NOT SCALE THIS PRINT				RFP	CAD FILE 102005-109		SIZE A	DRAWING NO. 102005-109LE	PAGE OF	REV. 0
				DIST	WP					



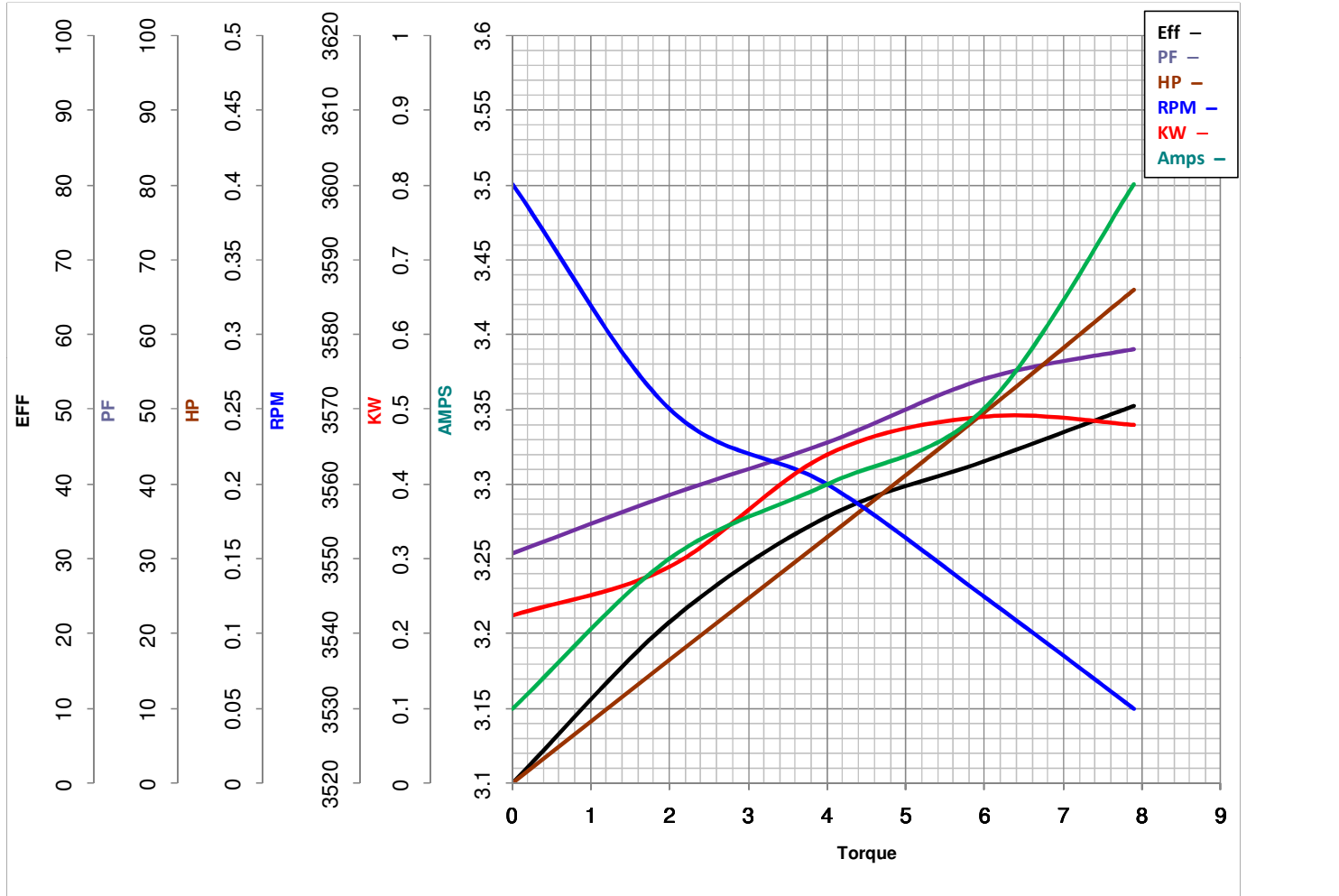
LEESON ELECTRIC CORPORATION
 TYPICAL PERFORMANCE CURVE for AC MOTOR

Model No 116605.00

Catalog No 116605.00

Curve at 230 Volts HP 0.33 PHASE 1
60 HZ
0.33 HP VOLTS 115/208-230

HZ 60 RPM 3450



Torque in Oz.Ft

FL TORQUE 7.9 Oz.Ft
 BD TORQUE 37.5 Oz.Ft
 LR TORQUE 46 Oz.Ft

FL AMPS 7/3.2-3.5
 PU TORQUE 35.2 Oz.Ft
 LR AMPS 24.8

WINDING ZC280-3

Date 5/2/2018