

PRODUCT INFORMATION PACKET



Model No: A6T17EB22F

Catalog No: 111932.00

..1/3HP..1725RPM.56.EPNV.V.3PH.60HZ.CONT.40C.1.0SF.RIGID.A6T17EB22F.....EXPLOSION-
PROOF.AUTOMATIC.....

Explosion Proof



Regal and Leeson are trademarks of Regal Beloit Corporation or one of its affiliated companies.

©2018 Regal Beloit Corporation, All Rights Reserved. MC017097E



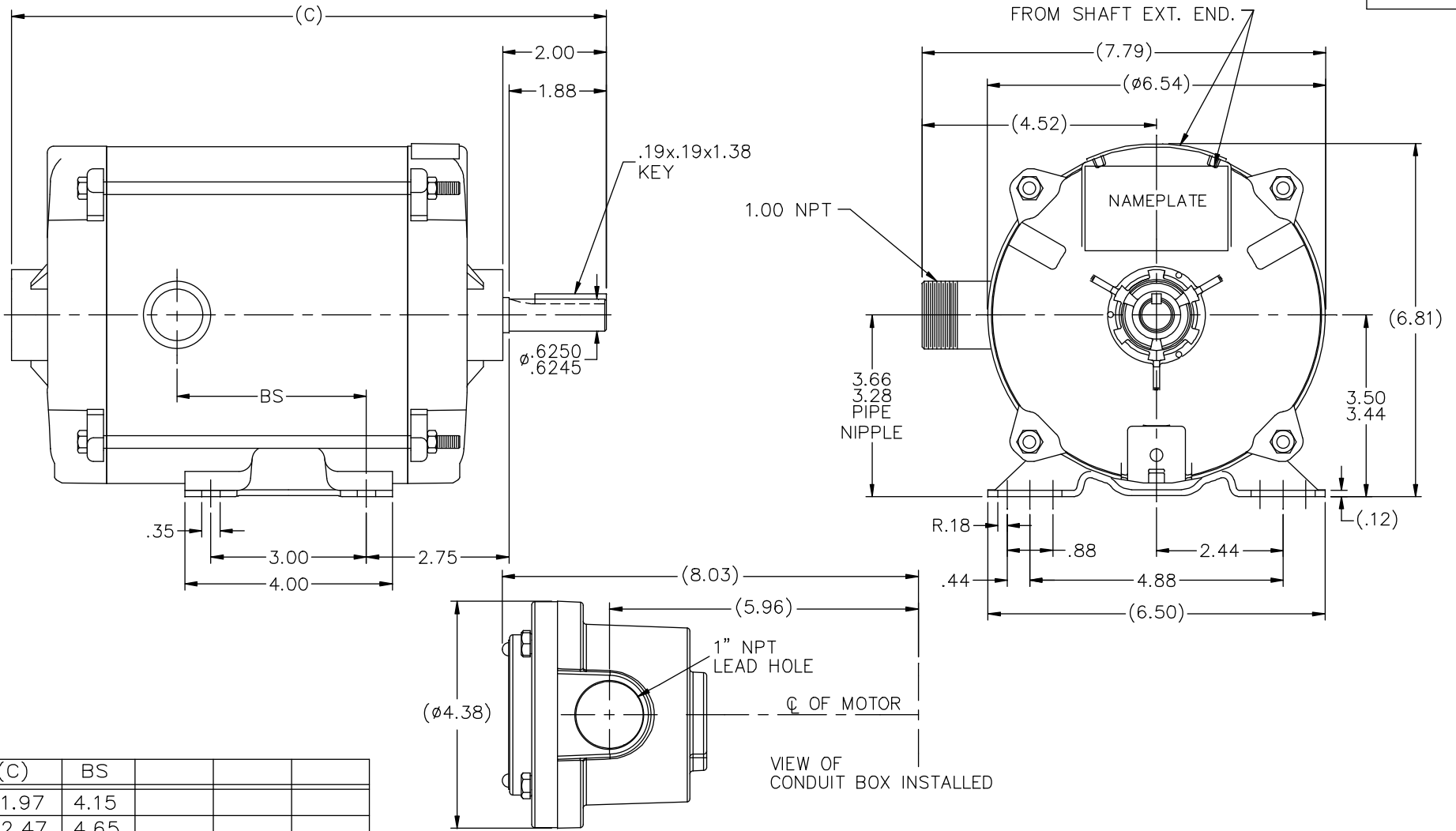


Nameplate Specifications


Output HP	0.33 Hp	Output KW	0.25 kW
Frequency	60 Hz	Voltage	208-230/460 V
Current	1.2-1.2/0.60 A	Speed	1725 rpm
Service Factor	1	Phase	3
Efficiency	74.5 %	Duty	Continuous
Insulation Class	B	Design Code	B
KVA Code	K	Frame	56
Enclosure	Explosion Proof Non Ventilated	Overload Protector	Automatic
Ambient Temperature	40 °C	Drive End Bearing Size	6203
Opp Drive End Bearing Size	6203	UL	Recognized
CSA	Y	CE	N
IP Code	54		

Technical Specifications

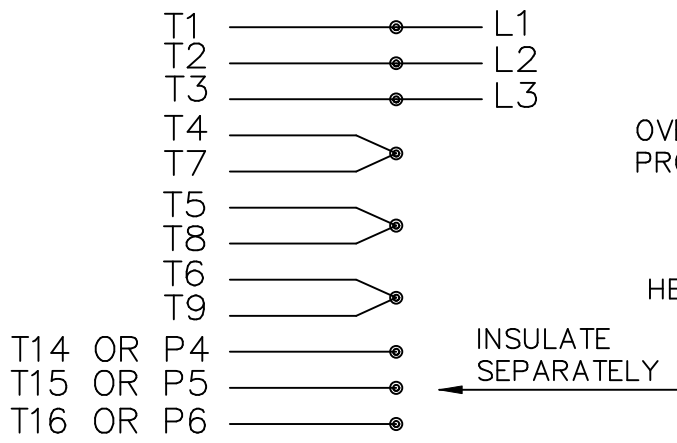
Electrical Type	Squirrel Cage Induction Run	Starting Method	Across The Line
Poles	4	Rotation	Reversible
Mounting	Rigid base	Motor Orientation	HORIZONTAL
Drive End Bearing	BALL	Opp Drive End Bearing	BALL
Frame Material	Rolled Steel	Shaft Type	NEMA 56
Overall Length	11.97 in	Frame Length	6.31 in
Shaft Diameter	0.625 in	Shaft Extension	1.88 in
Assembly/Box Mounting	F1 ONLY		
Outline Drawing	B-104196LE-631	Connection Diagram	A-EE7335-LE



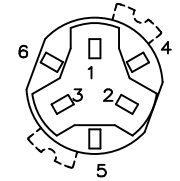
DASH	(C)	BS		
631	11.97	4.15		
681	12.47	4.65		
731	12.97	5.15		
781	13.47	5.65		
831	13.97	6.15		
881	14.47	6.65		
931	14.97	7.15		
981	15.47	7.65		

		TOLERANCES UNLESS SPECIFIED		 ELECTRIC MOTORS GEARMOTORS AND DRIVES		DRAWN RJW 06-22-2007	
		DEC.	INCHES			CHK	ML 06-22-2007
		.X	±.1			APPD	GK 06-22-2007
		.XX	±.03				SCALE 17=32
		.XXX	±.005			REF	
1	COND. BOX INSTALLED VIEW UPDATED PER ECR-0044571	UD	10/15/13	ST	.XXXX ±.0005	MAT'L.	
NO.	REVISION	BY & DATE	CHK	ANG	±7'30"	FINISH	PREV
THIS DRAWING IN DESIGN AND DETAIL IS OUR PROPERTY AND MUST NOT BE USED EXCEPT IN CONNECTION WITH OUR WORK ALL RIGHTS OF DESIGN AND INVENTION ARE RESERVED THIS IS AN ELECTRONICALLY GENERATED DOCUMENT - DO NOT SCALE THIS PRINT				RFP	06-22-2007	CAD FILE	104196LE
				DIST	WP	SIZE	DRAWING NO. PAGE OF REV.
						B	104196LE 1

HIGH VOLTAGE CONNECTIONS

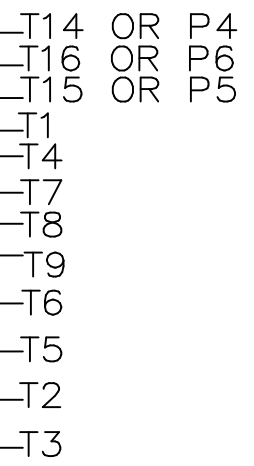
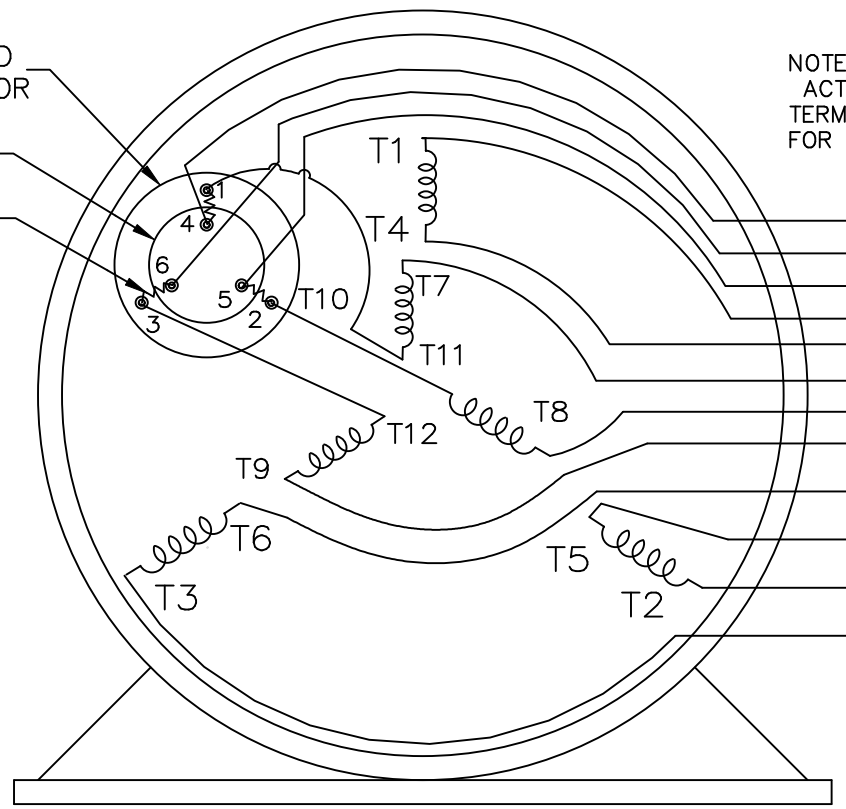


THREE PHASE – DUAL VOLTAGE MOTOR WITH OVERLOAD PROTECTOR

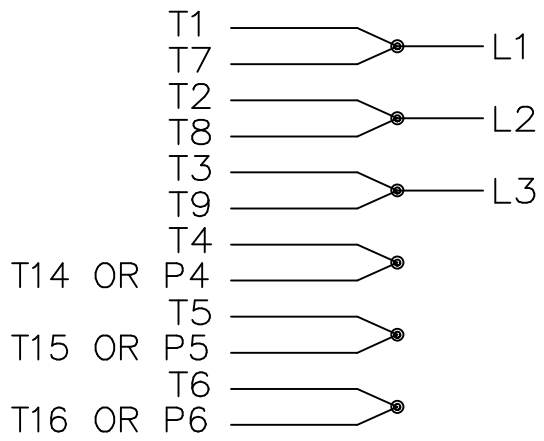


NOTE:
 ACTUAL PROTECTORS
 TERMINAL LOCATIONS
 FOR LEAD CONNECTIONS

OVERLOAD PROTECTOR
 DISC
 HEATER



LOW VOLTAGE CONNECTIONS



VIEW OF TERMINAL END

T2K
 T4D
 T6AN

				TOLERANCES UNLESS SPECIFIED		ELECTRIC MOTORS GEARMOTORS AND DRIVES	DRAWN NJS 04-20-2005			
				DEC.	INCHES		CHK ML 04-20-2005			
				.X	± -		APPD MJS 04-20-2005			
				.XX	± -		SCALE			
				.XXX	± -		REF			
				.XXXX	± -	MAT'L.				
NO.	REVISION	BY & DATE	CHK	ANG	± -	FINISH	PREV			
THIS DRAWING IN DESIGN AND DETAIL IS OUR PROPERTY AND MUST NOT BE USED EXCEPT IN CONNECTION WITH OUR WORK ALL RIGHTS OF DESIGN AND INVENTION ARE RESERVED THIS IS AN ELECTRONICALLY GENERATED DOCUMENT - DO NOT SCALE THIS PRINT				RFP	04-20-2005	CAD FILE EE7335_LE	SIZE A	DRAWING NO. EE7335-LE	PAGE OF	REV.
				DIST	WP					



P.O. BOX 8003
WAUSAU, WI 54401-8003
PH. 715-675-3311

DATA VOLTS: 460

CERTIFICATION DATA SHEET

CONN. DIAGRAM: A-EET7335-LE
OUTLINE: B-104196LE-631
WINDING: ZT493

R6 3

CAT #: 111992.00

TYPICAL MOTOR PERFORMANCE DATA

HP	KW	SYNC RPM	FL RPM	FRAME	ENCLOSURE	TYPE	KVA CODE	DESIGN	
0.33	0.25	1800	1725	56	EPNV	TTR	K	B	
PH	HZ	VOLTS	AMPS	START TYPE	DUTY	INSL	S.F.	AMB	ELEV.
3	60/50	208-230/460#190/380	1.2-1.2/.68 1.1/.56	ACROSS THE LINE	CONT	B	1.15	40	3300
	F.L. EFF	74.5	3/4 LD EFF	72.5	1/2 LD EFF	67.5	GTD EFF		ELECT. TYPE
	F.L. PF	71.0	3/4 LD PF	64.0	1/2 LD PF	52.0	71.5		SO CAGE IND RUN
	F.L. TORQUE	LR AMPS @ 460 V	L.R. TORQUE		B.D. TORQUE		F.L. RISE (°C)		
	1.00 LB-FT	3.6	3.0 LB-FT	300%	3.8 LB-FT	380%	35		
	PRESSURE @ 3 DBA	POWER DBA	ROTOR WK²	MAX. LOAD WK²	SAFE STALL TIME	STARTS/HOUR	MOTOR WGT		
	60	69	0.04 LB-FT²	2 LB-FT²	15 SEC.	2	21 LB.		

*** SUPPLEMENTAL INFORMATION ***

DE BRACKET TYPE	ODE BRACKET TYPE	MOUNT TYPE	MOTOR ORIENTATION	SEVERE DUTY	HAZARDOUS LOCATION	DRIIP COVER	SCREENS	PAINT
STANDARD	STANDARD	RIGID	HORIZONTAL	NO	DEF CL I GR C&D CL II GR	NO	NONE	JE - LEESON (ENAM)
BEARINGS DE	ODE	GREASE	SHAFT TYPE	SPECIAL DE	SPECIAL ODE	SHAFT	MATERIAL	FRAME MATERIAL
BALL BALL 6203	POLYREX EM 6203		STANDARD 56	NONE	NONE	1144 STRESSPROOF (C-223)		ROLLED STEEL

THERMOSTATS	PROTECTORS	WDG RTD's	BRG RTD's	THERMISTORS	CONTROL	SPACE HEATERS
NONE	AUTOMATIC	NONE	NONE	NONE	FALSE	NA
R1 (ohms/ph)	R2 (ohms/ph)	X1 (ohms/ph)	X2 (ohms/ph)	Xm (ohms/ph)	VIBRATION (in/sec)	FLOAT ODE
34.572	24.08	36.55	24.252	675.96	0.150	

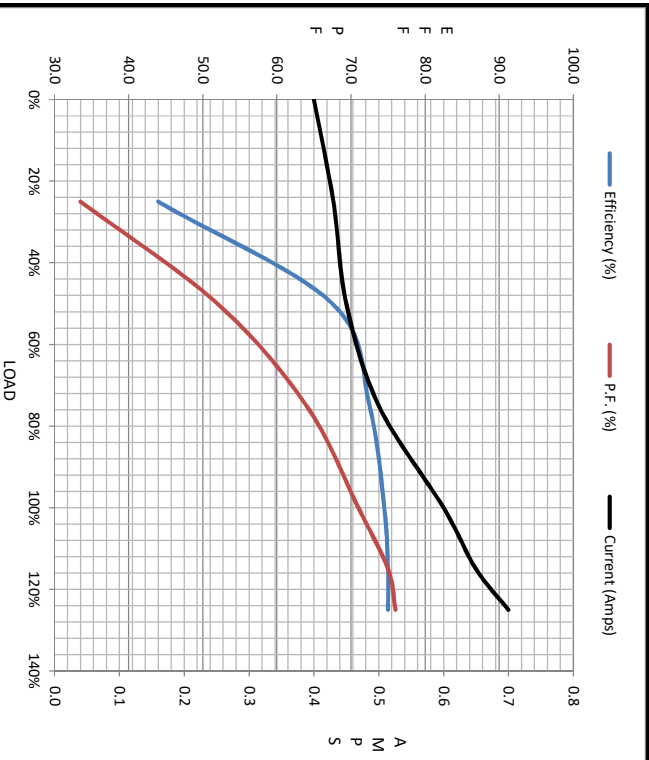
* N O T E S	INVERTER TORQUE: NONE INV. HP SPEED RANGE: NONE	
	ENCODER: NONE	
	BRAKE: NONE	
	FT-LB: NA	
	VOLTAGE: NONE	
	HZ: NONE	

DATE: 1/24/2018	UL: Y-(LEESON UL REC)
-----------------	-----------------------



Motor Load Data						
Load	0%	25%	50%	75%	100%	LR
Current (Amps)	0.40	0.43	0.45	0.50	0.60	3.6
Torque (ft-lb)	0.00	0.20	0.50	0.75	1.00	3.0
RPM	1800	1780	1750	1735	1725	0
Efficiency (%)		44.0	67.5	72.5	74.5	
P.F. (%)	21.0	33.5	52.0	64.0	71.0	74.5

Motor Speed Data						Information Block																					
	LR	Pull-Up	BD	Rated	Idle	HP	Sync. RPM	Frame	Enclosure	Construction	Voltage	Frequency	Design	LR Code letter	Service Factor	Temp Rise @ FL	Duty	Ambient	Elevation	Rotor/Shaft wk ²	Ref Wdg	Sound Pressure @ 1M	VFD Rating	Outline Dwg	Conn. Diag	Additional Specifications:	
Speed (RPM)	0	320	1300	1725	1800	0.3	1800	56	EPNV	TTR	208-230/460#190/380	60	B	K	1.15	35	CONT	40 °C	1,000	0.04	Z1493 R6	60	NONE	B-104196LE-631	A-EE7335-LE		
Current (Amps)	3.6	3.5	2.50	0.60	0.40																						
Torque (ft-lb)	3.0	2.90	3.8	1.00	0.00																						



EQUIV CKT (OHMS / PHASE)			
R1	R2	X1	Xm
34.5720	24.0800	36.5500	24.2920
675.9600			

