



Roller Chain & Sprockets



Rubber Top Roller Chain Catalog

USARollerChain.com

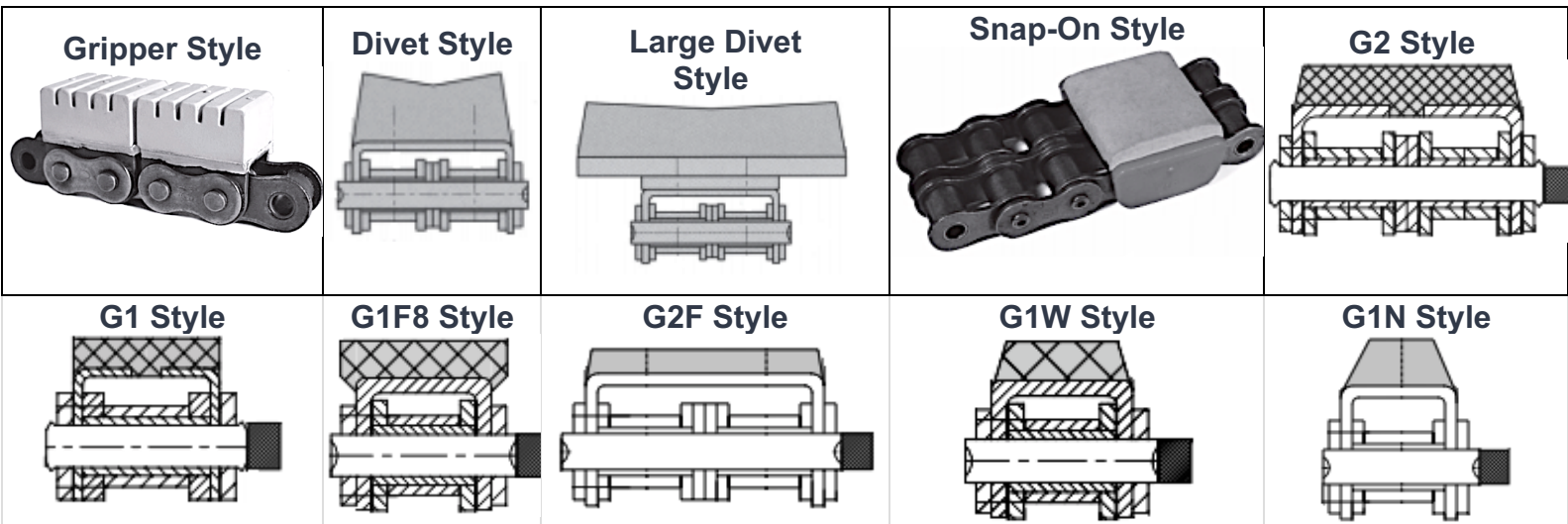
Rubber top roller chains are found throughout the industry in wood processing, glass, synthetic panels, and more applications. Our line of Metric and ANSI rubber top roller chains utilize premium quality rubber and high strength steel.

Material Options:

Rubber Grade	Shore Hardness	Temperature Range	Oil/ Grease Resistance	UV Resistance
Natural Rubber	75+ / -5	-10° - +70° C	Poor	Poor
Nitrile Rubber	75+ / -5	-10° - +120° C	Excellent	Fair
Neoprene Rubber	75+ / -5	-10° - +80° C	Fair	Excellent

Rubber Top Chain Styles

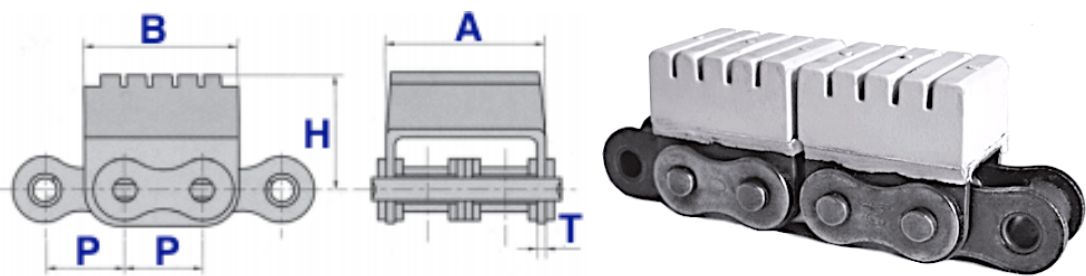
Different profiles on rubber top roller chains are utilized in different types of applications. The below chart shows all of the "standard" rubber top roller chain styles but custom OEM options are also available upon request.



Non-Marking Roller Chain



Gripper Style Rubber Top Roller Chains

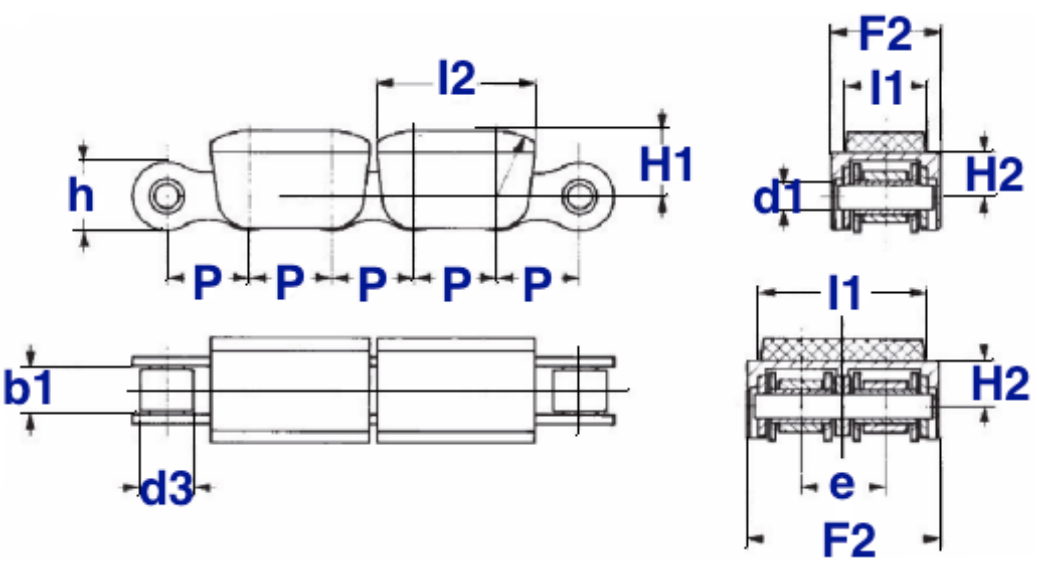


Available in ANSI sizes 40 - 80 and ISO sizes 08B - 16B

Dimensions in millimeters

Size	Chain Width	(H)	(h)	(B)	(T)
60-2	53.00	33.80	45.56	34.87	2.00

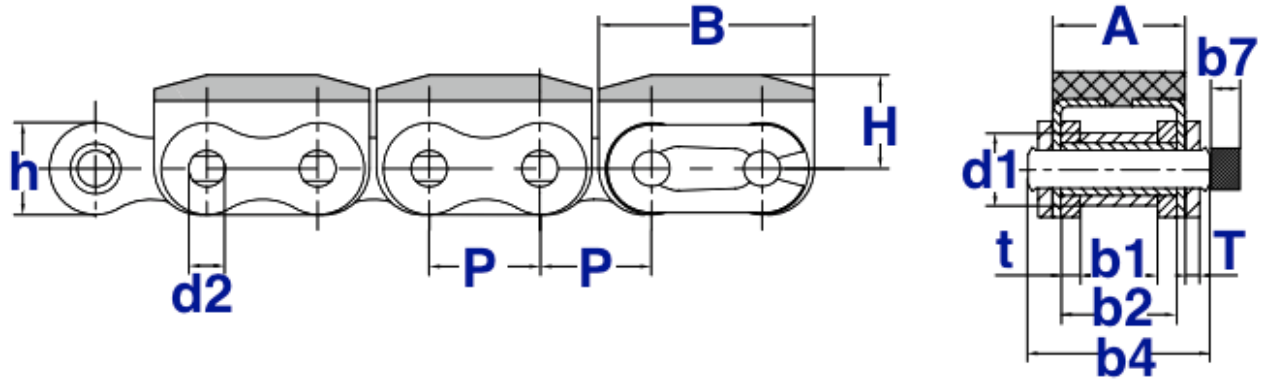
Snap-On Style Rubber Top Roller Chains



Dimensions in millimeters

Size	(p)	(b1)	(d1)	(d3)	(e)	(h)	(I1)	(I2)	(H1)	(H2)	(F2)	(f) cm ²	Weight (kG/ M)
08B-1CLIP	12.7	7.75	4.45	8.51	--	11.8	14.0	24.2	12.3	8.3	20.0	0.50	0.85
08B-2CLIP	12.7	7.75	4.45	8.51	13.92	11.8	28.0	24.2	12.3	8.3	33.5	1.01	1.60
10B-1CLIP	15.875	9.65	5.08	10.16	--	14.7	15.5	30.5	15.0	10.0	21.5	0.67	1.15
10B-2CLIP	15.875	9.65	5.08	10.16	16.59	14.7	32.0	30.5	15.0	10.0	38.5	1.34	2.18
12B-1CLIP	19.05	11.68	5.72	12.06	--	16.1	19.0	37.0	16.0	11.0	25.0	0.89	1.50
12B-2CLIP	19.05	11.68	5.72	12.06	19.46	16.1	39.5	37.0	16.0	11.0	44.5	1.79	2.90
16B-1CLIP	25.4	17.02	8.28	15.88	--	21.0	33.0	49.0	21.4	15.4	39.0	2.10	3.25
16B-2CLIP	25.4	17.02	8.28	15.88	31.88	21.0	65.0	49.0	21.4	15.4	71.0	4.21	6.35
20B-1CLIP	31.75	19.56	10.19	19.05	--	26.4	36.0	61.5	25.0	19.0	44.0	2.96	4.30
20B-2CLIP	31.75	19.56	10.19	19.05	36.45	26.4	72.5	61.5	25.0	19.0	80.5	5.91	8.40

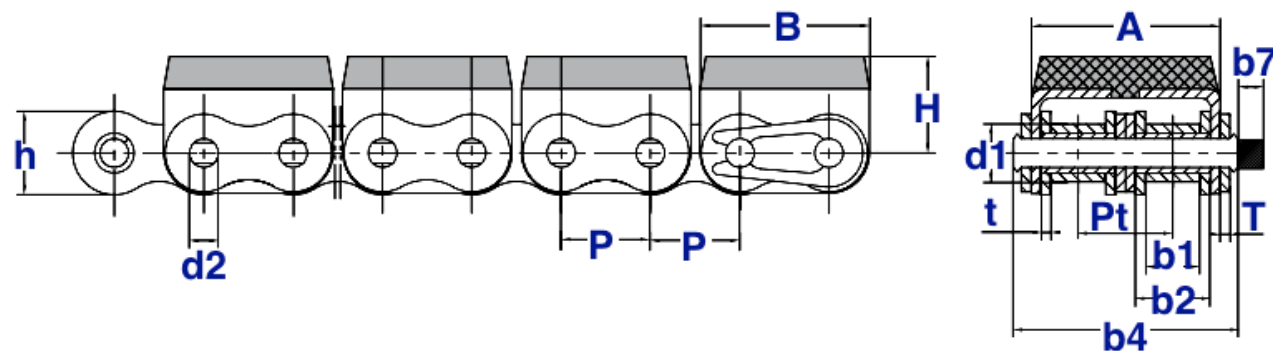
G1 Style Rubber Top Roller Chain



Dimensions in millimeters

Size	(P)	(b1)	(d1)	(d2)	(b4)	(b7)	(b2)	(t)	(T)	(h)	(A)	(B)	(H)
16B	25.40	17.02	15.88	8.28	39.70	5.40	25.45	4.15	3.10	21.08	29.10	49.00	21.40

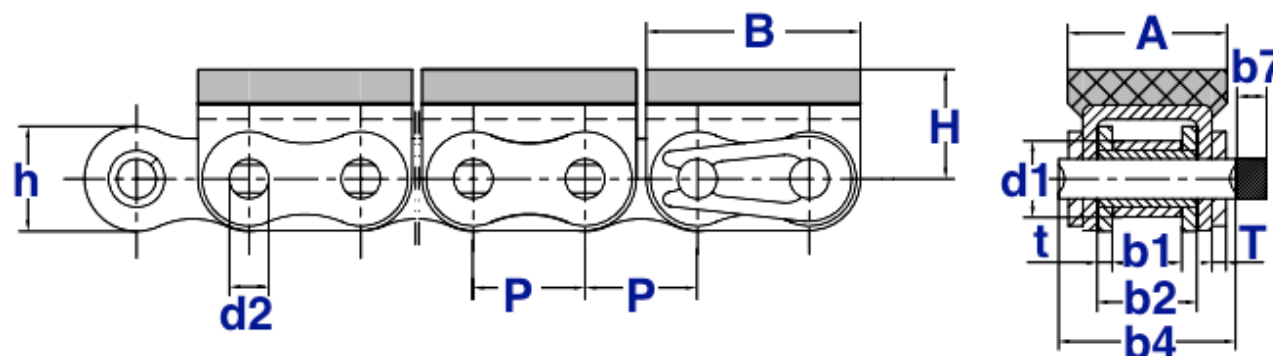
G2 Style Rubber Top Roller Chain



Dimensions in millimeters

Size	(P)	(b1)	(d1)	(d2)	(b4)	(b7)	(b2)	(t)	(T)	(h)	(Pt)	(A)	(B)	(H)
10B-2	15.875	9.65	10.16	5.08	39.70	4.10	13.28	1.70	1.70	14.73	16.59	33.30	30.00	17.00
12B-2	19.05	11.68	12.07	5.72	46.00	4.60	15.62	1.85	1.85	16.13	19.46	39.20	36.00	16.00

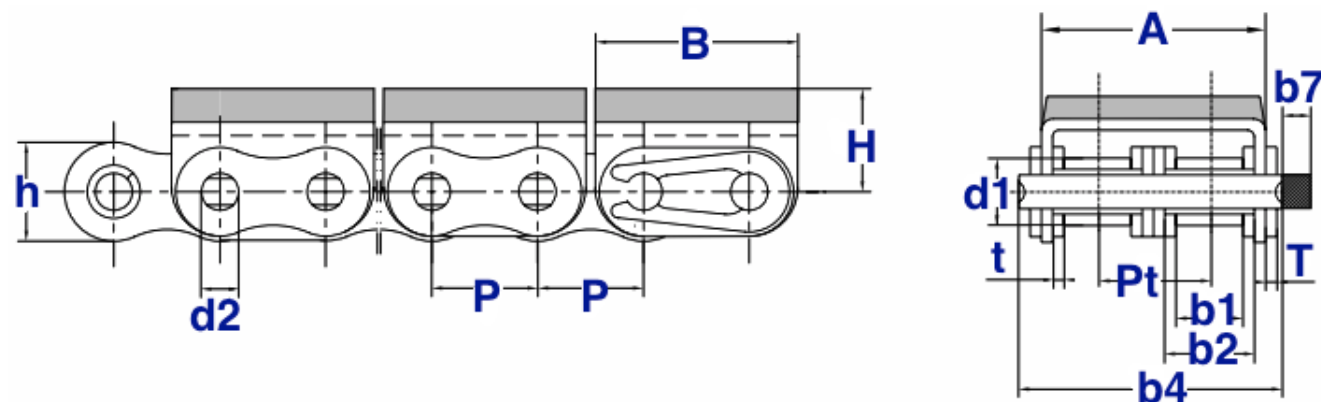
G1F8 Style Rubber Top Roller Chain



Dimensions in millimeters

Size	(P)	(b1)	(d1)	(d2)	(b4)	(b7)	(b2)	(t)	(T)	(h)	(A)	(B)	(H)
08B	12.70	7.75	8.51	4.45	20.00	3.00	11.30	1.60	1.60	11.81	18.00	24.20	12.30

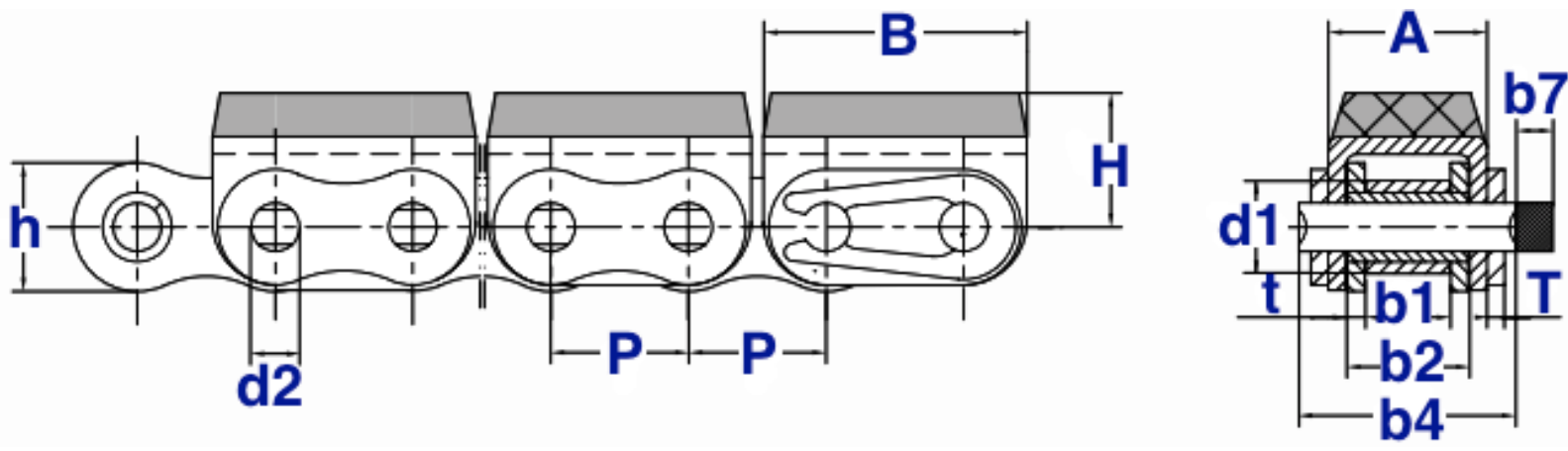
G2F Style Rubber Top Roller Chain



Dimensions in millimeters

Size	(P)	(b1)	(d1)	(d2)	(b4)	(b7)	(b2)	(t)	(T)	(h)	(A)	(B)	(H)
08B	12.70	7.75	8.51	4.45	34.30	3.90	11.30	1.60	1.60	11.81	28.40	24.20	12.30

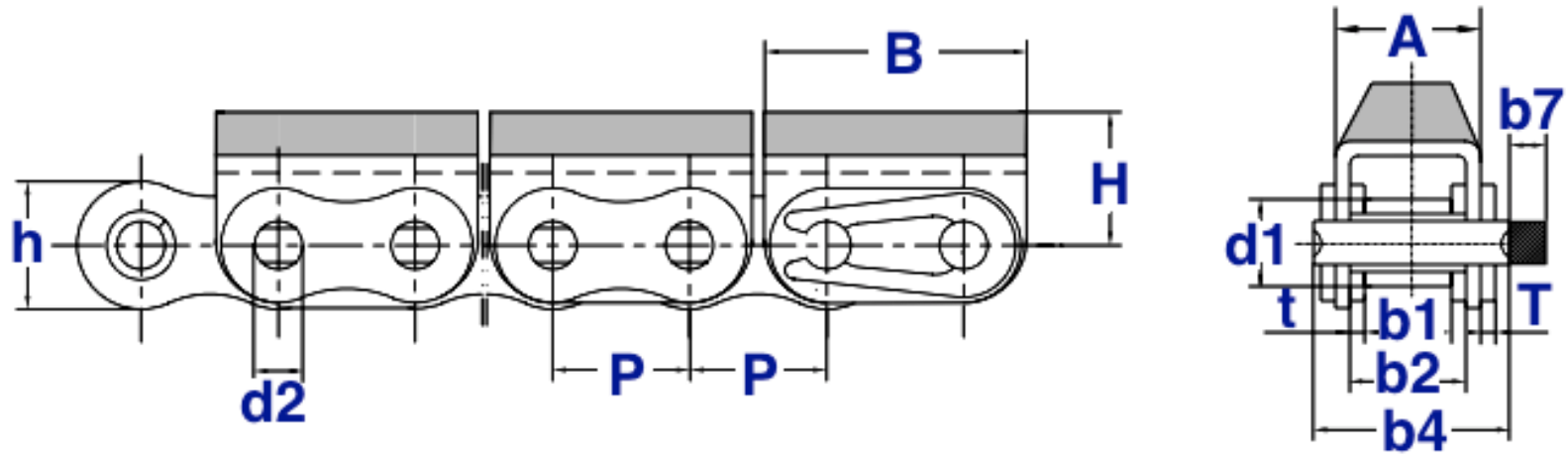
G1W Style Rubber Top Chain



Dimensions in millimeters

Size	(P)	(b1)	(d1)	(d2)	(b4)	(b7)	(b2)	(t)	(T)	(h)	(A)	(B)	(H)
08B	12.70	7.75	8.5	4.45	20.00	3.90	11.30	1.60	1.60	11.81	14.60	24.20	12.30
12B	19.05	11.68	12.07	5.72	26.50	4.60	15.62	1.85	1.85	16.13	19.60	36.00	21.00
80	25.40	15.75	15.88	7.94	38.00	5.40	22.60	3.10	3.10	24.13	27.50	46.00	21.40
C20B	31.75	19.56	19.05	10.19	48.50	6.10	29.01	4.50	3.50	26.42	36.30	58.00	27.00

G1N Style Rubber Top Chain

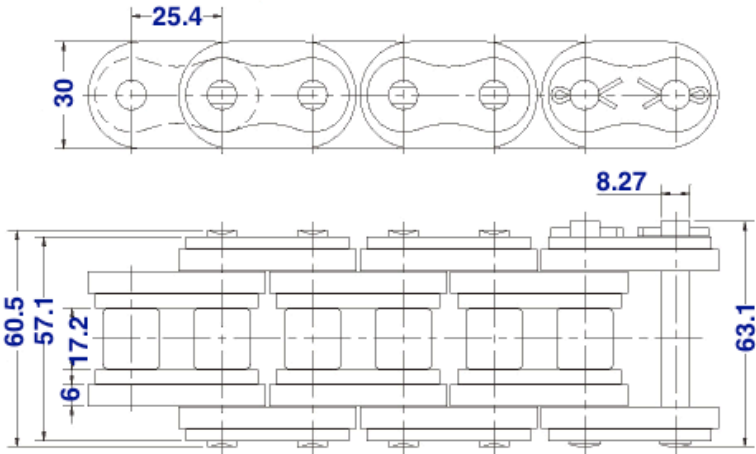


Dimensions in millimeters

Size	(P)	(b1)	(d1)	(d2)	(b4)	(b7)	(b2)	(t)	(T)	(h)	(A)	(B)	(H)
10B	18.875	9.65	10.16	5.08	23.20	4.10	13.28	1.70	1.70	14.73	16.80	30.00	17.00
16B	25.40	17.02	15.88	8.28	39.20	5.40	25.45	4.15	3.10	21.08	29.10	49.00	21.40
24B	38.10	25.40	25.40	14.63	61.60	6.60	37.92	6.00	4.80	33.40	47.00	72.60	34.00

Non-Marking Roller Chain Sizes

16B-M-JLP-EL



16B-M-JLP-E2LR

