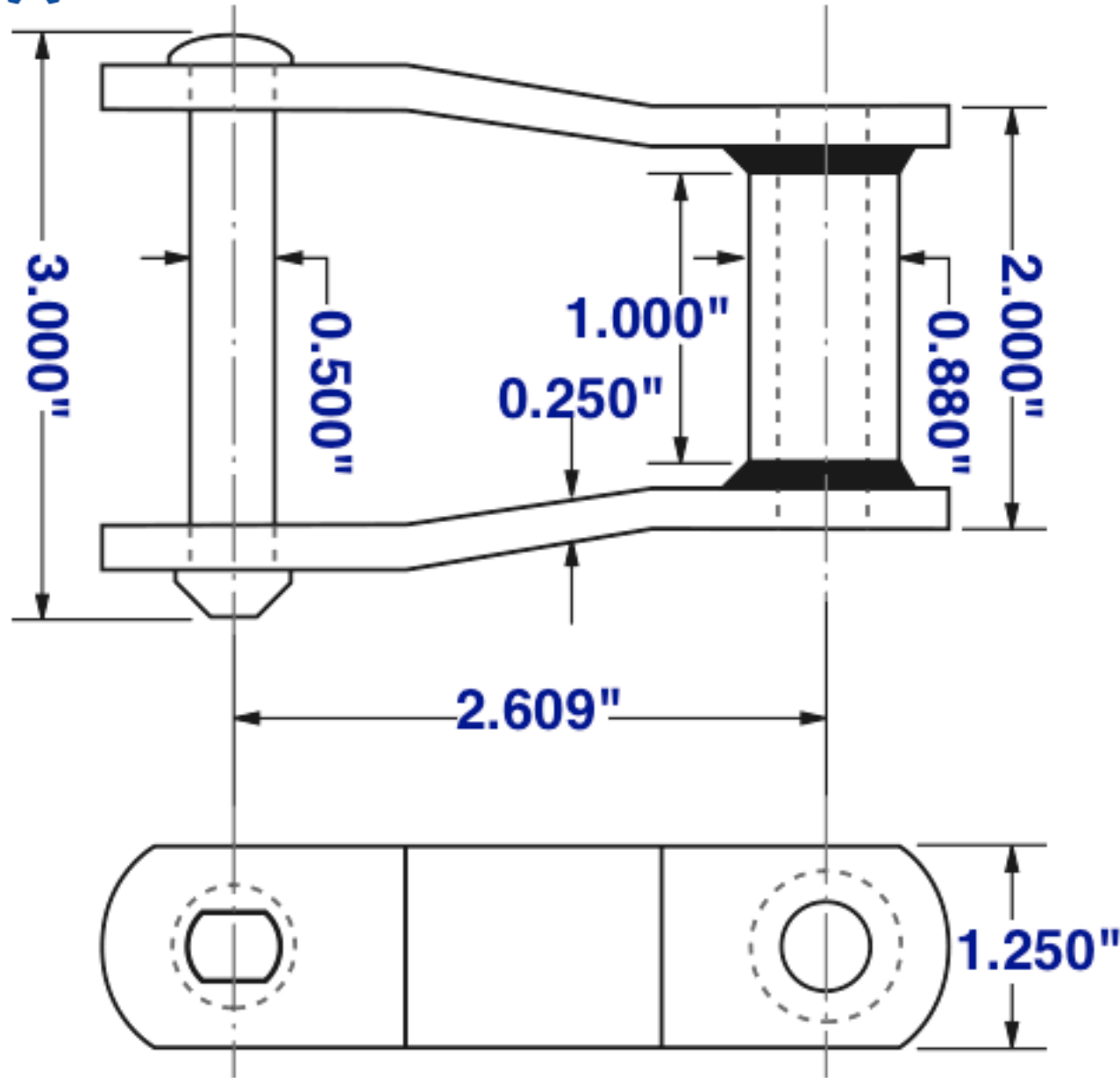




Roller Chain & Sprockets



WH78 FULLY HEAT-TREATED WELDED STEEL CHAIN
TENSILE STRENGTH: 33,000
BREAKING LOAD: 3,500